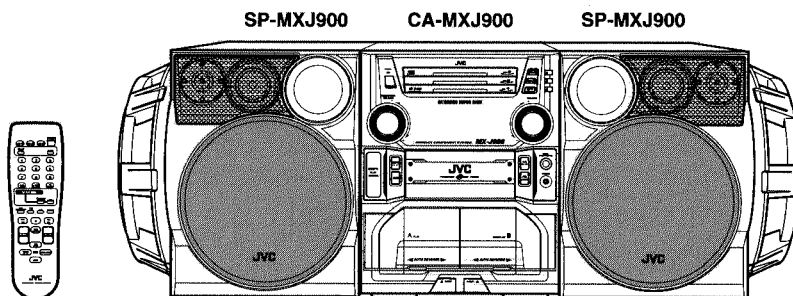


JVC

SERVICE MANUAL

COMPACT COMPONENT SYSTEM

MX-J900 MX-J950R



Area Suffix	
J	U.S.A.
C	Canada
B	U.K.
E	Continental Europe
EN	Northern Europe
U	Other Areas

This Illustration is MX-J900

COMPACT
disc
DIGITAL AUDIO



Only MX-J950R(B/E/EN)

Each difference point

Model	CD/DECK/RECEIVER	SPEAKER	RDS	MIC	Packing method
MX-J900(J/C)	CA-MXJ900	SP-MXJ900	—	—	together
MX-J900(U)	CA-MXJ900	SP-MXJ900	—	○	another
MX-J950R(B/E/EN)	CA-MXJ950R	SP-MXJ950R	○	—	another

Contents

Safety precautions	1-2	Flow of functional operation	
Important for laser products	1-3	until TOC read	2-29
Preventing static electricity	1-4	Maintenance of laser pickup	2-30
Precautions at disassembling		Replacement of laser pickup	2-30
and parts replacement	1-5	Description of major ICs	2-31
Instructions(CA-MXJ950R)(SP-MXJ950R)	1-6~16	Block diagrams	2-49
Disassembly method	2-1	Standard schematic diagrams	2-51
Adjustment method	2-24	Printed circuit boards	2-60~64
Diagnosis which uses		Parts list	3-1~33
extension wire method	2-28		

Safety Precautions

1. This design of this product contains special hardware and many circuits and components specially for safety purposes. For continued protection, no changes should be made to the original design unless authorized in writing by the manufacturer. Replacement parts must be identical to those used in the original circuits. Services should be performed by qualified personnel only.
2. Alterations of the design or circuitry of the product should not be made. Any design alterations of the product should not be made. Any design alterations or additions will void the manufacturer's warranty and will further relieve the manufacture of responsibility for personal injury or property damage resulting therefrom.
3. Many electrical and mechanical parts in the products have special safety-related characteristics. These characteristics are often not evident from visual inspection nor can the protection afforded by them necessarily be obtained by using replacement components rated for higher voltage, wattage, etc. Replacement parts which have these special safety characteristics are identified in the Parts List of Service Manual. Electrical components having such features are identified by shading on the schematics and by (Δ) on the Parts List in the Service Manual. The use of a substitute replacement which does not have the same safety characteristics as the recommended replacement parts shown in the Parts List of Service Manual may create shock, fire, or other hazards.
4. The leads in the products are routed and dressed with ties, clamps, tubings, barriers and the like to be separated from live parts, high temperature parts, moving parts and/or sharp edges for the prevention of electric shock and fire hazard. When service is required, the original lead routing and dress should be observed, and it should be confirmed that they have been returned to normal, after re-assembling.

5. Leakage current check (Electrical shock hazard testing)

After re-assembling the product, always perform an isolation check on the exposed metal parts of the product (antenna terminals, knobs, metal cabinet, screw heads, headphone jack, control shafts, etc.) to be sure the product is safe to operate without danger of electrical shock.

Do not use a line isolation transformer during this check.

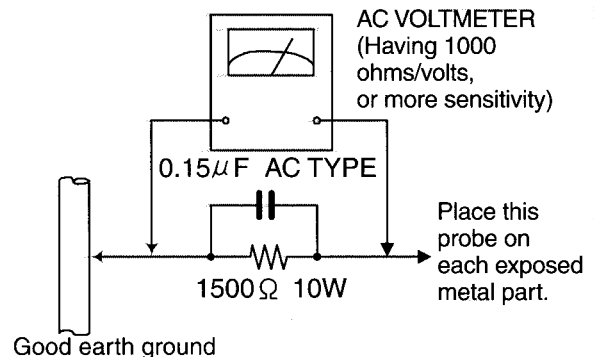
- Plug the AC line cord directly into the AC outlet. Using a "Leakage Current Tester", measure the leakage current from each exposed metal parts of the cabinet, particularly any exposed metal part having a return path to the chassis, to a known good earth ground. Any leakage current must not exceed 0.5mA AC (r.m.s.)

● Alternate check method

Plug the AC line cord directly into the AC outlet. Use an AC voltmeter having 1,000 ohms per volt or more sensitivity in the following manner. Connect a 1,500 Ω 10W resistor paralleled by a 0.15 μ F AC-type capacitor between an exposed metal part and a known good earth ground.

Measure the AC voltage across the resistor with the AC voltmeter.

Move the resistor connection to each exposed metal part, particularly any exposed metal part having a return path to the chassis, and measure the AC voltage across the resistor. Now, reverse the plug in the AC outlet and repeat each measurement. Voltage measured any must not exceed 0.75 V AC (r.m.s.). This corresponds to 0.5 mA AC (r.m.s.).



Warning

1. This equipment has been designed and manufactured to meet international safety standards.
2. It is the legal responsibility of the repairer to ensure that these safety standards are maintained.
3. Repairs must be made in accordance with the relevant safety standards.
4. It is essential that safety critical components are replaced by approved parts.
5. If mains voltage selector is provided, check setting for local voltage.

⚠ CAUTION Burrs formed during molding may be left over on some parts of the chassis. Therefore, pay attention to such burrs in the case of preforming repair of this system.

Important for laser products

1.CLASS 1 LASER PRODUCT

2.DANGER : Invisible laser radiation when open and inter lock failed or defeated. Avoid direct exposure to beam.

3.CAUTION : There are no serviceable parts inside the Laser Unit. Do not disassemble the Laser Unit. Replace the complete Laser Unit if it malfunctions.

4.CAUTION : The compact disc player uses invisible laser radiation and is equipped with safety switches which prevent emission of radiation when the drawer is open and the safety interlocks have failed or are defeated. It is dangerous to defeat the safety switches.

5.CAUTION : If safety switches malfunction, the laser is able to function.

6.CAUTION : Use of controls, adjustments or performance of procedures other than those specified herein may result in hazardous radiation exposure.

⚠ CAUTION Please use enough caution not to see the beam directly or touch it in case of an adjustment or operation check.

WARNING : Osynlig laserstrålning är denna del är öppnad och spårren är urkopplad. Betrakta ej strålen.

VARO : Avattaessa ja suojalukitus ohitettaessa olet allttiina näkymättömälle lasersäteilylle. Älä katso säteeseen.

ADVARSEL : Usynlig laserstrålning ved åbning , når sikkerhedsafbrydere er ude af funktion. Undgå udsættelse for stråling.

ADVARSEL : Usynlig laserstrålning ved åpning,når sikkerhetsbryteren er avslott. unngå utsettelse for stråling.

REPRODUCTION AND POSITION OF LABELS

WARNING LABEL

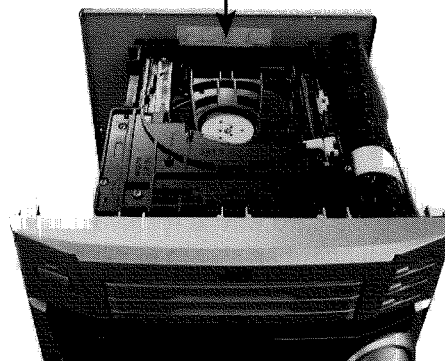
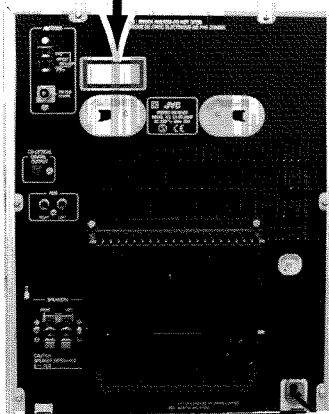
DANGER : Invisible laser radiation when open and interlock or defeated.
AVOID DIRECT EXPOSURE TO BEAM (e)

VARO : Avattaessa ja suojalukitus ohitettaessa olet allttiina näkymättömälle lasersäteilylle. Älä katso säteeseen. (d)

WARNING : Osynlig laserstrålning är denna del är öppnad och spårren är urkopplad. Betrakta ej strålen. (s)

ADVARSEL :Usynlig laserstrålning ved åbning , når sikkerhedsafbrydere er ude af funktion. Undgå udsættelse for stråling. (f)

**CLASS 1
LASER PRODUCT**



Preventing static electricity

1. Grounding to prevent damage by static electricity

Electrostatic discharge (ESD), which occurs when static electricity stored in the body, fabric, etc. is discharged, can destroy the laser diode in the traverse unit (optical pickup). Take care to prevent this when performing repairs.

2. About the earth processing for the destruction prevention by static electricity

In the equipment which uses optical pick-up (laser diode), optical pick-up is destroyed by the static electricity of the work environment.

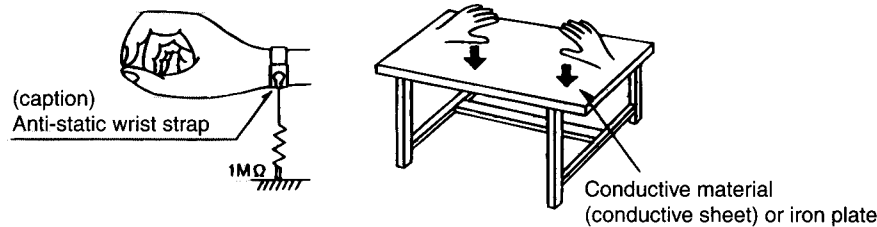
Be careful to use proper grounding in the area where repairs are being performed.

2-1 Ground the workbench

Ground the workbench by laying conductive material (such as a conductive sheet) or an iron plate over it before placing the traverse unit (optical pickup) on it.

2-2 Ground yourself

Use an anti-static wrist strap to release any static electricity built up in your body.



3. Handling the optical pickup

1. In order to maintain quality during transport and before installation, both sides of the laser diode on the replacement optical pickup are shorted. After replacement, return the shorted parts to their original condition. (Refer to the text.)

2. Do not use a tester to check the condition of the laser diode in the optical pickup. The tester's internal power source can easily destroy the laser diode.

4. Handling the traverse unit (optical pickup)

1. Do not subject the traverse unit (optical pickup) to strong shocks, as it is a sensitive, complex unit.

2. Cut off the shorted part of the flexible cable using nippers, etc. after replacing the optical pickup. For specific details, refer to the replacement procedure in the text. Remove the anti-static pin when replacing the traverse unit. Be careful not to take too long a time when attaching it to the connector.

3. Handle the flexible cable carefully as it may break when subjected to strong force.

4. It is not possible to adjust the semi-fixed resistor that adjusts the laser power. Do not turn it

Attention when traverse unit is decomposed

***Please refer to "Disassembly method" in the text for pick-up and how to detach the CD traverse mechanism.**

1. Remove the disk stopper and T. bracket on the CD changer mechanism assembly.

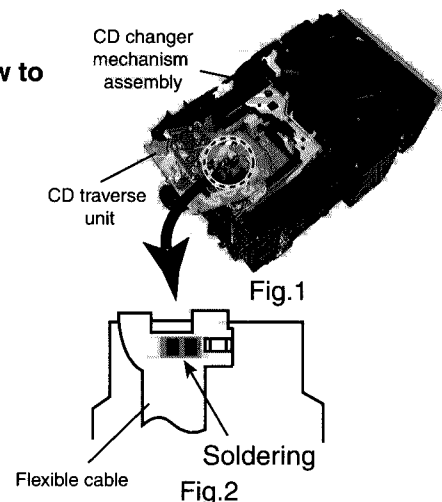
2. Disconnect the harness from connector on the CD motor board.

2. CD traverse unit is put up as shown in Fig.1.

3. Solder is put up before the card wire is removed from connector CN601 on the CD servo control board as shown in Fig. 2.

(When the wire is removed without putting up solder, the CD pick-up assembly might destroy.)

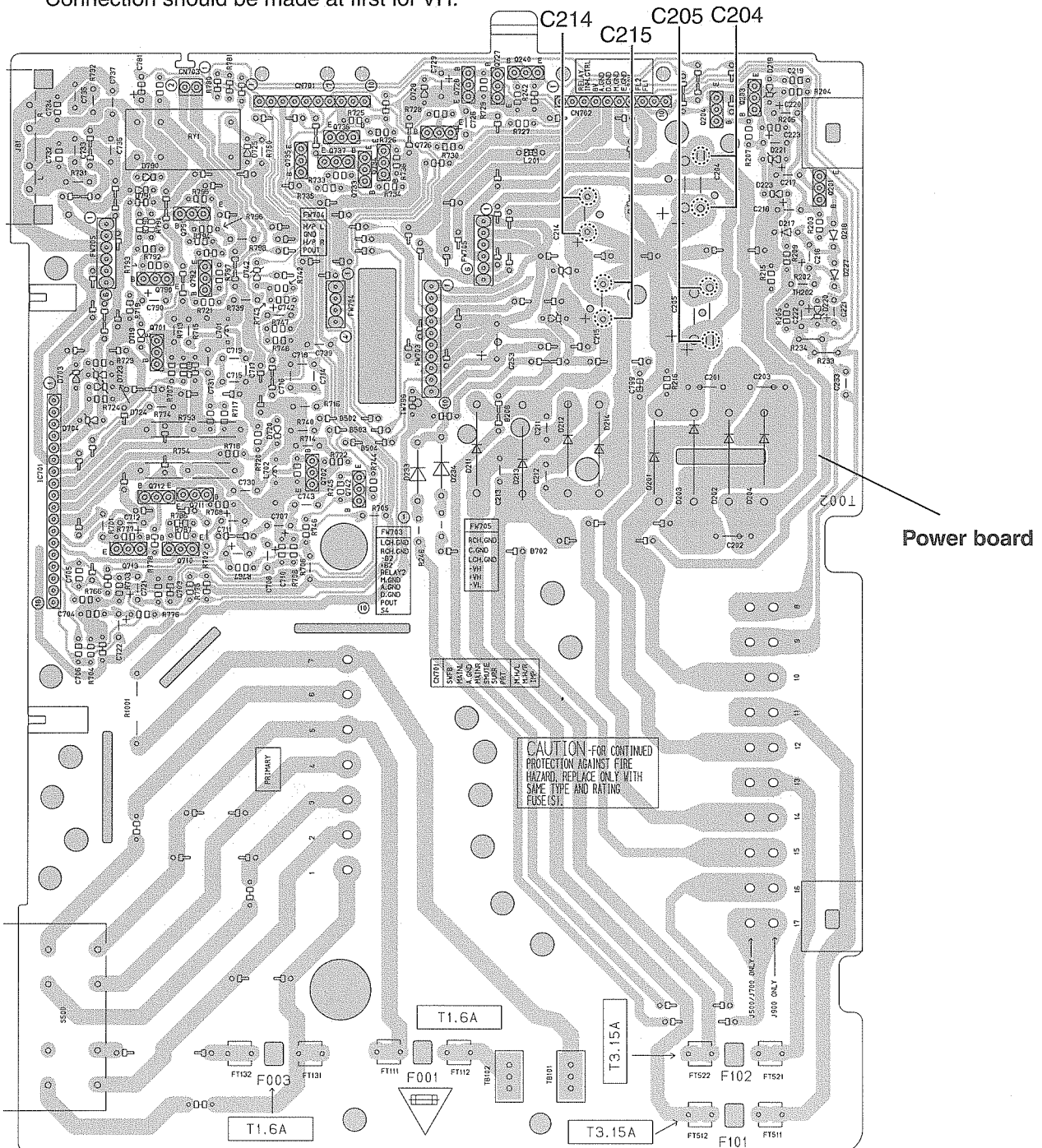
4. Please remove solder after connecting the card wire with CN601 when you install picking up in the substrate.



Precautions at disassembling and parts replacement

This model is charged with electricity on the power board even if the power cord is unplugged. Therefore, always discharge electricity in accordance with the steps given below before starting disassembling of the unit and/or replacement of parts.

1. While referring to the disassembling steps, remove the metal cover and the CD changer mechanism.
2. Set electrical resistances of 1kohm, 1/4W to the places between the + and - terminals of condensers VH(C204, C205) and VL(C214, C215) on the power board, and discharge electricity for 4 ~ 5 seconds. Connection should be made at first for VH.



MX-J900/MX-J950R

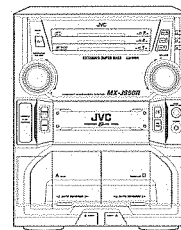
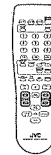
Instructions(CA-MXJ950R)

JVC

COMPACT COMPONENT SYSTEM
KOMPAKT-KOMPONENTEN-SYSTEM
SYSTEME DE COMPOSANTS COMPACT
KOMPACTO KOMPONENTEN-SYSTEEM
SISTEMAS DE COMPONENTES COMPACTOS
IMPIANTO A COMPONENTI COMPATTO

CA-MXJ950R

JVC
 VICTOR COMPANY OF JAPAN, LIMITED



COMPACT
disc
 DIGITAL AUDIO



INSTRUCTIONS
BEDIENUNGSANLEITUNG
MANUEL D'INSTRUCTIONS
GEbruIKSAANWIJZING
MANUAL DE INSTRUCCIONES
ISTRUZIONI

For Customer Use:
 Enter below the Model No. and Serial No. which are located either on the rear, bottom or side of the cabinet. Retain this information for future reference.

Model No. _____
 Serial No. _____

GVT0037-006A
 (E)

EN, GE, FR, NL, SP, IT

©2005MWMJWJEM

Warnings, Cautions and Others / Warnung, Achtung und sonstige Hinweise / Mises en garde, précautions et indications diverses / Waarschuwingen, voorzorgen en andere mededelingen / Avisos, precauciones y otras notas / Avvertenze e precauzioni da osservare

IMPORTANT for the U.K.
DO NOT cut off the mains plug from this equipment. If the plug fitted is not suitable for the power points in your home or the cable is too short to reach a power point, then obtain an appropriate safety approved extension lead or consult your dealer.
BE SURE to replace the fuse only with an identical approved type, as originally fitted.
 If nonetheless the mains plug is cut off ensure to remove the fuse and dispose of the plug immediately, to avoid a possible shock hazard by inadvertent connection to the mains supply.
 If this product is not supplied fitted with a mains plug then follow the instructions given below:
IMPORTANT:
DO NOT make any connection to the terminal which is marked with the letter E or by the safety earth symbol or coloured green or green-and-yellow.
 The wires in the mains lead on this product are coloured in accordance with the following code:
 Blue: Neutral
 Brown: Live
 As these colours may not correspond with the coloured markings identifying the terminals in your plug proceed as follows:
 The wire which is coloured blue must be connected to the terminal which is marked with the letter N or coloured black.
 The wire which is coloured brown must be connected to the terminal which is marked with the letter L or coloured red.
IF IN DOUBT - CONSULT A COMPETENT ELECTRICIAN.

Per Italia:
 "Si dichiara che il questo prodotto di marca JVC è conforme alle prescrizioni del Decreto Ministeriale n. 548 del 28/09/95 pubblicato sulla Gazzetta Ufficiale della Repubblica Italiana n.301 del 28/12/95."

CAUTION
 To reduce the risk of electrical shocks, fire, etc.:

1. Do not remove covers, covers or cabinet.
2. Do not expose this appliance to rain or moisture.

ACHTUNG
 Zur Verhinderung von elektrischen Schlägen, Brandgefahr, usw.:

1. Keine Schrauben lösen oder Abdeckungen entfernen und das Gehäuse nicht öffnen.
2. Dieses Gerät weder Regen noch Feuchtigkeit aussetzen.

ATTENTION
 Afin d'éviter tout risque d'électrocution, d'incendie, etc.:

1. Ne pas enlever les vis ni les panneaux et ne pas ouvrir le coffret de l'appareil.
2. Ne pas exposer l'appareil à la pluie ni à l'humidité.

VOORZICHTIG
 Ter vermindering van gevaar voor brand, elektrische schokken, enz.:

1. Verwijder geen schroeven, panelen of de behuizing.
2. Stel het toestel niet bloot aan regen of vocht.

PRECAUCIÓN
 Para reducir riesgos de choques eléctricos, incendio, etc.:

1. No extraiga los tornillos, los cubiertas ni la caja.
2. No exponga este aparato a la lluvia o a la humedad.

ATTENZIONE
 Per ridurre il rischio di shock elettrici, incendi, ecc.:

1. Non togliete viti, coperture o la scatola.
2. Non esponete l'apparecchio alla pioggia e all'umidità.

Caution — 0/II switch!
 Disconnect the mains plug to shut the power off completely. The 0/II switch in any position does not disconnect the mains line. The power can be remote controlled.

Achtung — 0/II-Schalter!
 Den Netzstecker aus der Steckdose ziehen, um die Stromversorgung vollkommen zu unterbrechen. Der Schalter 0/II unterbricht in keiner Stellung die Stromversorgung vollkommen. Die Stromversorgung kann mit der Fernbedienung ein- und ausgeschaltet werden.

Attention — Commutateur 0/II!
 Déconnecter le fiche de secteur pour couper complètement le courant. Le commutateur 0/II ne coupe jamais complètement la ligne de secteur, quelle que soit sa position. Le courant peut être télécommandé.

Voorzichtig — 0/II schakelaar!
 Om de stroomtoevoer geheel af te schakelen, trek u de stekker uit het stopcontact. Anders zal er altijd een geringe hoeveelheid stroom naar het apparaat lopen, ongeacht de stand van de 0/II schakelaar. U kunt het apparaat ook met de afstandsbediening aan- en uitschakelen.

Precaución — Interruptor 0/II!
 Desconectar el cable de alimentación para desactivar la alimentación totalmente. Cambiar que sea la posición de ajuste del interruptor 0/II, la alimentación no es cortada completamente. La alimentación puede ser controlada remotamente.

Attenzione — L'interruttore 0/II!
 Disinnervare la spina del cavo di alimentazione dalla presa dalla rete elettrica per staccare completamente l'alimentazione. L'interruttore 0/II in qualsiasi posizione sbucca la linea di alimentazione elettrica principale. È possibile il controllo remoto dell'alimentazione.

English
 Deutsch
 Français
 Néerlandais
 Español
 Italiano

Caution: Proper Ventilation

To avoid risk of electric shock and fire, and to prevent damage, locate the apparatus as follows:

- 1 Front: No obstructions and open spacing.
- 2 Sides/ Top/ Back: No obstructions should be placed in the areas shown by the dimensions below.
- 3 Bottom: Place on the level surface. Maintain an adequate air path for ventilation by placing on a stand with a height of 10 cm or more.

Achtung: Ausreichende Belüftung

Zur Vermeidung von elektrischen Schlägen, Feuer und sonstigen Schäden sollte das Gerät unter folgenden Bedingungen aufgestellt werden:

- 1 Vorderseite: Hindernisfrei und gut zugänglich.
- 2 Seiten- und Rückwände: Hindernisfrei in allen gegebenen Abständen (s. Abbildung).
- 3 Unterseite: Das Stoffliche muß absolut eben sein. Sorgen Sie für ausreichende Luftzufuhr durch Aufstellung auf einem Stand mit mindestens 10 cm Höhe.

Attention: Aération correcte

Pour prévenir tout risque de décharge électrique ou d'incendie et éviter toute détérioration, installez l'appareil de la manière suivante:

- 1 Avant: Bien dégagé de tout objet.
- 2 Côtés/dessus/dessous: Assurez-vous que rien ne bloque les espaces indiqués sur le schéma ci-dessous.
- 3 Dessous: Posez l'appareil sur une surface plane et horizontale. Veillez à ce que sa ventilation correcte puisse se faire en le plaçant sur un support d'au moins dix centimètres de hauteur.

Voorzichtig: Goede ventilatie vereist

Om brand, elektrische schokken en beschadiging te voorkomen, moet u het toestel als volgt opstellen:

- 1 Voorkant: Geen belemmeringen en voldoende ruimte.
- 2 Zijkanten/boven-/onderkant: Geen belemmeringen plaatsen in de hieronder aangegeven zones.
- 3 Onderkant: Op vlakke ondergrond plaatsen. voldoende ventilatieruimte voorzien door het toestel op een onderstel met een hoogte van 10 cm of meer te plaatsen.

Precaución: ventilación correcta

Para evitar el riesgo de descargas eléctricas e incendio y prevenir posibles daños, instale el equipo en un lugar que cumpla los siguientes requisitos:

- 1 Parte frontal: Sin obstrucciones, espacio abierto.
- 2 Lados/parte superior/inferior: No debe haber ninguna obstrucción en las áreas mostradas por las dimensiones de la siguiente figura.
- 3 Parte inferior: Sitúe el equipo sobre una superficie nivelada. Mantenga un espacio adecuado para permitir el paso del aire y una correcta ventilación, situando el equipo sobre un soporte de 10 o más cm de altura.

Attenzione: Per una corretta ventilazione

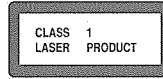
Per prevenire il rischio di scossa elettrica o di incendio ed evitare possibili danni, collocare lo apparecchio nel modo seguente:

- 1 Parte anteriore: Nessun ostacolo e spazio libero.
- 2 Lati/Parte superiore/Retro: Lasciare libero la zona indicata dalle dimensioni di seguito.
- 3 Base: Collocare su una superficie piana. Consentire un'adeguata ventilazione dall'impianto appoggiandolo su un tavolino alto almeno 10 cm.

IMPORTANT FOR LASER PRODUCTS / WICHTIGER HINWEIS FÜR LASER-PRODUKTE / IMPORTANT POUR LES PRODUITS LASER / BELANGRIJKE INFORMATIE VOOR LASERPRODUCTEN / IMPORTANTE PARA LOS PRODUCTOS LASER / IMPORTANTE PER I PRODOTTI LASER

REPRODUCTION OF LABELS/ANBIUNGSSORTE FÜR LASER-PRODUKTE/REPRODUCTION DES ETIQUETTES/VERKLARING VAN DE LABELS/REPRODUZIONE DI ETIQUETTES/PRODUZIONE DELLE ETICHETTE

- | | |
|--|---|
| ① CLASSIFICATION LABEL, PLACED ON REAR ENCLOSURE | ② WARNING LABEL, PLACED INSIDE THE UNIT |
| ① KLASSIFIKATIONSETIKETTE AN DER RÜCKSEITE | ② WARNEKETTE IM GERÄTEINNEREN |
| ① ETIQUETTE DE CLASSIFICATION, PLACÉE À L'ARRIÈRE DU COFFRET | ② ETIQUETTE D'AVERTISSEMENT PLACÉE À L'INTÉRIEUR DE L'APPAREIL |
| ① KLASSIFIKATIELABEL, OP DE ACHTERZIJDE VAN HET APPARAAT | ② WAARSCHUWINGSLABEL, IN HET APPARAAT |
| ① ETIQUETA DE CLASIFICACION, PEGADA EN LA PARTE POSTERIOR DE LA CAJA | ② ETIQUETA DE ADVERTENCIA, PEGADA EN EL INTERIOR DE LA UNIDAD |
| ① ETICHETTA DI CLASSIFICAZIONE, SITUATA SUL RIVESTIMENTO POSTERIORE | ② ETICHETTA DI AVVERTENZA, SITUATA ALL'INTERNO DELL'APPARECCHIO |

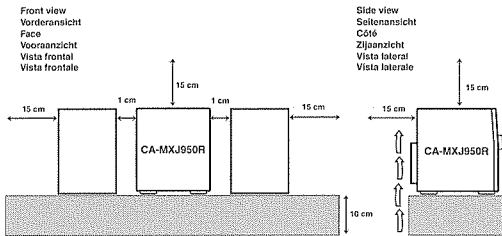


DAŃER: Izolne svetlo, ki ne povzroča škodljivih učinkov. Izogibajte se neposredni izpostavitvi.	VERBOD: Gebruik van het apparaat is niet toegestaan als het apparaat niet is geïnstalleerd op een vlakke ondergrond.	AVVERTENZA: Questo bene è un laser di classe 1. Evitare di guardare direttamente il raggio laser.	PERICOLO: Questo bene è un laser di classe 1. Evitare di guardare direttamente il raggio laser.
--	---	--	--

- | | |
|---|--|
| <ol style="list-style-type: none"> 1. CLASS 1 LASER PRODUCT 2. DANGER: Invisible laser radiation when open and interlock failed or defective. Avoid direct exposure to beam. 3. CAUTION: Do not open the top cover. There are no user serviceable parts inside the Unit; leave all servicing to qualified service personnel. | <ol style="list-style-type: none"> 1. KLAS 1 LASERPRODUKT 2. GEVAARLIJK: Onzichtbare laserstraling wanneer open en de beveiliging faalt of afgeschikt is. Vermijd het direct blootstaan aan de straal. 3. VOORZICHTIG: De bovenzijde niet openen. Binnenin het toestel bevinden zich geen door de gebruiker te repareren onderdelen. Laat onderhoud over aan bevoegde vakpersoneel. |
|---|--|

- | | |
|--|---|
| <ol style="list-style-type: none"> 1. LASER-PRODUKT DER KLASSE 1 2. GEFAHR: Unsichtbare Laserstrahlung bei Öffnung und fehlerhafter oder beschädigter Sperr. Direkten Kontakt mit dem Strahl vermeiden! 3. ACHTUNG: Das Gehäuse nicht öffnen. Das Gerät enthält keine für den Benutzer gewartete werden können. Überlassen Sie Wartungsarbeiten bitte qualifizierten Kundendienst-Fachleuten. | <ol style="list-style-type: none"> 1. PRODUCTO LASER CLASE 1 2. PELIGRO: En el interior hay radiación láser invisible. Evite el contacto directo con el haz. 3. PRECAUCIÓN: No abra la tapa superior. En el interior de la unidad no existen piezas reparables por el usuario; deje todo servicio técnico en manos de personal calificado. |
|--|---|

- | | |
|---|---|
| <ol style="list-style-type: none"> 1. PRODOTTO LASER CLASSE 1 2. ATTENZIONE: Radiazione laser invisibile quando l'appareil è aperto o il dispositivo di sicurezza è guasto o disattivato. Evitare una esposizione diretta al raggio. 3. ATTENZIONE: Non aprire il coperchio superiore. Non vi sono parti adoperabili dall'utente all'interno di questo apparecchio; lasciare tutti i contatti a personale qualificato. | <ol style="list-style-type: none"> 1. PRODOTTO LASER CLASSE 1 2. PERICOLO: Radiazione laser invisibile quando l'apparecchio è aperto ed il dispositivo di sicurezza è guasto o disattivato. Evitare l'esposizione diretta al raggio. 3. ATTENZIONE: Non aprire il coperchio superiore. Non vi sono parti adoperabili dall'utente all'interno di questo apparecchio; lasciare tutti i contatti a personale qualificato. |
|---|---|



- G-3 -

- G-4 -

Introduction

We would like to thank you for purchasing one of our JVC products. Before operating this unit, read this manual carefully and thoroughly to obtain the best possible performance from your unit, and retain this manual for future reference.

About This Manual

This manual is organized as follows:

- The manual mainly explains operations using the buttons and controls on the unit. You can also use the buttons on the remote control if they have the same or similar names (or marks) as those on the unit. If operation using the remote control is different from that using the unit, it is then explained.
- Basic and common information that is the same for many functions is grouped in one place, and is not repeated in each procedure. For instance, we do not repeat the information about turning on/off the unit, setting the volume, changing the sound effects, and others, which are explained in the section "Common Operations" on pages 9 to 11.
- The following marks are used in this manual:

STOP Gives you warnings and cautions to prevent damage or risk of fire/electric shock. Also gives you information which is not good for obtaining the best possible performance from the unit.

notes Gives you information and hints you had better know.

Power sources

- When unplugging from the wall outlet, always pull the plug, not the AC power cord.

STOP DO NOT handle the AC power cord with wet hands.

Moisture condensation

- Moisture may condense on the lens inside the unit in the following cases:
 - After starting heating in the room
 - In a damp room
 - If the unit is brought directly from a cold to a warm place
- Should this occur, the unit may malfunction. In this case, leave the unit turned on for a few hours until the moisture evaporates, unplug the AC power cord, and then plug it in again.

Others

- Should any metallic object or liquid fall into the unit, unplug the unit and consult your dealer before operating any further.
- If you are not going to operate the unit for an extended period of time, unplug the AC power cord from the wall outlet.

STOP DO NOT disassemble the unit since there are no user serviceable parts inside.

If anything goes wrong, unplug the AC power cord and consult your dealer.

Precautions

Installation

- Install in a place which is level, dry and neither too hot nor too cold — between 5°C (41°F) and 35°C (95°F).
- Install the unit in a location with adequate ventilation to prevent internal heat build-up in the unit.
- Leave sufficient distance between the unit and the TV.
- Keep the speakers away from the TV to avoid interference with TV.

STOP DO NOT install the unit in a location near heat sources, or in a place subject to direct sunlight, excessive dust or vibration.

- 1 -

Contents

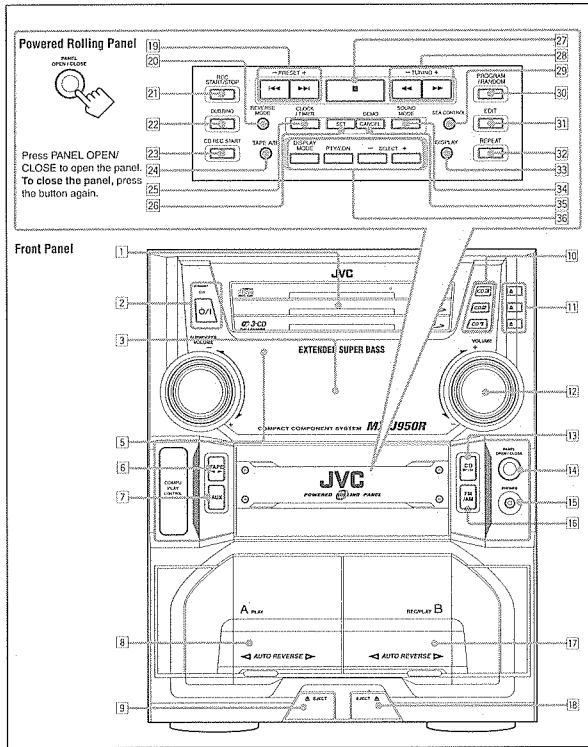
Location of the Buttons and Controls	3	Playing Back Tapes	18
Front Panel	3	Playing Back a Tape	18
Remote Control	5	Locating the Beginning of a Song — Music Scan ..	18
Getting Started	6	Recording	19
Unpacking	6	Recording a Tape on Deck B	19
Putting the Batteries into the Remote Control	6	Dubbing Tapes	20
Connecting Antennas	6	CD Direct Recording	20
Connecting Speakers	7	Auto Edit Recording	21
Connecting Other Equipment	8	Using the Timers	22
Common Operations	9	Using Daily Timer	22
Turning On or Off the Power	9	Using Recording Timer	23
Setting the Clock	9	Using Sleep Timer	24
Selecting the Sources	9	Timer Priority	24
Adjusting the Volume	10	Maintenance	25
Reinforcing the Bass Sound	10	Troubleshooting	26
Selecting the Sound Modes	10	Additional Information	27
Creating Your Own Sound Mode	11	Specifications	28
— Manual Mode	11		
Listening to FM and AM (LW/MW) Broadcasts ..	12		
Tuning in a Station	12		
Presetting Stations	12		
Tuning in a Preset Station	12		
Receiving FM Stations with RDS	13		
Changing the RDS Information	13		
Searching for Programs by PTY Codes (PTY Search)	13		
Switching to a Program Type of Your Choice Temporarily	14		
Playing Back CDs	15		
Loading CDs	15		
Playing Back the Entire Discs — Continuous Play	15		
Basic CD Operations	15		
Programming the Playing Order of the Tracks — Program Play	16		
Playing at Random — Random Play	17		
Repeating Tracks or CDs — Repeat Play	17		
Prohibiting Disc Ejection — Tray Lock	17		

- 2 -

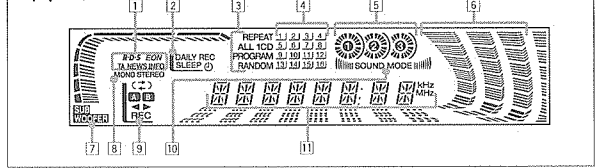
Location of the Buttons and Controls

Become familiar with the buttons and controls on your unit.

Front Panel



Display Window



See pages in the parentheses for details.

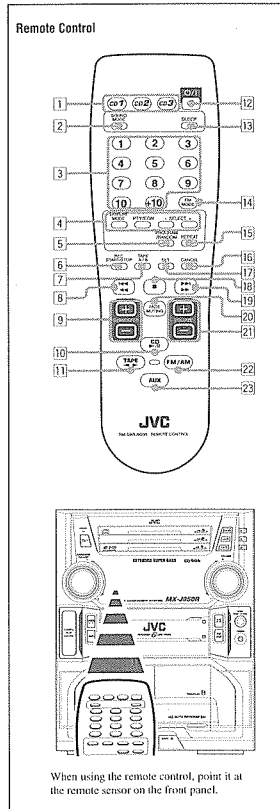
Front Panel

- (1) Disc trays
- (2) **CH** (Standby/On) button and STANDBY lamp (9)
- (3) Display window
- (4) SUBWOOFER VOLUME control (10)
- (5) Remote sensor
- (6) TAPE **←** **→** button and lamp (9, 18)
Pressing this button also turns on the unit.
- (7) AUX button and lamp (9)
Pressing this button also turns on the unit.
- (8) Deck A cassette holder (18)
- (9) **▲** EJECT button for deck A (18)
- (10) Disc number buttons (CD1, CD2, and CD3) (15)
Pressing one of these buttons also turns on the unit.
- (11) **▶** (CD tray open/close) buttons (15)
Pressing one of these buttons also turns on the unit.
- (12) VOLUME control (10)
- (13) **CD ▶/H** (play/pause) button and lamp (9, 15)
Pressing this button also turns on the unit.
- (14) PANEL OPEN/CLOSE button (9)
Pressing this button also turns on the unit.
- (15) PHONES jack (10)
- (16) FM/AM button and lamp (9, 12)
Pressing this button also turns on the unit.
- (17) Deck B cassette holder (18, 19)
- (18) EJECT **▲** button for deck B (18, 19)

Powered Rolling Panel

- (19) PRESET **- / +** buttons (12)
- (20) **◀** **▶** (reverse search/forward search) buttons (9, 11, 16, 21 - 24)
- (21) REVERSE MODE button (18 - 21)
- (22) REC START/STOP button (19, 21)
- (23) DUBBING button (20)
- (24) CD REC START button (20, 21)
- (25) TAPE A/B button (18)
- (26) CLOCK/TIMER button (9, 22 - 24)
- (27) SET button (9, 12, 16, 21 - 24)
- (28) **■** (stop) button (15 - 21)
- (29) TUNING **- / +** buttons (12)
- (30) **◀** **▶** (fast left/fast right) buttons (11, 16, 18)

- (31) SEA CONTROL button (11)
 - (32) PROGRAM/RANDOM button (16, 17, 20)
 - (33) EDIT button (21)
 - (34) REPEAT button (17)
 - (35) DISPLAY button (9)
 - (36) SOUND MODE button (10)
 - (37) CANCEL button (9, 17, 22)
 - (38) DEMO button (8)
 - (39) RDS operation buttons (13)
 - DISPLAY MODE, PTY/EON, and SELECT **- / +** buttons
- Display window**
- (1) RDS operation indicators
 - RDS, EON, and TA/NEWS/INFO indicators
 - (2) Timer indicators
 - DAILY (Daily Timer), REC (Recording Timer), SLEEP, and **Ⓢ** (Timer) indicators
 - (3) CD play mode indicators
 - REPEAT (ALL/ICD/I), PROGRAM, and RANDOM indicators
 - (4) CD track number indicators
 - (5) Disc indicators
 - (6) Audio level indicator
 - SEA (Sound Effect Amplifier) pattern indicator
 - (7) SUBWOOFER indicator (10)
 - (8) Tuner operation indicators
 - MONO and STEREO indicators
 - (9) Tape operation indicators
 - **◀** **▶** (reverse mode), A/B (operating deck), **←** **→** (tape direction), and REC (recording) indicators
 - (10) SOUND MODE indicator
 - (11) Main display
 - Shows the source name, frequency, etc.



Remote Control

- (1) Disc number buttons (CD1, CD2, and CD3) (15)
Pressing one of these buttons also turns on the unit.
- (2) SOUND MODE button (10)
- (3) Number buttons (12, 16)
- (4) RDS operation buttons (13)
 - DISPLAY MODE, PTY/EON, and SELECT **- / +** buttons
- (5) PROGRAM/RANDOM button (16, 17, 20)
- (6) REC START/STOP button (19, 21)
- (7) TAPE A/B button (18)
- (8) **◀** **▶** (fast left/reverse search) button (16 - 18)
- (9) SUBWOOFER **+ / -** buttons (10)
- (10) **CD ▶/H** button (9, 15)
Pressing this button also turns on the unit.
- (11) TAPE **←** **→** button (9, 18)
Pressing this button also turns on the unit.
- (12) **CH** (Standby/On) button (9)
- (13) SLEEP button (25)
- (14) FM MODE button (12)
- (15) REPEAT button (17)
- (16) CANCEL button (9, 17, 22)
- (17) SET button (9, 12, 16, 21 - 24)
- (18) **■** (stop) button (15 - 21)
- (19) **▶** **▶** / **▶** (forward search/fast right) button (16 - 18)
- (20) FADE MUTING button (10)
- (21) VOLUME **+ / -** buttons (10)
- (22) FM/AM button (9, 12)
Pressing this button also turns on the unit.
- (23) AUX button (9)
Pressing this button also turns on the unit.

When using the remote control, point it at the remote sensor on the front panel.

Getting Started

Continued

Unpacking

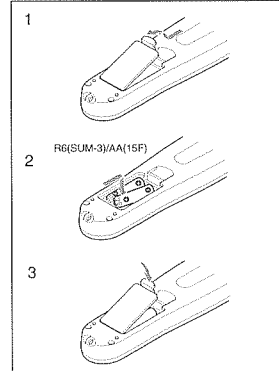
After unpacking, check to be sure that you have all the following items. The number in the parentheses indicates the quantity of the pieces supplied.

- AM (LW/MW) loop antenna (1)
- FM antenna (1)
- Remote control (1)
- Batteries (2)

If any is missing, consult your dealer immediately.

Putting the Batteries into the Remote Control

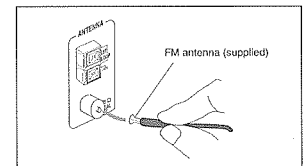
Insert the batteries — R6(SUM-3)/AA(15F) — into the remote control, by matching the polarity (+ and -) on the batteries with the + and - markings on the battery compartment. When the remote control can no longer operate the unit, replace both batteries at the same time.



- DO NOT use an old battery together with a new one.
- DO NOT use different types of batteries together.
- DO NOT expose batteries to heat or flame.
- DO NOT leave the batteries in the battery compartment when you are not going to use the remote control for an extended period of time. Otherwise, it will be damaged from battery leakage.

Connecting Antennas

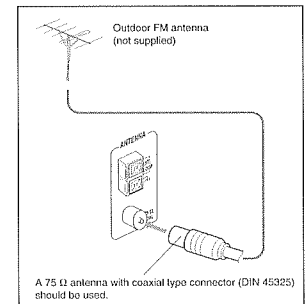
FM antenna



- 1 Attach the FM antenna to the FM 75 Ω COAXIAL terminal.
- 2 Extend the FM antenna.
- 3 Fasten it up in the position which gives you the best reception, then fix it on the wall, etc.

Notes About the supplied FM antenna
The FM antenna supplied with this unit can be used as temporary measure. If reception is poor, you can connect an outdoor FM antenna.

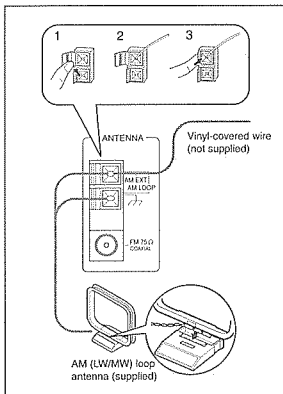
To connect an outdoor FM antenna
Before connecting it, disconnect the supplied FM antenna.



A 75 Ω antenna with coaxial type connector (DIN 45325) should be used.



AM (LW/MW) antenna

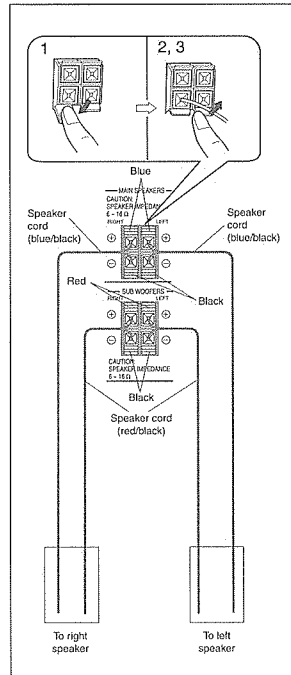


- 1 Connect the AM (LW/MW) loop antenna to the AM LOOP terminals as illustrated.
- 2 Turn the AM (LW/MW) loop antenna until you have the best reception.

To connect an outdoor AM (LW/MW) antenna
When reception is poor, connect a single vinyl-covered wire to the AM EXT terminal and extend it horizontally. (The AM (LW/MW) loop antenna must remain connected.)

- Notes** For better reception of both FM and AM (LW/MW)
- Make sure the antenna conductors do not touch any other terminals and connecting cords.
 - Keep the antennas away from metallic parts of the unit, connecting cords, and the AC power cord.

Connecting Speakers



- 1 Press and hold the clamp of the speaker terminal on the rear of the unit.
- 2 Insert the end of the speaker cord into the terminal.
Match the polarity (color) of the speaker terminals: ⊕ to ⊕ and ⊖ to ⊖.
- 3 Release the finger from the clamp.

IMPORTANT: Use only speakers with the same speaker impedance as indicated by the speaker terminals on the rear of the unit.

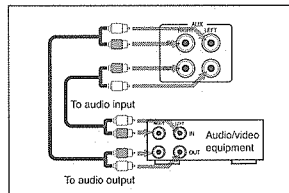
Connecting Other Equipment

You can connect both analog and digital equipment.

- Notes**
- DO NOT connect any equipment while the power is on.
 - DO NOT plug in any equipment until all connections are complete.

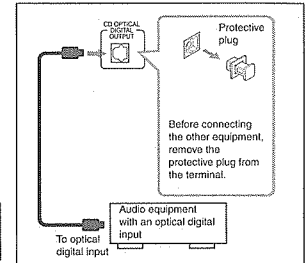
To connect an analog component

Be sure that the plugs of the audio cords are color coded: White plugs and jacks are for left audio signals, and red ones for right audio signals.



- By using audio cords (not supplied), connect:
- Between the audio input jacks on the other equipment and AUX OUT jacks: For recording on the other equipment.
 - Between the audio output jacks on the other equipment and AUX IN jacks: For playing the other equipment.

To connect audio equipment with an optical digital input terminal
You can record CD sound onto the connected digital equipment.



Connect an optical digital cord (not supplied) between the optical digital input terminal on the other equipment and the CD OPTICAL DIGITAL OUTPUT terminal.

NOW, you can plug in the unit and other connected equipment FINALLY!

When connecting the AC power cord to a wall outlet, the unit automatically starts display demonstration.

To stop the display demonstration, press any button on the unit or on the remote control.

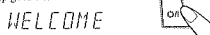
To start the display demonstration manually
Press and hold DEMO for more than 2 seconds.

To stop the demonstration, press any button.

Common Operations

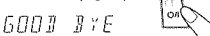
Turning On or Off the Power

To turn on the unit, press **ON/OFF** so that the **STANDBY** lamp goes off.



The Powered Rolling Panel opens automatically.

To turn off the unit (on standby), press **ON/OFF** again so that the **STANDBY** lamp lights up.



The Powered Rolling Panel also closes. A little power is always consumed even while the unit is on standby.

To switch off the power supply completely, unplug the AC power cord from the AC outlet.

Notes When you unplug the AC power cord or if a power failure occurs, the clock is reset to "0:00" right away, while the tuner preset stations (see page 12) will be erased in a few days.

Setting the Clock

Before operating the unit any further, first set the clock built in this unit.

On the unit ONLY:

1 Press PANEL OPEN/CLOSE.
The unit is turned on and the Powered Rolling Panel opens automatically.



2 Press CLOCK/TIMER.



The hour digits start flashing on the display.

3 Press <Left> or <Right> to adjust the hour, then press SET.



- If you want to correct the hour after pressing SET, press CANCEL. The hour digits start flashing again.

4 Press <Left> or <Right> to adjust the minute, then press SET.



To check the clock time

Press **DISPLAY** while playing any source.
• Each time you press the button, the source indication and the clock time alternate on the display.

To adjust the clock again

If you have adjusted the clock before, you need to press **CLOCK/TIMER** repeatedly until the clock setting mode is selected.

- Each time you press the button, the clock/timer setting modes change as follows:



Notes If there is a power failure, the clock loses the setting and is reset to "0:00." You need to set the clock again.

Selecting the Sources

To listen to the FM/AM (LW/MW) broadcasts, press **FM/AM**. (See page 12.)
To play back CDs, press **CD** <Right>. (See pages 15 - 17.)
To play back tapes, press **TAPE** <Left>. (See page 18.)
To select the external equipment as the source, press **AUX**.



When you press the play button for a particular source (FM/AM, CD <Right>, AUX, and TAPE <Left>), the unit turns on, and the Powered Rolling Panel opens automatically (and the unit starts playing the source if it is ready — **COMPU PLAY CONTROL**).

Adjusting the Volume

You can adjust the volume level only while the unit is turned on.

Turn the **VOLUME** control clockwise to increase the volume or counterclockwise to decrease it.

- The volume level can be adjusted in 32 steps (MIN, VOL 1 — VOL 30, and MAX).



When using the remote control, press **VOLUME +** to increase the volume or press **VOLUME -** to decrease it.

Notes For private listening, connect a pair of headphones to the PHONES jack. No sound comes out of the speakers. Be sure to turn down the volume before connecting or putting on headphones.

Notes DO NOT turn off (on standby) the unit with the volume set to an extremely high level; otherwise, a sudden blast of sound can damage your hearing, speakers and/or headphones when you turn on the unit or start playing any source next time. REMEMBER you cannot adjust the volume level while the unit is on standby.

To turn down the volume level temporarily

Press **FADE MUTING** on the remote control. The volume level gradually decreases to "MIN."
To restore the sound, press the button again.

Reinforcing the Bass Sound

The **SUBWOOFER VOLUME** control provided for this unit can enhance the subwoofer sound if subwoofers are connected to the rear of this unit (see page 7). This function only affects the playback sound, but does not affect your recording.

Turn the **SUBWOOFER VOLUME** control clockwise to increase the subwoofer sound or counterclockwise to decrease it.

- The subwoofer level can be adjusted in 8 steps (WOOFER 1 — WOOFER 7, and MAX).



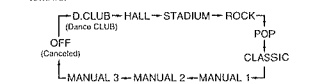
Notes SUBWOOFER indicator always lights up when the unit is on.

When using the remote control, press **SUBWOOFER +** to increase the subwoofer volume or press **SUBWOOFER -** to decrease it.

Selecting the Sound Modes

You can select one of the 6 preset sound modes (3 surround modes and 3 SEA — Sound Effect Amplifier — modes). This function only affects the playback sound, but does not affect your recording.

To select the sound modes, press **SOUND MODE** until the sound mode you want appears on the display. The **SOUND MODE** indicator also lights up on the display.



- Each time you press the button, the sound modes change as follows:

Surround modes *:
D.CLUB: Increases resonance and bass.
HALL: Adds depth and brilliance to the sound.
STADIUM: Adds clarity and spreads the sound, like in an outdoor stadium.

SEA (Sound Effect Amplifier) modes:
ROCK: Boosts low and high frequency. Good for acoustic music.
POP: Good for vocal music.
CLASSIC: Good for classical music.

Manual modes:
MANUAL 1/2/3:
 Your individual mode stored in memory. See "Creating Your Own Sound Mode — Manual Mode."

OFF: Cancels the sound mode.
 * Surround elements are added to the SEA elements to create a being-there feeling in your room. When one of these modes is selected, the SOUND MODE indicator lights up as — (SOUND MODE indicator)

While one of the SEA modes including manual modes (SEA elements without surround elements) is selected, it lights up as — SOUND MODE

Creating Your Own Sound Mode — Manual Mode

You can change SEA pattern to suit your preference. These changed settings can be stored in the MANUAL 1, 2, and 3 modes.

- There is a time limit in doing the following steps. If the setting is canceled before you finish, start from step 1 again.
- If you want to add the surround elements in your SEA pattern, select one of the surround modes (D.CLUB, HALL, or STADIUM) before starting the procedure below.

On the unit ONLY:

1 Press and hold SEA CONTROL until "SEA CONT" appears on the display.

Current level appears.

2 Adjust the SEA pattern.

- 1) Press ◀▶ or ▶▶ to select the frequency range to adjust (LOW, MID, HIGH).
- 2) Press ◀◀ or ▶▶ to adjust the level (-3 to +3) of the selected frequency range.
- 3) Repeat steps 1) and 2) to adjust the level of the other frequency ranges.

3 Press SEA CONTROL again.



4 Press ◀▶ or ▶▶ to select one of the MANUAL 1, 2, and 3 modes into which you want to store the SEA pattern.

5 Press SEA CONTROL again.



The SOUND MODE indicator also lights up. The SEA pattern you have created are stored into the MANUAL mode selected in the above step.

To use your own sound mode

Select MANUAL 1, 2, or 3 mode when using the sound modes. See "Selecting the Sound Modes."

Listening to FM and AM (LW/MW) Broadcasts

Tuning in a Station

- 1 Press FM/AM.**
 The unit automatically turns on and tunes in the previously tuned station (either FM or AM — LW/MW). The Powered Rolling Panel automatically opens.
 • Each time you press the button, the band alternates between FM and AM (LW/MW).
- 2 Start searching for stations.**
On the unit:
 Press and hold TUNING -/+ for more than 1 second.
On the remote control:
 Press and hold ◀◀/▶▶ or ▶▶/▶▶ briefly and repeatedly for more than 1 second.
 The unit starts searching for stations and stops when a station of sufficient signal strength is tuned in. If a program is broadcast in stereo, the STEREO indicator lights up.
 To stop during searching, press TUNING -/+ (or ◀◀/▶▶, ▶▶/▶▶).

notes When you press TUNING -/+ (or ◀◀/▶▶, ▶▶/▶▶) briefly and repeatedly, the frequency changes step by step.

To change the FM reception mode

When an FM stereo broadcast is hard to receive or noisy, press FM MODE on the remote control so that the MONO indicator lights up on the display. Reception improves.

To restore the stereo effect, press FM MODE again so that the MONO indicator goes off. In this stereo mode, you can hear stereo sounds when a program is broadcast in stereo.

Presetting Stations

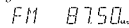
You can preset 30 FM and 15 AM (LW/MW) stations. In some cases, test frequencies have been already memorized for the tuner since the factory examined the tuner preset function before shipment. This is not a malfunction. You can preset the stations you want into memory by following the presetting method.

- There is a time limit in doing the following steps. If the setting is canceled before you finish, start from step 1 again.

On the unit ONLY:

1 Tune in the station you want to preset.

• See "Tuning in a Station."



2 Press SET.



3 Press PRESET -/+ to select a preset number.



4 Press SET again.



The tuned station in step 1 is stored in the preset number selected in step 3.
 • Storing a new station on a used number erases the previously stored one.

notes When you unplug the AC power cord or if a power failure occurs, the preset stations will be erased in a few days. If this happens, preset the stations again.

Tuning in a Preset Station

1 Press FM/AM.

The unit automatically turns on and tunes in the previously tuned station (either FM or AM — LW/MW). The Powered Rolling Panel automatically opens.
 • Each time you press the button, the band alternates between FM and AM (LW/MW).

2 Select a preset number.

On the unit:
 Press PRESET -/+.

On the remote control:
 Press the number buttons.

For preset number 5, press 5.

For preset number 15, press +10, then 5.

For preset number 20, press +10, then 10.

For preset number 25, press +10, +10, then 5.

For preset number 30, press +10, +10, then 10.



Receiving FM Stations with RDS

RDS allows FM stations to send an additional signal along with their regular program signals. For example, the stations send their station names, as well as information about what type of program they broadcast, such as sports or music, etc.

When tuned to an FM station which provides the RDS service, the RDS indicator lights up on the display.

With the unit, you can receive the following types of RDS signals.

PS (Program Service):
 Shows commonly known station names.

PTY (Program Type):
 Shows types of broadcast programs.

RT (Radio Text):
 Shows text messages the station sends.

EON (Enhanced Other Networks):
 Provides the information about the types of the programs sent by other RDS stations.

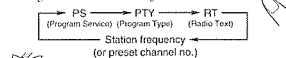
- notes** More about RDS
- Some FM stations and AM (LW/MW) stations do not provide RDS signals.
 - RDS services vary among FM RDS stations. For details on RDS services in your area, check with local radio stations.
 - RDS may not work correctly if the received station is not transmitting the signals properly or if the signal strength is weak.

Changing the RDS Information

You can see RDS information on the display while listening to an FM station.

Press DISPLAY MODE.

Each time you press the button, the display changes to show the following information:



notes If no PS, PTY, or RT signals are sent by a station "NO PS," "NO PTY," or "NO RT" appears in the main display.

notes If the unit takes time to show the RDS information received from a station "WAIT PS," "WAIT PTY," or "WAIT RT" may appear on the display.

Searching for Programs by PTY Codes (PTY Search)

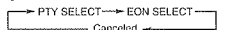
One of the advantages of RDS is that you can locate a particular kind of program by specifying the PTY codes.
 • For details on the PTY codes, see "Additional Information" on page 27.

To search for a program using the PTY codes REMEMBER you must preset FM RDS stations to use the EON function. If not yet done, see page 12.

- There is a time limit in doing the following steps. If the setting is canceled before you finish, start from step 1 again.

1 Press PTY/EON until "PTY" and "SELECT" alternately appears on the display.

Each time you press the button, RDS operation mode changes as follows:



2 Press SELECT -/+ until the PTY code you want appears on the display.



Each time you press the button, the PTY codes change as follows:

- NEWS :: AFFAIRS :: INFO :: SPORT ::
- EDUCATE :: DRAMA :: CULTURE ::
- SCIENCE :: VARIED :: POP M :: ROCK M ::
- M.O.R. M :: LIGHT M :: CLASSICS ::
- OTHER M :: WEATHER :: FINANCE ::
- CHILDREN :: SOCIAL A :: RELIGION ::
- PHONE IN :: TRAVEL :: LEISURE :: JAZZ ::
- COUNTRY :: NATIONAL :: OLDBIES ::
- FOLK M :: DOCUMENT :: TRAFFIC ::

3 Press PTY/EON once again.

While searching, "SEARCH" and the selected PTY code alternate on the display. The unit searches 30 preset FM stations, stops when it finds the one you have selected ("FOUND" appears), and tunes in that station.
 • If no program is found, "NOT" and "FOUND" alternately appears on the display and the unit returns to the last received station.

To stop searching any time during the process Press PTY/EON while searching.

Switching to a Program Type of Your Choice Temporarily

By receiving EON data sent by FM RDS stations, the EON function allows the unit to switch temporarily to a broadcast program of your choice (TA, NEWS, and INFO) from a different station.

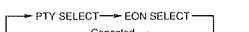
- The EON function only works when you are listening to a preset FM RDS stations providing EON data.
- The EON indicator lights while receiving a station with EON data.

To activate the EON function REMEMBER you must preset FM RDS stations to use the EON function. If not yet done, see page 12.

- There is a time limit in doing the following steps. If the setting is canceled before you finish, start from step 1 again.

1 Press PTY/EON until "EON" and "SELECT" alternately appear on the display.

Each time you press the button, RDS operation mode changes as follows:

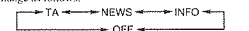


2 Press SELECT -/+ until the EON data type you want appears on the display.

The selected EON data type indicator also flashes.



Each time you press the button, the EON data types change as follows:



TA: Traffic announcement

NEWS: News

INFO: Program the purpose of which is to impart advice in the widest sense.

OFF: The EON function is canceled. The EON data type indicator (TA, NEWS, INFO) goes off.

3 Press PTY/EON once again.

The EON data type indicator stops flashing and remains lit. Now, the EON function is activated. See "How the EON function actually works."

How the EON function actually works:

CASE 1

If there is no station broadcasting the program you have selected The unit continues tuning in the current station.

When a station starts broadcasting the program you have selected, the unit automatically switches to the station. The indicator of received PTY code starts flashing.

When the program is over, "EON END" appears in the main display, and the unit goes back to the previously tuned station, but the EON function still remains activated.

CASE 2

If there is a station broadcasting the program you have selected The unit tunes in the program. The indicator of received PTY code starts flashing.

When the program is over, "EON END" appears in the main display, and the unit goes back to the previously tuned station, but the EON function still remains activated.

CASE 3

If the FM station you are listening to is broadcasting the program you have selected The unit continues to receive the station but the indicator of received PTY code starts flashing.

When the program is over, the indicator of received PTY code stops flashing and remains lit, but the EON function still remains activated.

notes More about the EON function

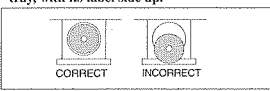
- EON data sent from some stations may not be compatible with this unit. In this case, the EON function may not work correctly.
- While listening to a program tuned in by the EON function, the station does not change even if another network station starts broadcasting a program of the same EON data.
- The EON function is canceled when you change the source to CD, TAPE, or AUX, while it is temporarily canceled when you change the source to AM.



Playing Back CDs

Loading CDs

On the unit ONLY:

- Press **▲** for the disc tray (CD1 to 3) you want to load a CD onto. The unit automatically turns on and the disc tray comes out. The Powered Rolling Panel also opens automatically.
- Place a disc correctly on the circle of the disc tray, with its label side up.
 
 - When using a CD single (8 cm), place it on the inner circle of the disc tray.
- Press the same **▲** you have pressed in step 1. The disc tray closes, and the corresponding disc indicator (CD1 to CD3) lights up on the display.
- Repeat steps 1 to 3 to place other CDs.

When loading more than one CD continuously
When you press **▲** for the next tray you want to place another CD onto, the first disc tray automatically closes and then the next tray comes out.

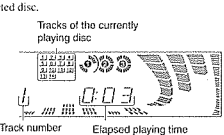
About the disc indicators
Each disc indicator corresponds to the disc tray of the same number.



- The disc marker lights up for the disc number you have selected.
- The disc indicator flashes while the corresponding CD is being played.
- The disc indicator goes off when the unit has detected that there is no CD on the corresponding disc tray.

Playing Back the Entire Discs — Continuous Play

You can play CDs continuously.

- Load CDs.
- Press one of the disc number buttons (CD1, CD2, and CD3) for the disc you want to play. CD play starts from the first track of the selected disc.
 
 - Pressing CD **▶/II** instead of the disc number buttons starts playing back if a CD is on the trays.

To stop during play, press **■**.
To remove the disc, press **▲** for the corresponding disc tray.

CD playback sequence
When 3 CDs are loaded on the disc trays, they are played in one of the following sequences.

- When CD1 is pressed: CD1 → CD2 → CD3 (then stops)
- When CD2 is pressed: CD2 → CD3 → CD1 (then stops)
- When CD3 is pressed: CD3 → CD1 → CD2 (then stops)

When only 2 CDs are loaded, they are played in the same order, but the disc tray without a CD is skipped.

Basic CD Operations

While playing a CD, you can do the following operations.

To exchange CDs during playback of another
Press **▲** corresponding to a CD, not playing or selected currently, to eject and exchange the CD. If you exchange CDs during play, the current play will not stop until all CDs you have exchanged are played.

To stop play for a moment
Press CD **▶/II**. While pausing, the elapsed playing time flashes on the display.
To resume play, press CD **▶/II** again.

To locate a particular point in a track

During play, press and hold **◀◀** or **▶▶**.
◀◀: Fast reverses the disc.
▶▶: Fast forwards the disc.
 When using the remote control, press and hold **◀◀/▶▶** or **▶▶/▶▶**.

To go to another track

Press **◀◀** or **▶▶** repeatedly before or during playback.
◀◀: Goes back to the beginning of the current or previous tracks.
▶▶: Skips to the beginning of the next or skipping to the tracks.
 When using the remote control, press **◀◀/▶▶** or **▶▶/▶▶**.

If you press and hold **◀◀/▶▶** (or **◀◀/▶▶** or **▶▶/▶▶**) before playing) You can change the tracks continuously.

To go to another track directly using the number buttons

Pressing the number button(s) before or during play allows you to start playing the track number you want.
 Ex.: For track number 5, press 5.
 For track number 15, press +10, then 5.
 For track number 20, press +10, then 10.
 For track number 32, press +10, +10, +10, then 2.

Programming the Playing Order of the Tracks — Program Play

You can arrange the order in which the tracks play before you start playing. You can program up to 32 tracks.

- To use Repeat play (see page 17) for Program play, press REPEAT after starting Program play.

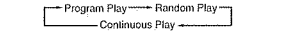
- Load CDs.
If the current playing source is not the CD player, press CD **▶/II**, then **■** before going to the next step.

- Press PROGRAM/RANDOM repeatedly until "PROGRAM" appears on the display.

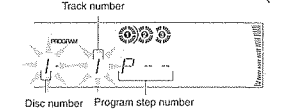


- If a program has been stored in memory, the program is called up.

Each time you press the button, CD play mode changes as follows:



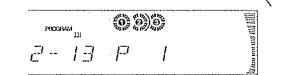
- Press one of the disc number buttons (CD1, CD2, and CD3) to select the disc number you want to play.



- Select a track from the CD selected in the above step. On the unit: Press **◀◀** or **▶▶** to select the track number, then press SET.



On the remote control:
Press the number buttons. For how to use the number buttons, see "To go to another track directly using the number buttons" described to the left.



- Program other tracks you want. To program tracks from the same disc, repeat step 4. To program tracks from a different disc, repeat steps 3 and 4.

- Press CD **▶/II**. The tracks are played in the order you have programmed.

To stop during play, press **■**.
To exit from Program play mode, press PROGRAM/RANDOM repeatedly again before or after play so that the unit enters another play mode. (The program you have made is stored in memory until you turn off the unit or erase the program.)

Playing Back Tapes

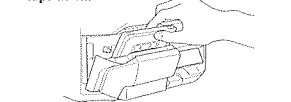
You can play back type I, type II, and type IV tapes without changing any settings.

Playing Back a Tape

- Press EJECT (**▲**) for the deck you want to use.



- Put a cassette in, with the exposed part of the tape down.



- Close the cassette holder gently. If you put cassettes in both decks A and B, the last deck you have put a cassette into is selected. To operate the other deck, press TAPE A/B.

- Press TAPE **◀▶**. The tape play starts and the tape direction indicator (**◀▶**) starts flashing slowly to indicate the tape running direction.
 Each time you press the button, the tape direction changes.
▶▶: plays the front side.
◀◀: plays the reverse side.

When the tape plays to the end, the deck automatically stops if the Reverse Mode is not on. (See "To play both sides repeatedly — Reverse Mode.")

To stop during play, press **■**.
To operate the other deck, press TAPE A/B, then TAPE **◀▶**.

To fast wind to the left or to the right, press **◀◀/▶▶** (**◀◀/▶▶** or **▶▶/▶▶** on the remote control) while the tape is not running. The tape direction indicator (**◀▶**) starts flashing quickly on the display.

To remove the cassette, press **▲** EJECT for deck A or EJECT **▲** for deck B.

To play both sides repeatedly — Reverse Mode
Reverse Mode works for both decks at the same time. When it is in use, the tape automatically reverses at the end of a side and the unit starts playing the other side of the tape, and repeats the same process.

To use Reverse Mode, press REVERSE MODE so that the Reverse Mode indicator on the display lights up like **◀▶**.

To cancel Reverse Mode, press the button again so that the Reverse Mode indicator on the display lights up like **▶▶**.

When Reverse Mode is on with cassettes in both decks A and B. After the reverse **◀▶** side of the tape finishes playing, the tape in the other deck starts playing.

Locating the Beginning of a Song — Music Scan

You can use Music Scan to locate the beginning of a song. Music Scan searches for blank portions that usually separate recorded songs, then plays the next song.

To find the beginning of the current song
During play, press **◀▶/▶▶** or **▶▶/▶▶** on the remote control in the opposite direction to the tape play. The tape direction indicator of the opposite direction to the tape play starts flashing slowly.

Searching stops automatically at the beginning of the current song, and the current song starts automatically.

To find the beginning of the next song
During play, press **◀▶/▶▶** or **▶▶/▶▶** on the remote control in the same direction as the tape play. The tape direction indicator of the same direction as the tape play starts flashing slowly and quickly alternately.

Searching stops automatically at the beginning of the next song, and the next song starts automatically.

Music Scan works by detecting a 4-second long blank between each song, so it will not work well in the following cases:
 • No blank at the beginning of a song.
 • Noise (often caused by much use or poor quality dubbing) which fills the blank.
 • Long, very soft passages or pauses in a song.

The use of the C-120 or thinner tape is not recommended, since characteristic deterioration may occur and this tape easily jams in the pinch-rollers and the capstans.

To check the program contents

Before playing, you can check the program contents by pressing **◀◀/▶▶** or **▶▶/▶▶** on the remote control.
▶▶/▶▶: Shows the programmed tracks in the programmed order.
◀◀/▶▶: Shows them in the reverse order.

To modify the program

Before playing, you can erase the programmed tracks shown on the display by pressing CANCEL.
 Each time you press the button, the programmed track shown on the display is erased from the program.

To add tracks in the program before play, simply select the track numbers you want to add by following step 4 of the programming procedure on page 16.

To erase the entire program before or after play, press **■**. "PROGRAM" appears on the display.
 Ejecting a CD will also erase the track numbers programmed from the ejected CD.

If you try to program a 33rd track "FULL" will appear on the display.

If your entry is ignored
You have tried to program a track from an empty tray, or a track number that does not exist on the CD (for example, selecting track 14 on a CD that only has 12 tracks). Such entries are ignored.

Playing at Random — Random Play

The tracks of all loaded CDs will play at random.
 To use Repeat play for Random play, press REPEAT after starting Random play.

- Load CDs.
If the current playing source is not the CD player, press CD **▶/II**, then **■** before going to the next step.

- Press PROGRAM/RANDOM repeatedly until "RANDOM" appears on the display.

Each time you press the button, CD play mode changes as follows:
 Program Play → Random Play → Continuous Play

- Press CD **▶/II**. The tracks are played at random. Random play ends when all the tracks are played once.

To skip the currently playing track, press **▶▶** (or **▶▶/▶▶** on the remote control).

To stop during play, press **■**.

- Random play also stops when one of the disc trays is opened.

To exit from Random play mode, press PROGRAM/RANDOM repeatedly again before or after play so that the unit enters another play mode.

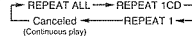
Even if you press **◀◀** (or **◀◀/▶▶** on the remote control) You cannot go back to the previous tracks during Random play.

Repeating Tracks or CDs — Repeat Play

You can have all the CDs, the program or the individual track currently playing repeat as many times as you like.

To repeat play, press REPEAT during or before playback. To use Repeat play for Program play and Random play, press the button after starting playback.

Each time you press the button, Repeat play mode changes as follows, and the following indicator lights up on the display:



REPEAT ALL: Repeats all the tracks on all the CDs (continuously or at random), or all the tracks in the program.
 REPEAT 1CD*: Repeats all the tracks on one CD.
 REPEAT 1: Repeats one track on one CD.
 * REPEAT 1CD is not used for Program play and Random play.

To cancel Repeat play, press REPEAT repeatedly until the REPEAT indicator (REPEAT ALL, REPEAT 1CD, or REPEAT 1) goes off from the display.

Repeat play is also canceled when you select Program play or Random play.

Prohibiting Disc Ejection — Tray Lock

You can prohibit CD ejection from the unit and can lock CDs. This operation is possible only using the buttons on the unit.

To prohibit disc ejection, press **▲** for any disc tray while holding **■**. (If there is any disc tray opened, close it first.) "LOCKED" appears for a while, and the loaded CDs are locked.

To cancel the prohibition and unlock the CDs, press **▲** for any disc tray while holding **■**. "UNLOCKED" appears for a while, and the loaded CDs are unlocked.

If you try to eject CDs "LOCKED" appears to inform you that the Tray Lock is in use.

Recording

IMPORTANT:

- It may be unlawful to record or play back copyrighted material without the consent of the copyright owner.
- The recording level is automatically set correctly, so it is not affected by the VOLUME control and the SUBWOOFER VOLUME control. Thus, during recording you can adjust the sound you are actually listening to without affecting the recording level.
- While recording, you can hear sound modes through the speakers or headphones. However, the sound is recorded without these effects (see page 10).
- If recordings you have made have excessive noise or static, the unit may be too close to a TV. Increase the distance between the TV and the unit.
- You can use type I and II tapes for recording.

To protect your recording

Cassettes have two small tabs on the back to protect unexpected erasure or re-recording.

To protect your recording, remove these tabs.



To re-record on a protected tape, cover the holes with adhesive tape.

When using type II tape, be careful not to cover the holes used to detect the tape type.

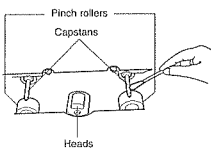
To keep the best recording and playback sound quality

If the heads, capstans, and pinch rollers of the cassette decks become dirty, the following will occur:

- Impaired sound quality
- Discontinuous sound
- Fading
- Incomplete erasure
- Difficulty in recording

To clean the heads, capstans, and pinch rollers

Use a cotton swab moistened with alcohol.

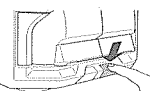


To demagnetize the heads

Turn off the unit, and use a head demagnetizer (available at electronics and record shops).

Recording a Tape on Deck B

1 Press EJECT for the deck B.



2 Put in a recordable cassette, with the exposed part of the tape down.

3 Close the cassette holder gently.

4 Check the tape direction of deck B.

- If the tape direction is not correct, press TAPE \triangleleft twice then \blacksquare to change the tape direction.

5 Start playing the source — FM, AM (LW/MW)*, CD player, deck A, or auxiliary equipment connected to AUX jacks.

- When the source is CD, you can also use CD Direct Recording (see page 20) and Auto Edit Recording (see page 21).
- When the source is deck A, you can also use the dubbing method. (See "Dubbing Tapes" on page 20.)
- See "To record an AM (LW/MW) station — Beat Cut" on page 20.

6 Start recording.

On the unit:

Press REC START/STOP.

On the remote control:

Press and hold REC START/STOP for more than 1 second.

The REC (recording) indicator lights up on the display and recording starts.

To stop during recording, press REC START/STOP again or \blacksquare .

To remove the cassette, press EJECT \triangleleft for deck B.

To record on both sides — Reverse Mode

Press REVERSE MODE so that the Reverse Mode indicator lights up as \curvearrowright .

When using the Reverse Mode for recording, start recording in the forward (\rightarrow) direction first. Otherwise, recording will stop when recording is done only on one side (reverse) of the tape.

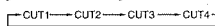
To cancel Reverse Mode, press the button again so that the Reverse Mode indicator lights up as \curvearrowright .

To record an AM (LW/MW) station — Beat Cut

While recording an AM (LW/MW) broadcast, beats may be heard (which are never heard when listening to the broadcast without recording it).

If this occurs, press PROGRAM/RANDOM repeatedly, while recording, until the beats are reduced.

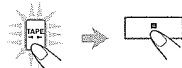
Each time you press the button, the display changes to show the following:



Dubbing Tapes

It is preferable that the tape type (type I or II) you record from be the same as the tape type you record onto when dubbing tapes.

1 Press TAPE \triangleleft , then \blacksquare .



2 Put the source cassette in deck A, and a recordable cassette into deck B.

- Put the cassettes in both decks so that the tapes will run in the forward (\rightarrow) direction.

3 Press DUBBING.

Dubbing starts.

To stop during dubbing, press \blacksquare .

To record on both sides — Reverse Mode

Press REVERSE MODE so that the Reverse Mode indicator lights up as \curvearrowright .

To cancel Reverse Mode, press the button again so that the Reverse Mode indicator lights up as \curvearrowright .

CD Direct Recording

Everything on the CD goes onto the tape in the order it is on the CD, or according to the order you have made for Program play.

1 Put a recordable cassette into deck B.

2 Place a disc correctly on the circle of the disc tray, with its label side up.

3 Press one of the disc number buttons (CD1 to CD3) to select the disc, then \blacksquare .

4 Press CD REC START.

"CD REC" appears, and the REC (recording) indicator lights up on the display.

Deck B starts recording and the CD player starts playing. When the recording is done, "CD REC FINISHED" appears on the display, and the CD player and deck B stop.

To stop during CD Direct Recording, press \blacksquare or REC START/STOP.

To record on both sides — Reverse Mode

Press REVERSE MODE so that the Reverse Mode indicator lights up as \curvearrowright .

When using the Reverse Mode for CD Direct Recording, start recording in the forward (\rightarrow) direction first. When the tape reaches its end while recording a song in the forward direction (\rightarrow), the last song will be recorded at the beginning of the reverse side (\curvearrowright).

If you start recording on the reverse side (\curvearrowright), recording will stop when recording is done only on one side (reverse) of the tape.

To cancel Reverse Mode, press the button again so that the Reverse Mode indicator lights up as \curvearrowright .

Auto Edit Recording

By using Auto Edit Recording, you can record the CD tracks to fit the tape. Auto Edit Recording makes a program by selecting the CD tracks in numerical order. However, to prevent the end of the last track on the front side from being cut off, the last track is selected so as to fit on the remaining tape length.

On the unit ONLY:

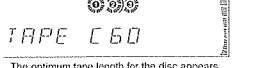
1 Load CDs.

- If the current playing source is not the CD player, press CD \rightarrow / II, then \blacksquare before going to the next step.

2 Press EDIT.



3 Press the disc number button (CD1 to CD3) for the disc you want to record from.



The optimum tape length for the disc appears.

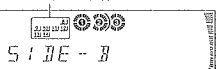
To change the tape length manually

If the tape length selected is not satisfactory, you can change the tape length by pressing \triangleleft or \triangleright .

You can select the tape length among the following — 40, 46, 50, 54, 60, 64, 70, 74, 80, 84, and 90.

4 Press SET.

Tracks to be recorded on the reverse side (SIDE-B) appear.



- Each time you press the button, the tracks to be recorded on the front side (SIDE-A) and on the reverse side (SIDE-B) alternate.

5 Put a recordable cassette of appropriate length into deck B.

6 Press REVERSE MODE so that the Reverse Mode indicator lights up as \curvearrowright .

- Without turning on the Reverse Mode (\curvearrowright), recording will stop when the front side of the tape is recorded.

7 Press CD REC START.

The REC (recording) indicator lights up on the display. Deck B starts recording then, about 10 seconds later, the CD player starts playing. When the recording is done, "CD REC FINISHED" appears on the display, and the CD player and deck B stop.

- If a tape has not been rewound, deck B will rewind the tape before it starts recording.
- A 10-second blank portion is automatically created at the beginning of each side of the tape.

To stop during Auto Edit Recording

Press \blacksquare or REC START/STOP so that a 4-second blank portion is created on the recorded tape. (Remember a 4-second blank is important when using Music Scan — see page 18.)

To cancel Auto Edit Recording

- Press CANCEL before or after play.
- Pressing one of the following buttons will also cancel Auto Edit Recording — \blacksquare , REC START/STOP, and PROGRAM/RANDOM.

Using the Timers

Continued

There are three timers available — Recording Timer, Daily Timer, and Sleep Timer.

Before using the timers, you need to set the clock built in the unit. (See page 9.)

Using Daily Timer

With Daily Timer, you can wake to your favorite music or radio program.

How Daily Timer actually works

The unit automatically turns on, set the volume level to the preset level, and starts playing the specified source when the on-time comes (the \odot indicator flashes just before the on-time, and continues flashing while the timer is operating). Then, when the off-time comes ("OFF" flashes just before the off-time), the unit automatically turns off (stands by). The timer setting remains in memory until you change it.

- There is a time limit in doing the following steps. If the setting is canceled before you finish, start from step 1 again.
- If you have made a mistake while setting timer, press CANCEL. (However, this does not always work. If CANCEL does not work, press CLOCK/TIMER repeatedly and start from step 1 again.)

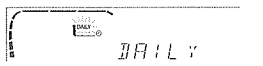
Before you start...

- When using a CD as the source to play, make sure there is a CD on the selected disc number tray.
- When using a tape as the source to play — Make sure that a tape is in the deck whose deck indicator (A or B) is lit on the display. — Make sure that the tape direction is correct.
- When using the external component as the source to play, set the timer equipped with the external component at the same time.

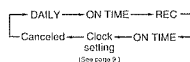
On the unit ONLY:

1 Press CLOCK/TIMER until "DAILY" appears on the display.

The DAILY (Daily Timer) indicator also starts flashing on the display.



- Each time you press the button, the timer setting modes change as follows:



2 Press CLOCK/TIMER again.

"ON TIME" appears for 2 seconds, then the unit enters on-time setting mode.



3 Set the on-time you want the unit to turn on.

- Press \triangleleft or \triangleright to set the hour, then press SET.
- Press \triangleleft or \triangleright to set the minute, then press SET. "OFF TIME" appears for 2 seconds, then the unit enters off-time setting mode.

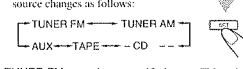
4 Set the off-time you want the unit to turn off (on standby).

- Press \triangleleft or \triangleright to set the hour, then press SET.
- Press \triangleleft or \triangleright to set the minute, then press SET. The unit enters source selecting mode.



5 Press \triangleleft or \triangleright to select the source to play, then press SET.

- Each time you press \triangleleft or \triangleright , the source changes as follows:



TUNER FM: tunes into a specified preset FM station. \rightarrow go to step 6.

TUNER AM: tunes into a specified preset AM (LW/MW) station. \rightarrow go to step 6.

CD \rightarrow : plays a disc from a specified track of a specified disc. \rightarrow go to step 6.

TAPE: plays a tape in deck A or B. \rightarrow go to step 7.

AUX: plays an external source. \rightarrow go to step 7.



6 When selecting "CD" or "TUNER FM" or "TUNER AM"

- 1) Press **1** or **2** to select the disc number, then press SET.
- 2) Press **1** or **2** to set the track number, then press SET.

The unit enters volume setting mode.

When selecting "TUNER FM" or "TUNER AM"

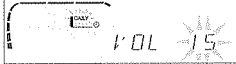
Press **1** or **2** to select the preset station number, then press SET.

The unit enters volume setting mode.

7 Press 1 or 2 to set the volume level.

You can select the volume level from among the following — "VOL. 1" — "VOL. 5" — "VOL. 10" — and "VOL. 15."

If you select "VOL. 15," the volume is set to the last level when the unit has been turned off.



8 Press SET to complete the Daily Timer setting.

The DAILY (Daily Timer) indicator stops flashing and remains lit. The settings you have done are shown on the display in sequence.

9 Press 0/1 to turn off the unit (on standby) if you have set the Daily Timer with the unit turned on.

To turn on or off Daily Timer after its setting is done

- 1 Press CLOCK/TIMER repeatedly until "DAILY" appears on the display.
- 2 To turn off the Daily Timer, press CANCEL. The DAILY (Daily Timer) indicator goes off from the display ("OFF" appears for a while). The Daily Timer is canceled, but the setting for the Daily Timer remains in memory.

To turn on the Daily Timer, press SET.

The DAILY (Daily Timer) indicator lights up on the display. The settings you have done are shown on the display in sequence for your confirmation.

Notes If the unit is turned on when the timer-on time comes Daily Timer does not work.

Using Recording Timer

With Recording Timer, you can make a tape of a radio broadcast automatically.

How Recording Timer actually works

The unit automatically turns on, tunes into the specified station, sets the volume level to "MIN," and starts recording when the on-time comes (the indicator flashes just before the on-time, and continues flashing while the timer is operating). Then, when the off-time comes ("OFF" appears just before the off-time), the unit automatically turns off (stands by).

The timer setting remains in memory until you change it.

- There is a time limit in doing the following steps. If the setting is canceled before you finish, start from step 1 again.
- If you have made a mistake while setting the timer, press CANCEL. (However, this does not always work. If CANCEL does not work, press CLOCK/TIMER repeatedly and start from step 1 again.)

On the unit ONLY:

1 Put a recordable cassette into deck B.

2 Press CLOCK/TIMER until "REC" appears on the display.

The REC (Recording Timer) indicator also starts flashing on the display.

Each time you press the button, the timer setting mode change as follows:

DAILY → ON TIME → REC

Canceled → Clock setting (See page 9)

3 Press CLOCK/TIMER again.

"ON TIME" appears for 2 seconds, then the unit enters on-time setting mode.

Using Sleep Timer

With Sleep Timer, you can fall asleep to music. You can set Sleep Timer when the unit is turned on.

How Sleep Timer actually works

The unit automatically turns off after the specified time length passes.

On the remote control ONLY:

1 Press SLEEP.

The time length until the shut-off time appears and the SLEEP indicator starts flashing on the display.

- Each time you press the button, the time length changes as follows:

10 → 20 → 30 → 60 → 90 → 120

Canceled

2 Wait for about 5 seconds after specifying the time length.

The SLEEP indicator stops flashing and remains lit.

To check the remaining time until the shut-off time, press SLEEP once so that the remaining time until the shut-off time appears for about 5 seconds.

To change the shut-off time, press SLEEP repeatedly until the desired time length appears on the display.

To cancel the setting, press SLEEP repeatedly so that the SLEEP indicator goes off.

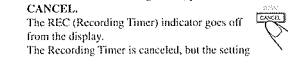
- Sleep Timer is also canceled when you turn off the unit.

Timer Priority

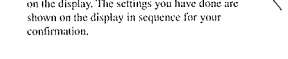
Since each timer can be set separately, you may wonder what happens if the setting for these timers overlaps. Here are examples.

Recording Timer has priority over Daily Timer and Sleep Timer.

If Daily Timer is set to come on while Recording Timer is operating, Daily Timer will not come on at all.



If Recording Timer is set to come on while Sleep Timer is operating, Sleep Timer will not work (the SLEEP indicator does not go off).



Maintenance



To get the best performance of the unit, keep your discs, tapes, and mechanism clean.

Handling discs

- Remove the disc from its case by holding it at the edge while pressing the center hole lightly.
 - Do not touch the shiny surface of the disc, or bend the disc.
 - Put the disc back in its case after use to prevent warping.
 - Be careful not to scratch the surface of the disc when placing it back in its case.
 - Avoid exposure to direct sunlight, temperature extremes, and moisture.
- To clean the disc**
- Wipe the disc with a soft cloth in a straight line from center to edge.

Handling cassette tapes

- If the tape is loose in its cassette, take up the slack by inserting a pencil in one of the reels and rotating.
- If the tape is loose, it may get stretched, cut, or caught in the cassette.
- Be careful not to touch the tape surface.
- Avoid the following places to store the tape:
 - In dusty places
 - In direct sunlight or heat
 - In moist areas
 - Near a magnet

DO NOT use any solvent — such as conventional record cleaner, spray, thinner, or benzine — to clean the disc.

Troubleshooting



If you are having a problem with your unit, check this list for a possible solution before calling for service. If you cannot solve the problem from the hints given here, or the unit has been physically damaged, call a qualified person, such as your dealer, for service.

Symptom	Cause	Action
No sound is heard.	Connections are incorrect or loose.	Check all connections and make corrections. (See pages 6 to 8.)
Hard to listen to broadcasts because of noise.	• Antennas are disconnected. • The AM (LW/MW) loop antenna is too close to the unit. • The FM antenna is not properly extended and positioned.	• Reconnect the antennas correctly and securely. • Change the position and direction of the AM (LW/MW) loop antenna. • Extend the FM antenna at the best position.
The disc sound is discontinuous.	The disc is scratched or dirty.	Clean or replace the disc. (See page 25.)
The disc tray does not open or close.	• The AC power cord is not plugged in. • Trays are locked.	• Plug the AC power cord. • Unlock the trays. (See page 17.)
The disc does not play.	The disc is placed upside down.	Place the disc with the label side up.
The cassette holders cannot be opened.	Power supply from the AC power cord has been cut off while the tape was running.	Turn on the unit.
Impossible to record.	Small tabs on the back of the cassette are removed.	Cover the holes with adhesive tape.
Operations are disabled.	The built-in microprocessor may malfunction due to external electrical interference.	Unplug the AC power cord and then plug it back in.
Unable to operate the unit from the remote control.	• The path between the remote control and the remote sensor on the unit is blocked. • The batteries are exhausted.	• Remove the obstruction. • Replace the batteries.

Additional Information



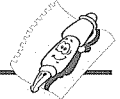
Description of the PTY codes:

NEWS:	News.
AFFAIRS:	Topical program expanding or enlarging upon the news — debate, or analysis.
INFO:	Program the purpose of which is to impart advice in the widest sense.
SPORT:	Program concerned with any aspect of sports.
EDUCATE:	Educational programs.
DRAMA:	All radio plays and serials.
CULTURE:	Programs concerning any aspect of national or regional culture, including language, theater, etc.
SCIENCE:	Programs about natural sciences and technology.
VARIED:	Used for mainly speech-based programs like quizzes, panel games and personality interviews.
POP M:	Commercial music of current popular appeal.
ROCK M:	Rock music.
M.O.R. M:	Current contemporary music considered to be "easy-listening."
LIGHT M:	Instrumental music, and vocal or choral works.
CLASSICS:	Performances of major orchestral works, symphonies, chamber music, etc.
OTHER M:	Music not fitting into any of the other categories.
WEATHER:	Weather reports and forecasts.

FINANCE:	Stock Market reports, commerce, trading etc.
CHILDREN:	Programs targeted at a young audience.
SOCIAL A:	Programs about sociology, history, geography, psychology and society.
RELIGION:	Religious programs.
PHONE IN:	Involving members of the public expressing their views either by phone or at a public forum.
TRAVEL:	Travel information.
LEISURE:	Programs about recreational activities.
JAZZ:	Jazz music.
COUNTRY:	Songs which originate from, or continue the musical tradition of the American Southern States.
NATIONAL:	Current popular music of the nation or region in that country's language.
OLDBIES:	Music from the so-called "golden age" of popular music.
FOLK M:	Music which has its roots in the musical culture of a particular nation.
DOCUMENT:	Program concerning factual matters, presented in an investigative style.
TRAFFIC:	Traffic announcement.

Classification of the PTY codes for some FM stations may be different from the above list.

Specifications



Amplifier section

Output Power (IEC 268-3/DIN)
 SUBWOOFERS: 84 W per channel, min. RMS, both channels driven into 5 Ω at 63 Hz with no more than 0.9% total harmonic distortion.
 MAIN SPEAKERS: 20 W per channel, min. RMS, both channels driven into 6 Ω at 1 kHz with no more than 0.9% total harmonic distortion.
 Audio input sensitivity/impedance (at 1 kHz, measured at MAIN SPEAKERS)
 AUX: 340 mV/50 kΩ
 Audio output level
 AUX: 260 mV
 Digital output: CD OPTICAL DIGITAL OUTPUT
 Signal wave length: 660 nm
 Output level: -15 dBm to -12 dBm
 Speakers/impedance: 6 Ω - 16 Ω

Tuner

FM tuning range: 87.30 MHz - 108.00 MHz
 AM tuning range: MW: 522 kHz - 1,629 kHz
 LW: 144 kHz - 288 kHz

CD player

CD Capacity: 3 CDs
 Dynamic range: 85 dB
 Signal-to-noise ratio: 90 dB
 Wow and flutter: Inmeasurable

Cassette deck

Frequency response
 Normal (type I): 50 Hz - 14,000 Hz
 CrO: (type II): 50 Hz - 14,000 Hz
 Metal (type IV): 50 Hz - 14,000 Hz (only for playback)
 Wow and flutter
 0.15% (WRMS)

General

Power requirement: AC 230 V~, 50 Hz
 Power consumption: 145 W (at operation)
 17 W (on standby)
 Dimensions (approx.): 265 mm x 335 mm x 308 mm (W/H/D)
 (10 7/8 in. x 13 1/8 in. x 14 1/8 in.)
 Mass (approx.): 10.5 kg (22.5 lbs)

Supplied accessories

See page 6.

Design and specifications are subject to change without notice.

Instructions(SP-MXJ950R)

JVC INSTRUCTIONS SPEAKER SYSTEM SP-MXJ950R

**BEIENUNGSANLEITUNG: LAUTSPRECHERSYSTEM
MANUEL D'INSTRUCTIONS: SYSTEME DES ENCEINTES
GEBRUIKSAANWIJZING: LUIDSPREKERSYSTEEM
MANUAL DE INSTRUCCIONES: SISTEMA DE ALTAVOCES
ISTRUZIONI: SISTEMA DI ALTOPARLANTI
BRUKSANVISING: HÖGTALARSYSTEM
VELEIDNING: HÖJTTALARSYSTEM
KÄYTTÖOHJE: KAUTINJÄRJESTELMÄ**

Thank you for purchasing JVC speakers.
Before you begin using them, please read the instructions carefully to be sure you get the best possible performance. If you have any questions, consult your JVC dealer.

Vielen Dank für den Kauf dieser JVC-Lautsprecher.
Lesen Sie diese Bedienungsanleitung vor Ingebrauchnahme sorgfältig durch, um stets optimale Ergebnisse zu erzielen. Wenden Sie sich bei etwaigen Fragen bitte an Ihren JVC Händler.

Nous vous remercions pour l'achat de ces enceintes JVC.
Avant de les utiliser, lre ces instructions avec attention pour en obtenir les meilleures performances possibles. En cas de questions, consultez votre revendeur JVC.

Dank u voor de aankoop van deze luidsprekers.
Lees alvorens over te gaan tot aansluiten, deze gebruiksaanwijzing door zodat u de best mogelijke prestaties zult verkrijgen. Neem contact op met de JVC-dealer indien u vragen heeft.

Le estamos muy agradecidos por haber adquirido estas altavoces de JVC.
Antes de utilizarlos, sivese leer las instrucciones detenidamente a fin de obtener el mejor rendimiento posible. Si tiene alguna pregunta, acuda a su agente de JVC.

Gracie per aver acquistato questi altoparlanti della JVC.
Prima di cominciare l'uso degli altoparlanti, leggete attentamente le istruzioni per assicurare le migliori prestazioni. Qualora sorgessero dei dubbi, rivolgetevi al vostro rivenditore JVC.

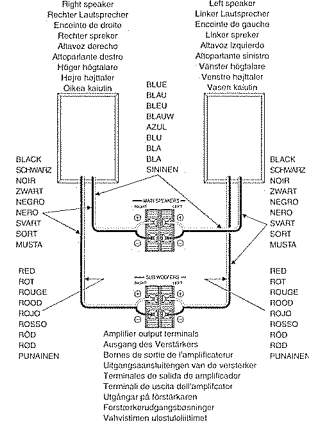
Tak för ditt val av dessa JVC-högtalare.
Innan du kopplar in högtalarna i din ljudanläggning bör du för att få maximala prestanda från högtalarna läsa igenom bruksanvisningen noggrant. Kontakta din JVC-steroför säljare om du har frågor eller känner dig osäker.

Tak for købet af JVC-højttalere.
Gennemlæs venligst vejledningen omhyggeligt for de dage i brug, så De kan opnå den bedst mulige ydelse. Forhør hos Deres JVC forhandler hvis De har nogen spørgsmål.

Kiitos siid eite päädyit valinnassasi JVC-kautitimiin.
Ennen kuin alat käyttää niitä, lue käyttöohje huolellisesti, jotta ne toimisivat parhaimmalla mahdollisella tavalla. Jos sinulla on kysyttävää oia yhteys JVC-edustajaan.

Спасибо за покупку ваших динамиков JVC.
Перед использованием внимательно прочтите инструкции, чтобы обеспечить наилучшее качество звучания. Если у вас возникнут вопросы, обратитесь к своему представителю JVC.

Connection
Anschluß
Raccordement
Aansluiting
Conexión
Colegamento
Anslutning
Tilslutning
Litäntä



CONNECTION

- Turn off power to the whole system before connecting the speakers to the amplifier.
- The maximum power handling capacity of the SP-MXJ950R main speaker is 50 W/sub woofer is 150 W. Excessive input will result in abnormal noise and possible damage. In cases where the signals described below are applied to the speakers, even if the signals are below the maximum allowable input, they may cause an overload and burn the wiring of the speakers. Be sure to lower the amplifier volume beforehand.
 - Noise during FM tuning.
 - High level signals containing high frequency components produced by a tape deck in the fast forward mode.
 - Click noise produced when turning power of other components on and off.
 - Click noise produced when connecting or disconnecting cords with the power on.
 - Click noise produced when the cartridge is replaced with the power on.
 - Click noise produced when operating amplifier switches.
 - Continuous high frequency oscillation or high pitch electronically produced musical instrument sound.
 - Howling when using a microphones.

SPECIFICATIONS

Type	: 4-way 4-speaker Bass-Reflex Type Twin Hyper Power-Drive Subwoofer
Speakers	20 cm (7-7/8") cone x 1 Main woofer : 20 cm (7-7/8") cone x 1 Mid Range : 5 cm (2") cone x 1 Tweeter : 2 cm (13/16") dome x 1
Power Handling Capacity	Subwoofer : 150 W Main Speaker : 50 W
Impedance	Subwoofer : 6 Ω Main Speaker : 6 Ω
Frequency Range	Subwoofer : 25 Hz - 1 200 Hz Main Speaker : 75 Hz - 29 000 Hz
Sound Pressure Level	Subwoofer : 74 dB/W.m Main Speaker : 88 dB/W.m
Dimensions (A x H x D)	: 330 mm x 335 mm x 407mm (13" x 13-1/4" x 16-1/16")
Mass	: 8.2 kg (18.1 lbs) each

Design and specifications subject to change without notice.

— SAFETY INSTRUCTIONS — "SOME DOS AND DON'TS ON THE SAFE USE OF EQUIPMENT"

- This equipment has been designed and manufactured to meet international safety standards but, like any electrical equipment, care must be taken if you are to obtain the best results and safety is to be assured.
- Do read the operating instructions before you attempt to use the equipment.
- Do ensure that all electrical connections (including the mains plug, extension leads and interconnections between pieces of equipment) are properly made and in accordance with the manufacturer's instructions. Switch off and unplug the mains plug when making or changing connections.
- Do consult your dealer if you are ever in doubt about the installation, operation or safety of your equipment.
- Do be careful with glass panels or doors on equipment.
- DON'T continue to operate the equipment if you are in any doubt about it working normally, or if it is damaged in any way — switch off, withdraw the mains plug and consult your dealer.
- DON'T remove any fixed cover as this may expose dangerous voltages.
- DON'T leave equipment switched on when it is unattended unless it is specifically stated that it is designed for unattended operation or has a standby mode.
- Switch off using the switch on the equipment and make sure that your family know how to do this.
- Special arrangements may need to be made for infirm or handicapped people.
- DON'T use equipment such as personal stereos or radios so that you are distracted from the requirements of traffic safety. It is illegal to watch television whilst driving.
- DON'T listen to headphones at high volume as such use can permanently damage your hearing.
- DON'T obstruct the ventilation of the equipment, for example with curtains or soft furnishings.
- Overheating will cause damage and shorten the life of the equipment.
- DON'T use makeshift stands and NEVER fix legs with wood screws — to ensure complete safety always fit the manufacturer's approved stand or legs with the fixings provided according to the instructions.
- DON'T allow electrical equipment to be exposed to rain or moisture.
- NEVER** let anyone, especially children, push anything into holes, slots or any other opening in the case.
- This could result in a fatal electrical shock; —
- NEVER guess or take chances with electrical equipment of any kind — it is better to be safe than sorry!

GVT0041-001A
E

ANSCHLUSS

- Schalten Sie vor dem Anschluß der Lautsprecher an den Verstärker die Spannungsversorgung des gesamten Systems aus.
- Die maximale Belastbarkeit des SP-MXJ950R-Hauptlautsprechers ist 50 W und die des Subwoofers ist 150 W. Eine Überlastung führt zu Verzerrungen und möglicherweise zu Beschädigungen. Signale der unten beschriebenen Art können, auch wenn sie unter dem maximal zulässigen Eingang liegen, eine Überlastung verursachen und die Lautsprecherwirkungen durchdröhnen. Vermeiden Sie vorher die Lautstärke des Verstärkers.
 - Geräusche beim Einstellen von UKW-Sendern.
 - Hochpegelige Signale mit Hochfrequenz-Anteilen, die von Tonbanddecks beim Schnellverspulen erzeugt werden.
 - Klickgeräusche, wenn die Spannungsversorgung anderer Komponenten ein- und ausgeschaltet wird.
 - Klickgeräusche, wenn Kabel angeschlossen oder abgetrennt werden, während die Spannungsversorgung eingeschaltet ist.
 - Klickgeräusche, wenn der Tonabnehmer des Plattenspielers ausgewechselt wird, während die Spannungsversorgung eingeschaltet ist.
 - Klickgeräusche, die beim Betätigen von Schaltern des Verstärkers erzeugt werden.
 - Ständige Hochfrequenzschwingungen oder elektronisch erzeugte Töne von Musikinstrumenten mit hohen Tonhöhen.
 - Rückkopplungen von Mikrofonen.

RACCORDMENT

- Mettez hors circuit tout le système avant de raccorder les enceintes à l'amplificateur.
- La puissance maximale admissible par le haut-parleur principal de SP-MXJ950R est de 50 W, celle admissible par le haut-parleur d'extrêmes graves est de 150 W. En dépassant la puissance admissible, cela provoquera des bruits anormaux et détériorera les enceintes.
- Au cas où les signaux décrits ci-dessous sont envoyés aux enceintes, et même si ces signaux sont inférieurs à la puissance d'entrée maximum admissible, ils risquent de provoquer une surcharge ou même un incendie. S'assurer de bien diminuer le volume sonore de l'amplificateur.
 - Parasites durant une sintonisation FM.
 - Signaux de niveau élevé contenant des composants à haute fréquence, comme ceux générés par une platine d'enregistrement en mode avance rapide.
 - Cliqueux se produisant lorsque d'autres appareils sont mis en ou hors circuit.
 - Cliqueux se produisant lorsque des appareils sont branchés ou débranchés alors que leur alimentation est en circuit.
 - Cliqueux se produisant lorsque la cellule d'une platine tournante est changée alors que l'alimentation est en circuit.
 - Cliqueux se produisant lorsque les commandes de l'amplificateur sont manipulées.
 - Oscillations continues à haute fréquence ou sons très aigus provenant d'instruments de musique électroniques.
 - Hurllements dus à l'utilisation de micros.

AANSLUITINGEN

- Schakel de spanning van alle aangesloten componenten uit alvorens de luidsprekers met de versterker te verbinden.
- Het maximale vermogen van de SP-MXJ950R hoofd-luidspreker is 50 W en van de subwoofer 150 W. Te hoge ingang kan in abnormaal geluidsproductie en in beschadigingen resulteren. Overbelasting en verbranding van de bedrading kan worden veroorzaakt, wanneer de hieronder beschreven signalen naar de luidsprekers worden gevoerd, zelfs wanneer de signalen onder het maximale toegestane ingangsvermogen zijn. Verminder eerst het volume van de versterker.
 - Ruis, zoals dit optreedtijds afstemming op een FM-zender.
 - Hoogfrequentie signalen van een hoog niveau, zoals die tijdens het vooruitspoelen van een tapedeck worden geproduceerd.
 - Klikkende geluiden, die worden veroorzaakt door het in- en uitschakelen van de netspanning van andere componenten.
 - Klikkende geluiden, zoals die worden geproduceerd bij het lot stand brengen of verbreken van aansluitingen terwijl de netspanning is ingeschakeld.
 - Klikkende geluiden, zoals die optreden bij het vervangen van het element van een draaitafel terwijl de netspanning is ingeschakeld.
 - Klikkende geluiden, zoals die worden geproduceerd door bedrading van de schakelaars van de versterker.
 - Voortdurende hoogfrequentie-oscillatie, of hoogtoegie, elektronisch geproduceerde geluiden van muzikinstrumenten.
 - Ronzigend geluid bij gebruik van microfoons.

CONEXIÓN

- Desactive la alimentación de todo el sistema antes de conectar los altavoces al amplificador.
- La capacidad máxima de potencia del altavoz principal del SP-MXJ950R es de 50 W y la del altavoz de subgraves es de 150 W. Una entrada excesiva resultara en ruido anormal y posibles daños.
- En casos donde las señales descritas más abajo se apliquen a los altavoces, aunque las mismas resulten menores que la entrada máxima permisible, pueden causar una sobrecarga y quemar el cableado de los altavoces. Asegúrese de disminuir el volumen del amplificador con anterioridad.
 - Ruido durante la sintonía en FM.
 - Señales de alto nivel que contienen componentes de alta frecuencia producidos por un magnetofono en el modo de avance rápido.
 - Ruidos de conmutación provocados al encender y apagar otros componentes.
 - Ruido de conmutación al conectar o desconectar cables con los componentes encendidos.
 - Ruido de conmutación cuando se reemplaza la cápsula con los componentes encendidos.
 - Ruido de conmutación provocados por la operación de los selectores del amplificador.
 - Continua oscilación de alta frecuencia o de sonidos de tonos altos provocados por instrumentos electrónicos.
 - Aullidos a utilizar microfonos.

TECHNISCHE DATEN

Type	: 4-Weg, 4-Lautsprecher-Bafflebox Twin Hyper Power-Drive Subwoofer
Lautsprecher	
Subwoofer	: 20 cm Körus x 1
Hauptwoofer	: 20 cm Körus x 1
Mitteltöner	: 5 cm Körus x 1
Hochtöner	: 2 cm Aufgekeltch x 1
Belastbarkeit:	
Subwoofer	: 150 W
Hauptlautsprecher	: 50 W
Impedanz:	
Subwoofer	: 6 Ω
Hauptlautsprecher	: 6 Ω
Frequenzbereich:	
Subwoofer	: 25 Hz bis 1 200 Hz
Hauptlautsprecher	: 75 Hz bis 29 000 Hz
Schalldruckpegel:	
Subwoofer	: 74 dB/W.m
Hauptlautsprecher	: 88 dB/W.m
Abmessungen (B x H x T)	: 330 mm x 335 mm x 407 mm
Gewicht	: Je 8,2 kg

Technische Änderungen vorbehalten.

CARACTERÍSTICAS

Type	: 4-voies, 4 haut-parleurs type à réflexion des bases Twin Hyper Power-Drive Subwoofer
Haut-parleurs	
Extrêmes graves	: conique de 20 cm x 1
Principal	: conique de 20 cm x 1
Médium	: conique de 5 cm x 1
Aigus	: dôme de 2 cm x 1
Puissance maximale admissible	
Haut-parleur d'extrêmes graves	: 150 W
Haut-parleur principal	: 50 W
Impédance	
Haut-parleur d'extrêmes graves	: 6 Ω
Haut-parleur principal	: 6 Ω
Bande passante	
Haut-parleur d'extrêmes graves	: 25 Hz-1 200 Hz
Haut-parleur principal	: 75 Hz-29 000 Hz
Précision sonore	
Haut-parleur d'extrêmes graves	: 74 dB/W.m
Haut-parleur principal	: 88 dB/W.m
Dimensions (L x H x P)	: 330 mm x 335 mm x 407 mm
Mass	: 8.2 kg chaque

Présentation et caractéristiques modifiables sans préavis.

TECHNISCHE GEGEVENS

Type	: 4-weg 4-luidsprekers 4 bass reflex Twin Hyper Power-Drive Subwoofer
Luidsprekers	
Subwoofer	: 20 cm kegeltype x 1
Hoofdwoofer	: 20 cm kegeltype x 1
Midrange	: 5 cm kegeltype x 1
Tweeter	: 2 cm kople x 1
Maximale vermogen	
Subwoofer	: 150 W
Hoofd-luidspreker	: 50 W
Impedantie	
Subwoofer	: 6 Ω
Hoofd-luidspreker	: 6 Ω
Frekventiebereik	
Subwoofer	: 25 Hz-1 200 Hz
Hoofd-luidspreker	: 75 Hz-29 000 Hz
Geluidsdrukvermogen	
Subwoofer	: 74 dB/W.m
Hoofd-luidspreker	: 88 dB/W.m
Afmetingen (B x H x D)	: 330 mm x 335 mm x 407 mm
Gewicht	: Elk 8,2 kg

Veranderingen in technische gegevens en ontwerp onder voorbehoud.

ESPECIFICACIONES

Type	: Reflex bajo con 4-altavoces y 4 vías Twin Hyper Power-Drive Subwoofer
Altavoces	
De subgraves	: Tipo cónico de 20 cm x 1
Principal	: Tipo cónico de 20 cm x 1
De Medios	: Tipo cónico de 5 cm x 1
De agudos	: Tipo domo de 2 cm x 1
Capacidad de potencia	
De subgraves	: 150 W
Principal	: 50 W
Impedancia	
De subgraves	: 6 Ω
Principal	: 6 Ω
Gama de frecuencias	
De subgraves	: 25 Hz-1 200 Hz
Principal	: 75 Hz-29 000 Hz
Nivel de presión acústica	
De subgraves	: 74 dB/W.m
Principal	: 88 dB/W.m
Dimensiones (An x Al x Pl)	: 330 mm x 335 mm x 407 mm
Peso	: 8.2 kg cada uno

El diseño y las especificaciones están sujetos a cambio sin aviso.

MX-J900/MX-J950R

COLLEGAMENTO

- Spegnete la corrente dell'intero sistema prima di collegare gli altoparlanti all'amplificatore.
 - La capacità di potenza massima dell'altoparlante principale del modello SP-MXJ950R è di 50 W o quella del subwoofer è di 150 W. Un ingresso eccessivo causerà un suono anormale o possibili danni.
- Nel caso in cui i segnali descritti qui sotto vengono applicati agli altoparlanti, possono causare un sovraccarico o bruciare il cablaggio degli altoparlanti, anche se i segnali siano al di sotto dell'ingresso massimo ammesso.
- Assicuratevi di diminuire il livello del volume dell'altoparlante prima di procedere.
- 1) Generazione di rumore durante la sintonizzazione FM.
 - 2) Segnali di alto livello che contengono dei componenti ad alta frequenza riprodotti da una piastra a cassette nel modo di avanzamento rapido.
 - 3) Si sentirà uno scatto quando accendete o spegnete la corrente degli altri componenti.
 - 4) Si sentirà uno scatto quando collegate o scollegate i cavi con la corrente accesa.
 - 5) Si sentirà uno scatto quando viene sostituita la cartuccia con la corrente accesa.
 - 6) Si sentirà uno scatto quando vengono usati gli interruttori dell'amplificatore.
 - 7) Oscillazione continua ad alta frequenza o suoni acuti da strumenti musicali elettronici.
 - 8) Ululato quando usate i microfoni.

ANSLUTNING

- Stå av strömmen i alla apparater i ljudanläggningen innan högtalarna ansluts till förstärkaren.
 - Maximal effekthanteringskapacitet för SP-MXJ950R är 50 W för huvudhögtalare/150 W för lågbasshögtalare. Bus uppstår i ljudet och högtalarna kan skadas om de matas med för hög effekt. I situationerna som beskrivs nedan kan högtalarna också överbelastats och kabeltråden inne i högtalarna brännas sönder, fastän högtalarnas effekt inte har överskridits.
- Sänk därför ljudstyrkan på förhand.
- 1) Bus under inställning av FM-radestationer.
 - 2) Starka, högfrekventa signaler från ett kassettdeck under snabbspolning framåt.
 - 3) Ljudbangar som uppstår när andra apparater i anläggningen slås till och från.
 - 4) Skrapljud som uppstår när anslutningskablar ansluts eller kopplas från medan strömmen är på.
 - 5) Skrapljud som uppstår när pickupelementet på en skivspolare byts medan strömmen är på.
 - 6) Ljudbangar som uppstår när du använder förstärkarens omkopplare.
 - 7) Kontinuerliga, högfrekvenssvängningar eller högfrekvent ljud från elektroniska musikinstrument.
 - 8) Akustisk återkoppling (jultande ljud) vid bruk av mikrofoner.

TILSLUTNING

- Slut for strømmen til hele systemet for højttalerne forbindes til förstärkaren.
 - Den maksimale belastningskapacitet for SP-MXJ950R hovedhøjttaleren er 50 W/for subwooferen 150 W. For kraftigt indgangssignal vil resultere i unormal støj og muligvis beskadigelse.
- I tilfælde hvor højttalerne udsættes for signaler beskrevet nedenfor, kan der forekomme overbelastning og overbrænding af ledningerne i højttalerne selv om signalets styrke er under den maksimale tilladte værdi. Husk derfor at sænke højttalerlydstyrken i forvejen.
- 1) Støj under FM-afstemning.
 - 2) Signaler med høje niveauer der indeholder højfrekvente komponenter dannet af en bånddeplager der er indstillet til hurtig fremspoling.
 - 3) Klissetøj dannet når der tændes eller slukkes for strømmen til andre komponenter.
 - 4) Klissetøj der dannes når ledninger tilsluttes eller tages ud af forbindelse mens der er tændt for strømmen.
 - 5) Klissetøj der dannes når pickuppen udskiftes mens der er tændt for strømmen.
 - 6) Klissetøj der dannes når forstærkerens omskifter betjenes.
 - 7) Fortsat høj frekvenssvingning, eller en høj lyd dannet af et elektronisk instrument.
 - 8) Hylstoner når der anvendes en mikrofon.

LIITÄNTÄ

- Katkaiske koko järjestelmän virta ennen kuin suoritat liitännät kaiuttimista vahvistimeen.
 - Mallin SP-MXJ950R pääkaiuttimen nimimäärä on 50 W, apubassokaiuttimen 150 W. Liiallinen antoteho aiheuttaa epänormaalia kohinaa ja jopa vahinkoa.
- Tapauksissa, missä kaiuttimet joutuvat alle kuvattujen signaalien kohteeksi, vaikka signaalit olisivat alle sallitun maksimi antotehon, ne saattavat aiheuttaa ylikuumumista ja polttaa kaiuttimien johdot.
- Vähennä siis vahvistimen äänenvoimakkuutta jo ennalta.
- 1) Kohinaa FM-virityksen aikana.
 - 2) Kassettidekistä ateenpääntekäytön aikana muodostuneet vahvat, korkeataajuuksisia komponenteja sisältävät signaalit.
 - 3) Klippi-ääni, joka syntyy silloin kun toisten osien virta kytketään ja katkaistaan.
 - 4) Klippi-ääni, joka syntyy silloin kun kytketään tai irrotetaan johtoja virran ollessa päällä.
 - 5) Klippi-ääni, joka syntyy silloin kun vaihdetaan hiely virran ollessa päällä.
 - 6) Klippi-ääni, joka syntyy silloin kun käytetään vahvistimen kytkimiä.
 - 7) Jatkuva korkeaa värähtely tai elektronisesti tuotettu korkeaa soittimen ääni.
 - 8) Uusina mikrofonina käytettäessä.

SPECIFICAZIONI

Typo	
Altoparlanti	: Reflex basso con 4-altoparlanti e 4 vie Twin Hyper Power-Drive Subwoofer
Subwoofer	: Cono da 20 cm x 1
Woofers principale	: Cono da 20 cm x 1
Midrange	: Cono da 5 cm x 1
Tweeter	: Cupola da 2 cm x 1
Capacità di potenza	
Subwoofer	: 150 W
Altoparlante principale	: 50 W
Impedenza	
Subwoofer	: 6 Ω
Altoparlante principale	: 6 Ω
Gamma di frequenza	
Subwoofer	: 25 Hz-1 200 Hz
Altoparlante principale	: 75 Hz-29 000 Hz
Livello di pressione sonora	
Subwoofer	: 74 dB/W-m
Altoparlante principale	: 88 dB/W-m
Dimensioni (L x A x P)	: 330 mm x 335 mm x 407 mm
Massa	: 8,2 kg ciascuno

Il disegno e le specificazioni sono soggetti a cambiamenti senza preavviso.

TEKNISKA DATA

Typ	
Högtalarelement	
Lågbaselement	: 20 cm kon x 1
Huvudbaselement	: 20 cm kon x 1
Mellanregistren	: 5 cm kon x 1
Diskantelement	: 2 cm dome x 1
Effekthanteringskapacitet	
Lågbasehögtalare	: 150 W
Huvudhögtalare	: 50 W
Impedans	
Lågbasehögtalare	: 6 Ω
Huvudhögtalare	: 6 Ω
Frekvensomfång	
Lågbasehögtalare	: 25 Hz-1 200 Hz
Huvudhögtalare	: 75 Hz-29 000 Hz
Ljudtrycknivå	
Lågbasehögtalare	: 74 dB/W-m
Huvudhögtalare	: 88 dB/W-m
Yttermått (B x H x D)	: 330 mm x 335 mm x 407 mm
Vikt	: 8,2kg perst.

Rätt till ändringar av utförande och specifikationer förbehålles utan föregående meddelande.

SPECIFIKATIONER

Type	
Högtalare	
Subwoofer	: 20 cm membran x 1
Hoved-bashögtalare	: 20 cm membran x 1
Mellanregistertalare	: 5 cm membran x 1
Diskantenhögtalare	: 2 cm dome x 1
Belastningskapacitet	
Subwoofer	: 150 W
Hovedhögtalare	: 50 W
Impedans	
Subwoofer	: 6 Ω
Hovedhögtalare	: 6 Ω
Frekvensområde	
Subwoofer	: 25 Hz-1 200 Hz
Hovedhögtalare	: 75 Hz-29 000 Hz
Lydtrykkniveau	
Subwoofer	: 74 dB/W-m
Hovedhögtalare	: 88 dB/W-m
Mått (B x H x D)	: 330 mm x 335 mm x 407 mm
Vægt	: 8,2 kg hver

Design og specifikationer kan blive ændret uden varsel.

TEKNISET TIEDOT

Tyyppi	
Kaiuttimet	
Apubasso	: 20 cm karttumuotoinen x 1
Pääbasso	: 20 cm karttumuotoinen x 1
Keskikaiutin	: 5 cm karttumuotoinen x 1
Diskantti	: 2 cm holvi x 1
Enimmäisteho	
Apubasso	: 150 W
Pääbasso	: 50 W
Impedanssi	
Apubasso	: 6 Ω
Pääkaiutin	: 6 Ω
Taajuusala	
Apubasso	: 25 Hz-1 200 Hz
Pääkaiutin	: 75 Hz-29 000 Hz
Äänenpainotaso	
Apubasso	: 74 dB/W-m
Pääkaiutin	: 88 dB/W-m
Mitat (L x K x S)	: 330 mm x 335 mm x 407 mm
Paino	: 8,2 kg/kaiutin

Oikoudet muutoksiin pidätetään.

EN, GE, FR, NL, SP, IT, SW, FI, DA.



VICTOR COMPANY OF JAPAN, LIMITED

1259JVMFRIEM

Disassembly method

<Main body>

■ Removing the metal cover

(See Fig.1 to 3)

1. Remove the six screws **A** attaching the metal cover on the back of the body.
2. Remove the two screws **B** attaching the metal cover on both sides of the body.
3. Remove the metal cover from the body by lifting the rear part of the cover.

ATTENTION: Do not break the front panel tab fitted to the metal cover.

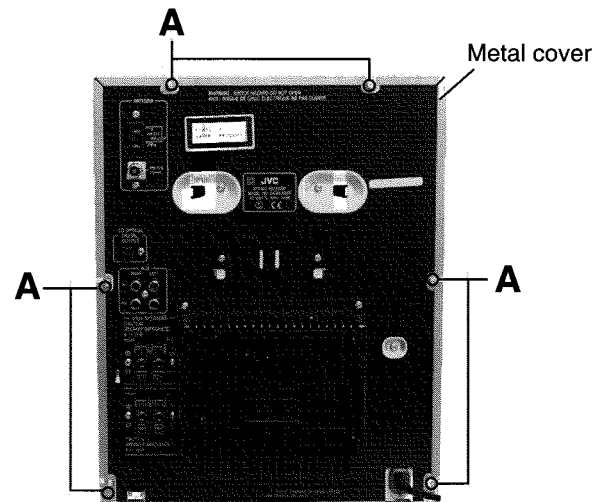


Fig.1

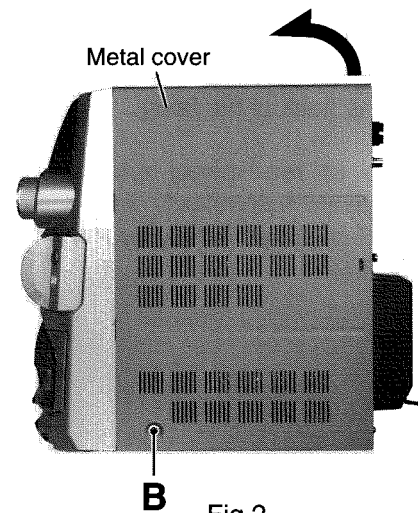


Fig.2

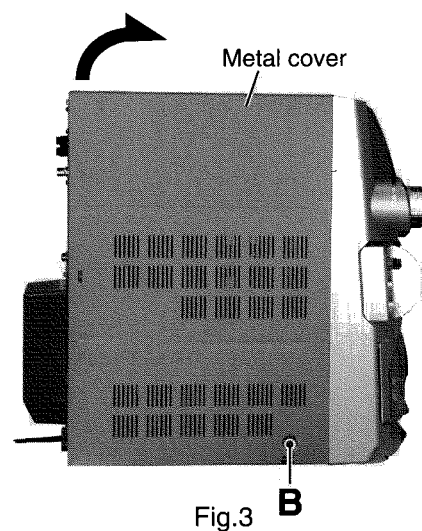


Fig.3

■ Removing the CD changer mechanism assembly (See Fig.4 to 6)

• Prior to performing the following procedure, remove the metal cover.

1. For the card wire connecting the CD changer mechanism board and the main board, disconnect it from connector CN868 on the main board.
2. Remove the two screws **C** attaching the CD changer mechanism assembly on both sides of the body.
3. Remove the two screws **D** attaching the CD changer mechanism assembly to the rear panel. Remove the screw **E** attaching the AUX terminal, two screws **F** attaching MAIN speaker terminal and two screws **F'** attaching the SUB woofer terminal on the back of the body.
4. Remove the screws **E'** attaching the digital output terminal on the back of the body.
5. Pull the top of rear panel and the front panel assembly outward respectively, then remove the CD changer mechanism assembly by lifting the rear part of the assembly.

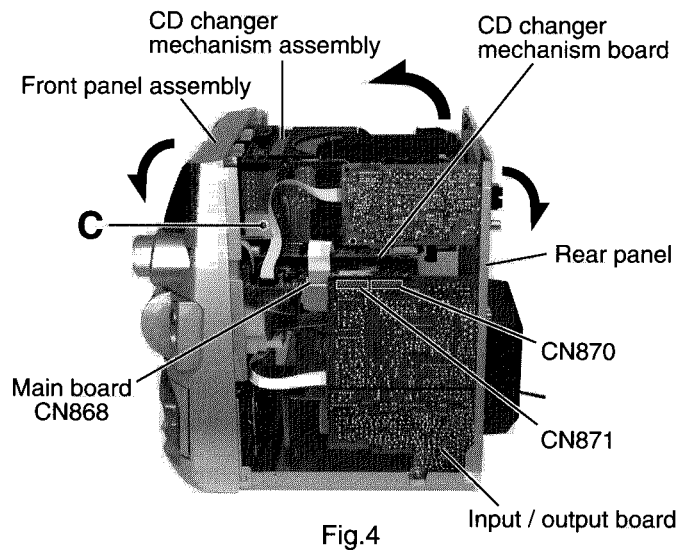


Fig.4

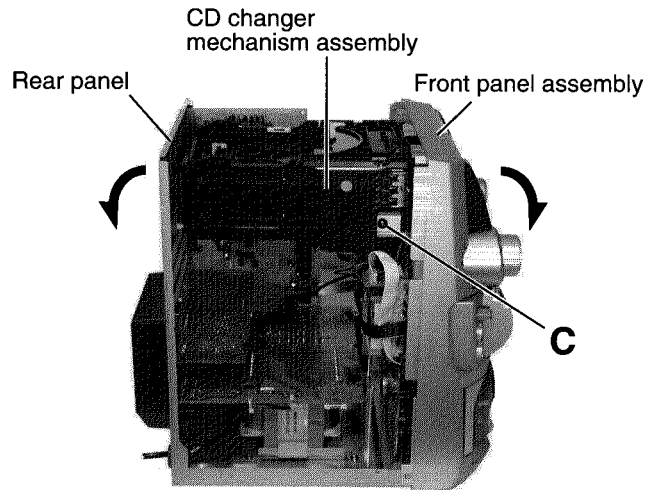


Fig.5

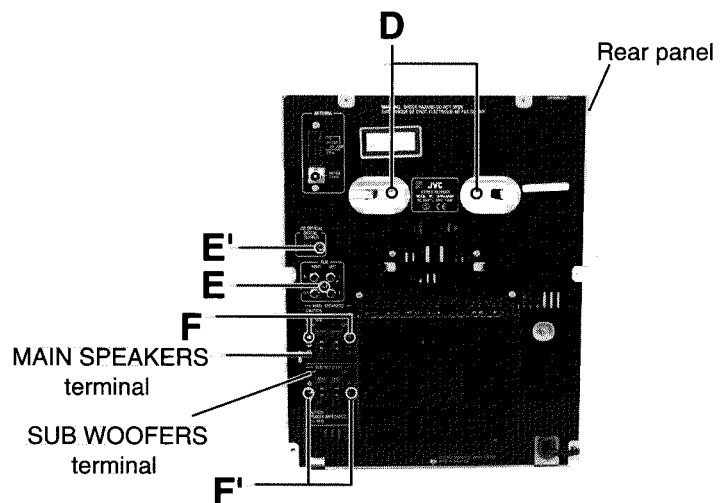


Fig.6

■ Removing the front panel assembly (See Fig.7 to 9)

- Prior to performing the following procedure, remove the metal cover and the CD changer mechanism assembly.
1. Remove the four screws **G** attaching the front panel assembly on the bottom of the body.
 2. Disconnect the card wire from connector CN865 on the main board.
 3. Disconnect the card wire from connector CN315 on the input / output board respectively.
 4. Disconnect the harness from connector CN901 on the relay board on the back of the front panel assembly.
 5. Disconnect the harness from connector CN912 on the input / output board.
 6. Disconnect connector CN870 and CN871 on the input/output board from the main board.
 7. Release the two joints a and b on the lower part of the sides using a screwdriver, and remove the front panel assembly toward the front.

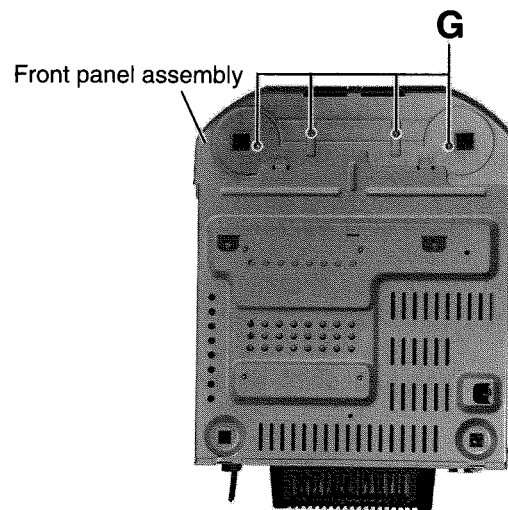


Fig.7

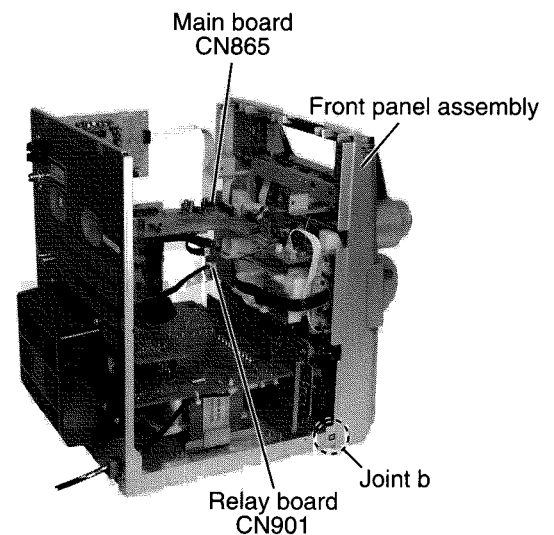


Fig.8

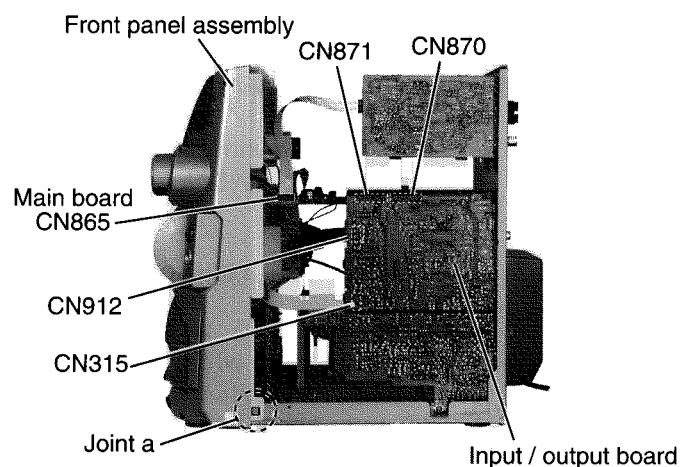


Fig.9

<Front panel assembly>

■ **Removing the Microphone terminal board assembly (See Fig.10 and 11)**

(Only microphone terminal board is installed model.)

1. Pull out the MIC volume knob from the front side.
2. Remove the two screws **H** attaching the microphone terminal board assembly.
3. Remove the screw **I** attaching earth wire.

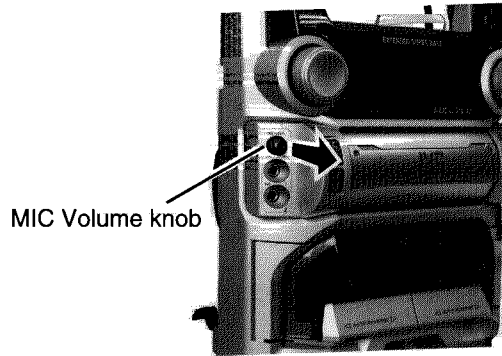


Fig.10

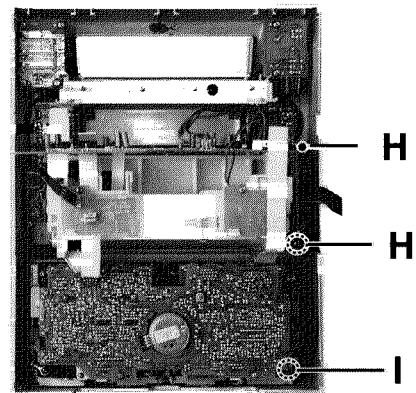


Fig.11

■ **Removing the rolling panel assembly (See Fig.12 and 13)**

1. Disconnect the harness from connector CN900 on the relay board on the back of the rolling panel assembly.
2. Disconnect the harness from connector CN862, CN863, CN850, CN851 and CN815 on the main board respectively. Disconnect the card wire from connector CN880 on the main board.
3. Disconnect the card wire from connector CN869 and the harness from CN883 and CN884 on the main board respectively.

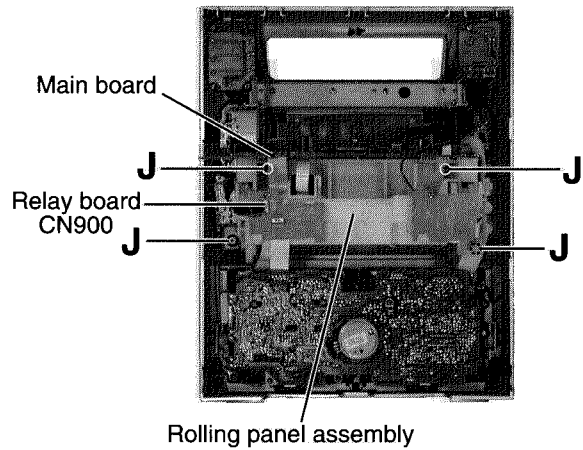


Fig.12

4. Remove the four screws **J** attaching the rolling panel assembly.

ATTENTION: For the harness which should be connected to connector CN869, CN883 and CN884 on the main board, get them through the slots under the rolling panel when reattaching the rolling panel assembly to the front panel (Refer to Fig.13)

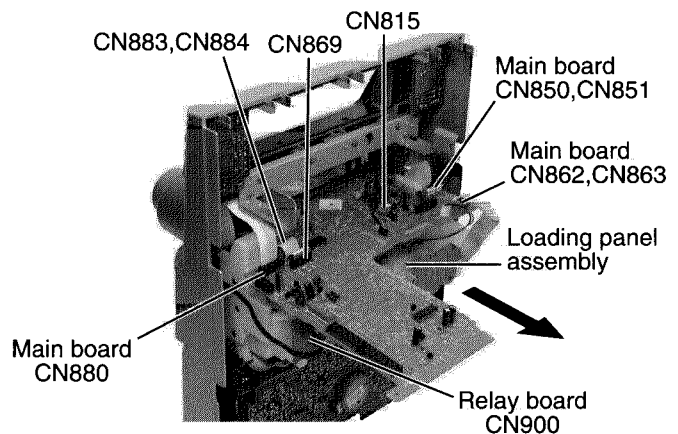


Fig.13

■ Removing the main board
(See Fig.14 and 15)

• Prior to performing the following procedure, remove the front panel assembly, the microphone terminal board and the rolling panel assembly.

1. Disconnect the harness from connector CN867 on the main board.
2. Disconnect the card wire from connector CN879 on the main board (Before pulling out the card wire, stand the part c of CN879 as shown in Fig.15).
3. Remove the two screws **K** attaching the main board.

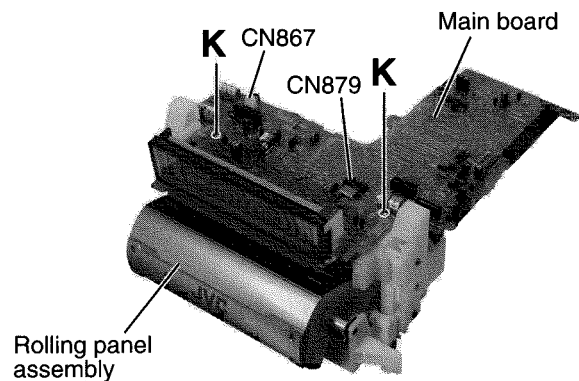


Fig.14

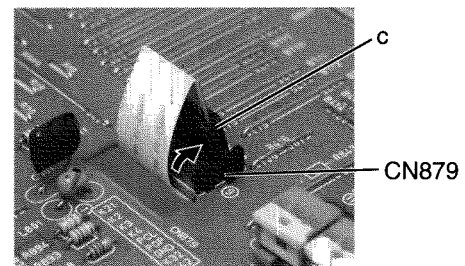
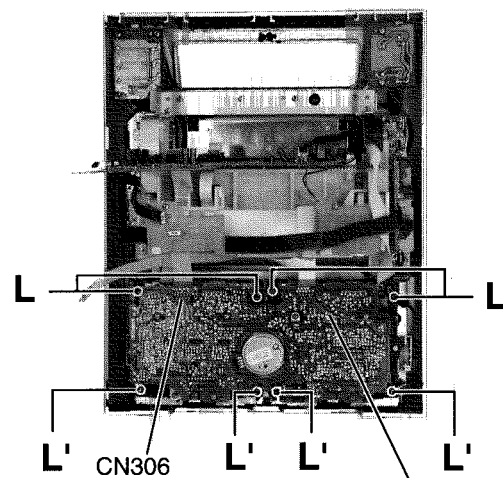


Fig.15

■ Removing the cassette mechanism assembly
(See Fig.16)

• Prior to performing the following procedure, remove the front panel assembly.

1. Disconnect the card wire from connector CN306 on the cassette mechanism board.
2. Remove the eight screws **L** and **L'** attaching the cassette mechanism assembly.



Cassette mechanism assembly
 Fig.16

■ **Removing the boards in the front panel assembly (See Fig.17 to 19)**

- Prior to performing the following procedure, remove the front panel assembly and the rolling panel assembly.

— **Function board1 (See Fig.17)**—

1. Remove the two screws **M** attaching the function board 1.

— **Function board2 (See Fig.17)**—

1. Remove the two screws **N** attaching the function board 2.

— **Bass-level regulator board (See Fig.18)**—

1. Pull out the level knob on the front side of the front panel assembly and remove the nut attaching the bass-level regulator board.
2. Release the two joints d. Unsolder FW951 on the bass-level regulator board and disconnect the harness connected to the power switch.

— **Main volume & headphone board (See Fig.18)**—

1. Pull out the volume knob on the front side of the front panel assembly and remove the nut attaching the main volume & headphone board.
2. Remove the two screws **O** attaching the main volume & headphone board on the back of the front panel assembly and release the two joints e.
3. Unsolder FW850 on the main volume & headphone board and disconnect the harness connected to the eject switch board.
4. Remove the screw **L'** attaching the earth terminal extending from the main volume & headphone board.

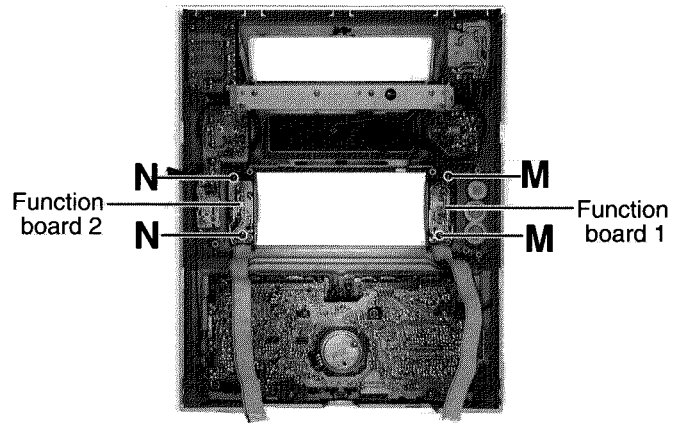


Fig.17

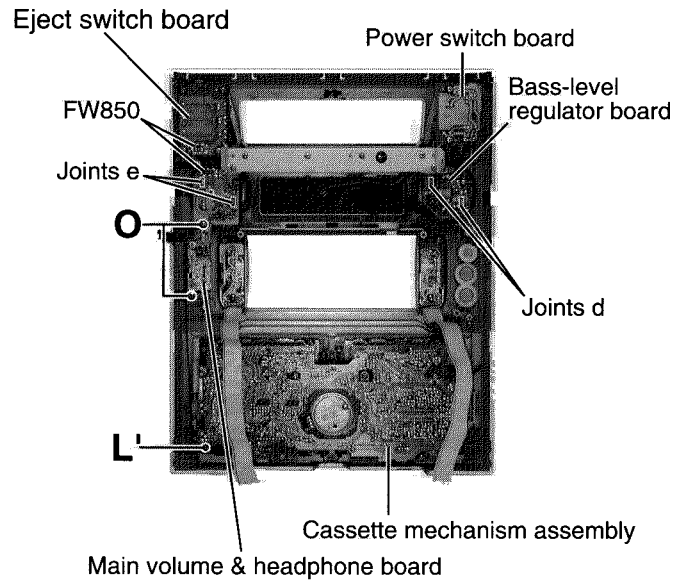


Fig.18

— Power switch board (See Fig.19) —

1. Remove the two screws **P** attaching the power switch board. Unsolder FW951 on the power switch board and disconnect the harness extending to the bass-level regulator board.

— Eject switch board (See Fig.19) —

1. Remove the four screws **Q** attaching the eject switch board. Unsolder FW850 on the eject switch board and disconnect the harness extending to the main volume & headphone board.

— Remote control port board (See Fig.19) —

1. Remove the screw **R** attaching the remote control port board.

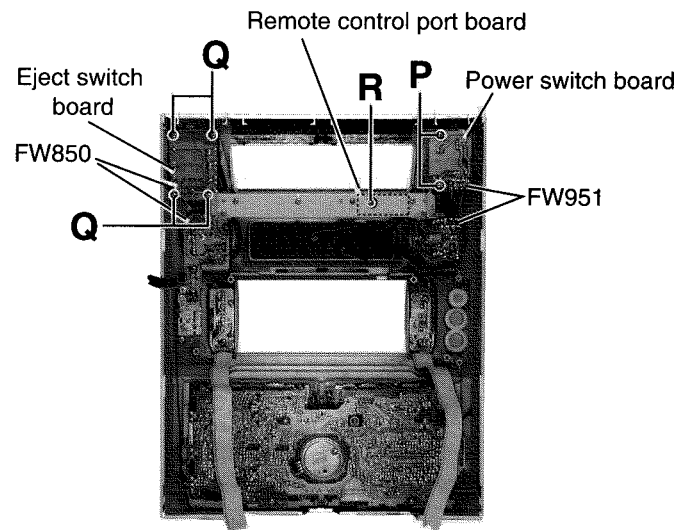


Fig.19

■ Removing the relay board and fixing board (See Fig.20)

- Prior to performing the following procedure, remove the metal cover.

※ There is no need to remove the front panel assembly.

1. Disconnect the harness from connector CN900 and CN901 on the relay board on the back of the rolling panel assembly.
2. Remove the screw **S** attaching the relay board. Release the tab **f** and remove the relay board from the groove **g**.
3. Remove the screw **S'** attaching the fixing board and remove the fixing board from the groove **h**.

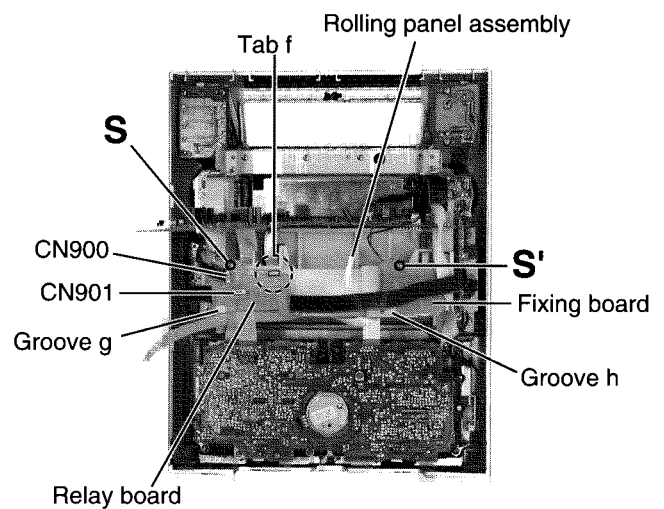


Fig.20

<Rear panel assembly>

■ Removing the tuner board
(See Fig.21 and 22)

- Prior to performing the following procedure, remove the metal cover.
1. Remove the two plastic rivets attaching the joint board, and remove the joint board.
 2. Disconnect the card wire from connector CN1 on the tuner board.
 3. Remove the two screws **T** attaching the tuner board on the back of the body.

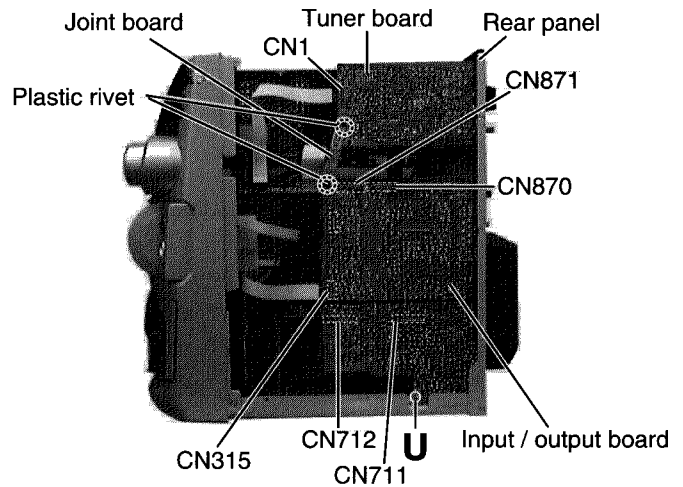


Fig.21

■ Removing the input / output board
(See Fig.21 and 22)

- Prior to performing the following procedure, remove the metal cover.
1. Remove the two plastic rivets attaching the joint board, and remove the joint board.
 2. Disconnect the card wire from connector CN315 on the input / output board.
 3. Remove the screw **U** attaching the input / output board on the lower right side of the body.
 4. Remove the five screws, **E**, **F** & **F'** attaching the Aux, MAIN speaker, SUB speaker terminal board on the back of the body.
 5. Remove the screw **E'** attaching the digital output terminal on the back of the body.
 6. Disconnect connector CN870, CN871, CN711 and CN712 on the input / output board by pulling out them outward. Remove the input / output board from the body.

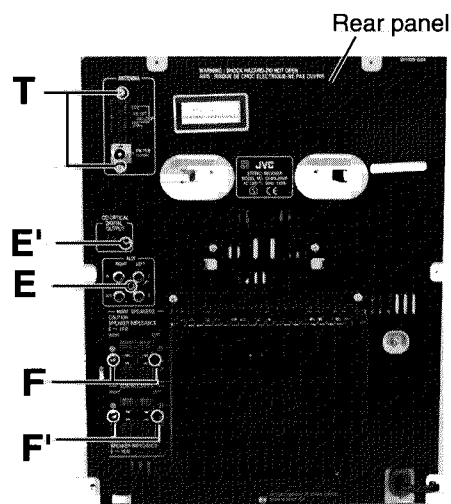


Fig.22

■ **Removing the fan motor assembly**
 (See Fig.23 and 24)

• Prior to performing the following procedure, remove the metal cover and CD changer mechanism assembly.

1. Remove the two screws **V** attaching the fan motor assembly on the back of the body.
2. Cut the band **i** banding the harness.
3. Disconnect the harness from connector **CN703** on the power amplifier & regulator board.

ATTENTION: When removing the **CN703**, remove the **INPUT/OUTPUT** board first.

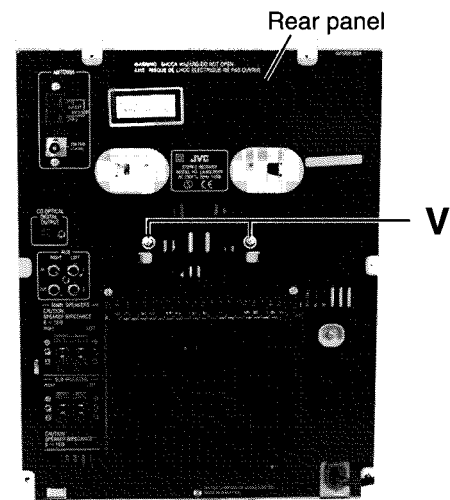
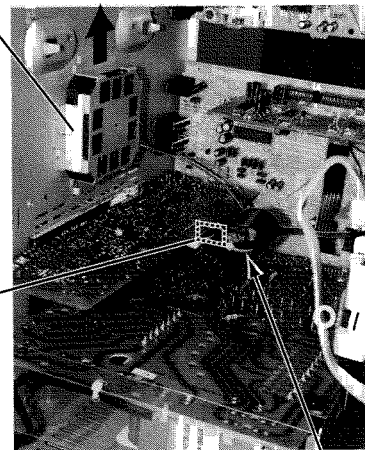


Fig.23

Fan motor assembly

CN703



Band i

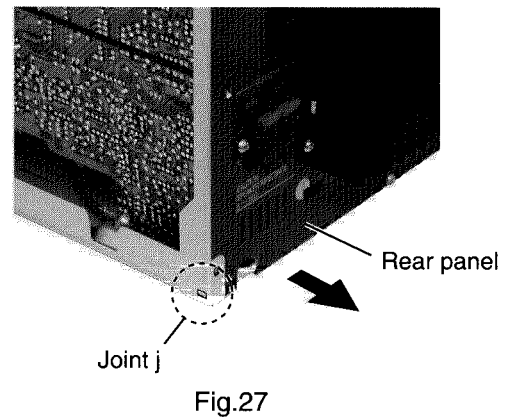
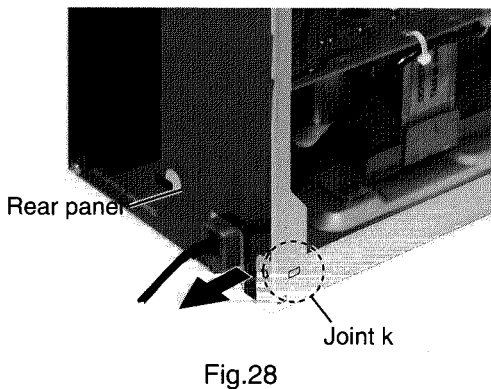
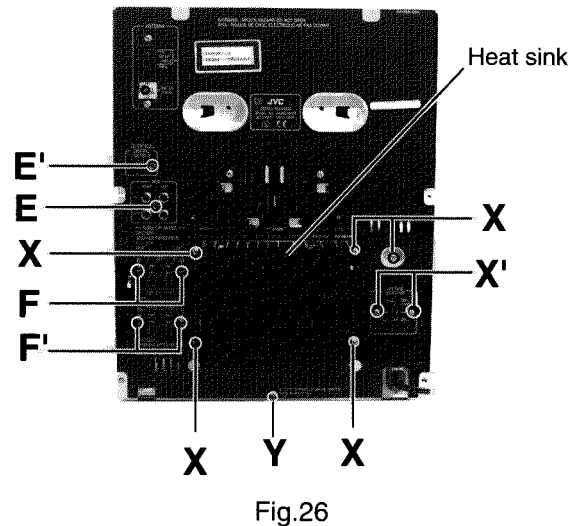
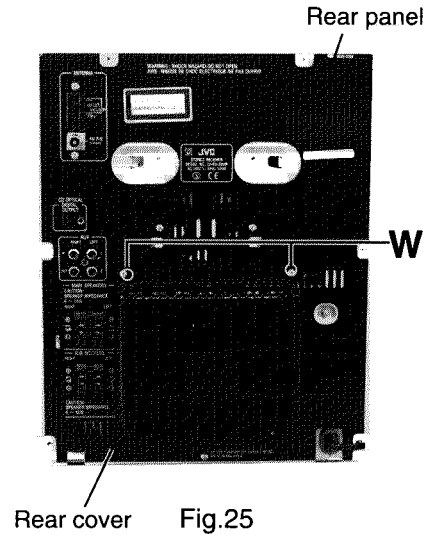
Fig.24

■ **Removing the rear cover / rear panel**
(See Fig.25 to 28)

• Prior to performing the following procedure, remove the metal cover and the CD changer mechanism assembly.

※ There is no need to remove the front panel assembly.

1. Remove the two screws **W** attaching the rear cover on the back of the body.
2. Remove the five screws **E & F, F'** attaching Aux, MAIN speaker and sub speaker board to the rear panel on the back of the body.
3. Remove the screw **E'** attaching the digital output terminal on the back of the body.
4. Remove the five screws **X** attaching the heat sink, voltage selector and the preamplifier board to the rear panel on the back of the body.
5. Remove the two screws **X'** attaching the voltage selector to the rear panel on the back of the body. (Only ver. U)
6. Remove the screw **Y** attaching the rear panel to the base chassis on the back of the body.
7. Release the two joints **j** and **k** on the rear panel bottom using a screwdriver, and detach the rear panel backward.
8. Remove the tuner board in case of necessity (Refer to Fig.21).



■ **Removing the preamplifier board / heat sink (See Fig.29 to 31)**

- Prior to performing the following procedure, remove the metal cover, the CD changer mechanism assembly and the rear cover / rear panel.

※ There is no need to remove the front panel assembly.

1. Remove the input / output board (Refer to Fig.21 and 22).
2. Disconnect the harness from connector CN901 on the relay board on the back of the rolling panel assembly.
3. Disconnect the harness from connector CN713 on the preamplifier board.
4. Remove the two screws **Z** attaching the heat sink to the power & main amplifier board on the back of the body.
5. Remove the two screws **A** & **A'** attaching the amplifier board and IC to the heat sink and detach them with the heat sink bracket.

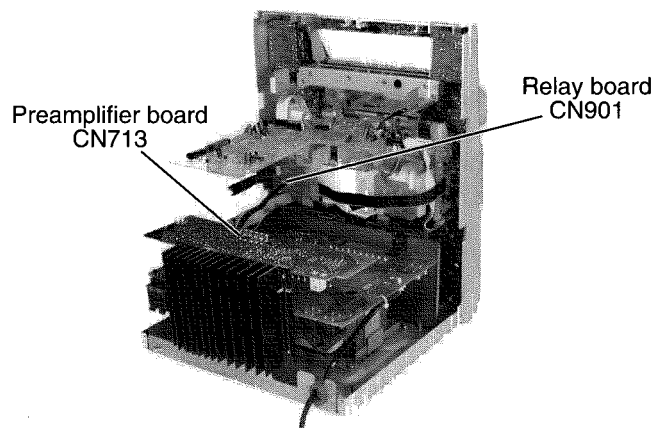


Fig.29

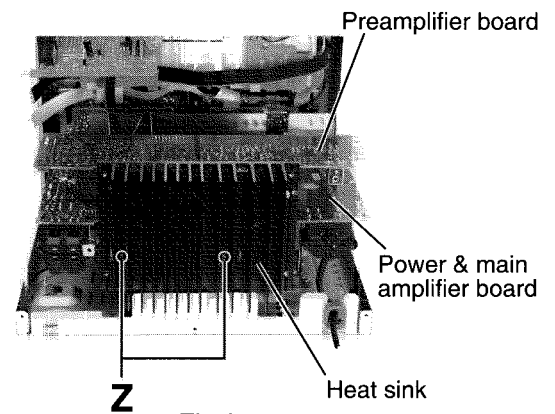


Fig.30

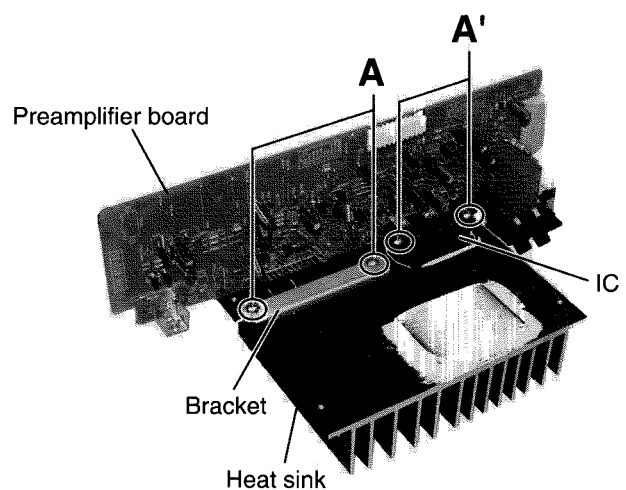
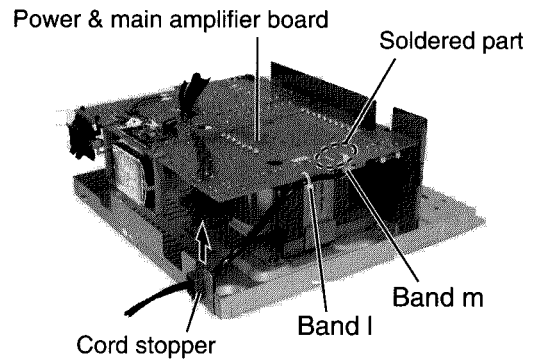
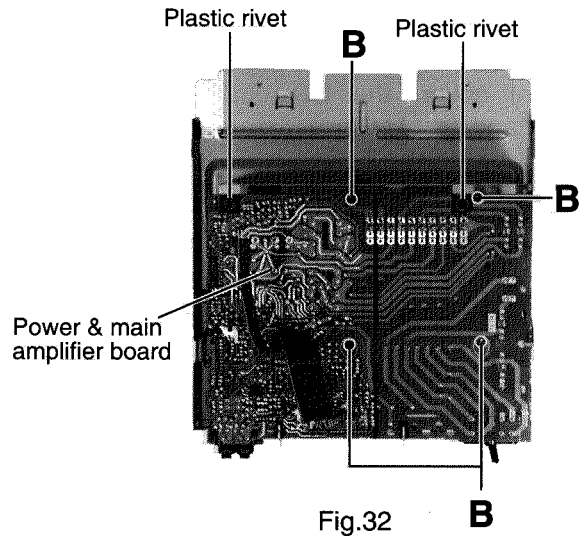


Fig.31

■ **Removing the power & main amplifier board (See Fig.32 and 33)**

- Prior to performing the following procedure, remove the metal cover, the CD changer mechanism assembly, the rear cover / rear panel, the input & output board / preamplifier board.
1. Remove the four screws **B** attaching the transf. on the power & main amplifier board through the upper side slots.
 2. Remove the two plastic rivets fixing the power & main amplifier board.
 3. Remove the cord stopper by pushing it upward.
 4. Cut off the bands **l** and **m** fixing the power cord and unsolder the soldered part on the power & main amplifier board.



<Rolling panel assembly>

■ Removing the multicontrol assembly
(See Fig.34 to 36)

- Prior to performing the following procedure, remove the rolling panel assembly.
1. Remove the two screws **C** attaching the multicontrol assembly on both sides.
 2. Remove the multicontrol assembly outward while pushing the right and left hooks fixing multicontrol assembly outward.

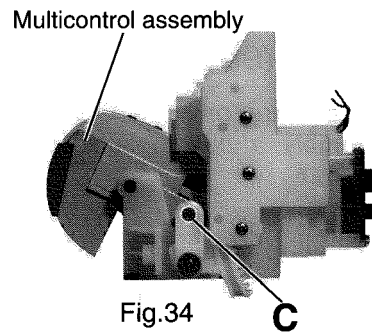


Fig.34

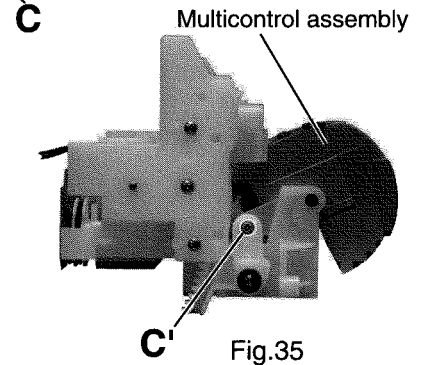


Fig.35

■ Removing the multicontrol board
(See Fig.37 to 39)

- Prior to performing the following procedure, remove the rolling panel assembly and the multicontrol assembly.
1. Remove the six screws **D** attaching the cover and the bracket.
 2. Pull out the right and left panel holders outward by releasing the tabs **n** outward.
 3. Remove the cover and the bracket.
 4. Remove the fore screws **E** attaching the multicontrol board.

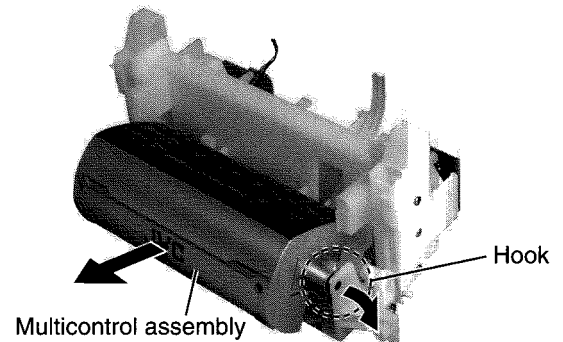


Fig.36

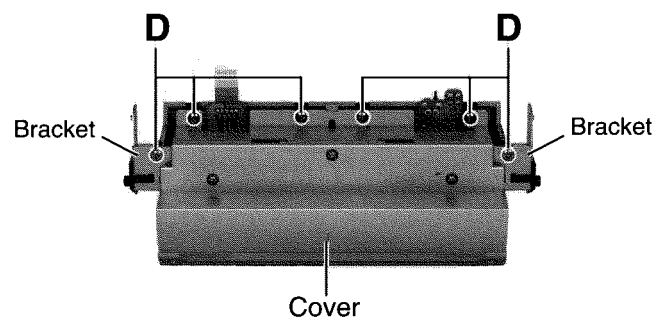


Fig.37

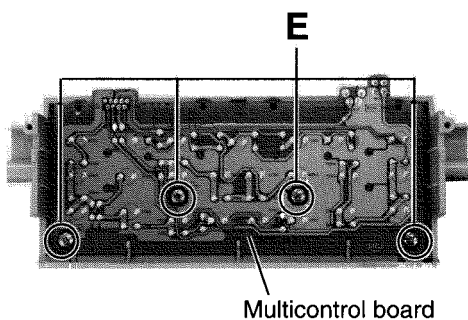


Fig.39

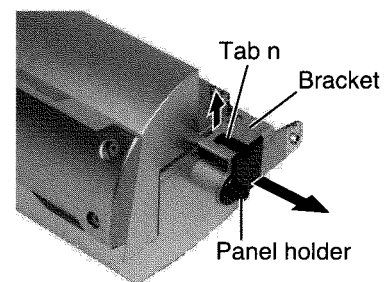


Fig.38

**■ Removing the drive motor assembly
(See Fig.40 to 42)**

• Prior to performing the following procedure, remove the rolling panel assembly and the multicontrol assembly.

1. Remove the relay board / fixing board (Refer to Fig.20).
2. Remove the two screws **F** attaching the motor bracket and remove the motor lead staple **o**.
3. Remove the two screws **G** attaching the shaft bracket.
4. Remove the motor belt.
5. Remove the shaft assembly upward while pulling the keep plates **p** on both sides of the shaft assembly outward.
6. Remove the drive motor upward.

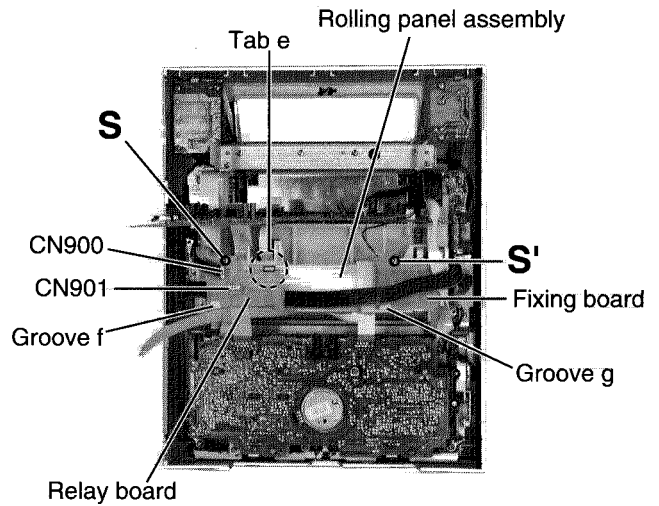


Fig.20

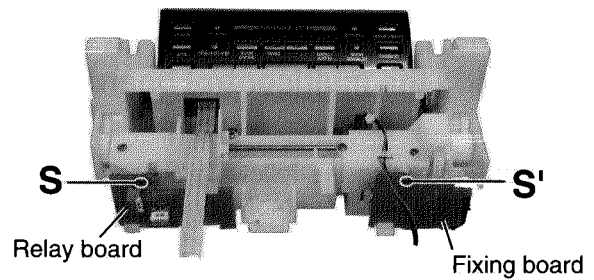


Fig.40

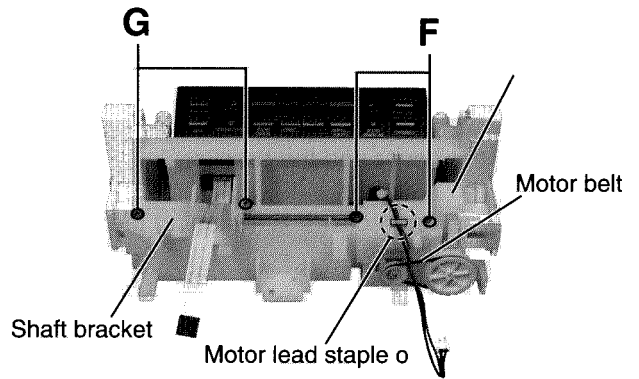


Fig.41

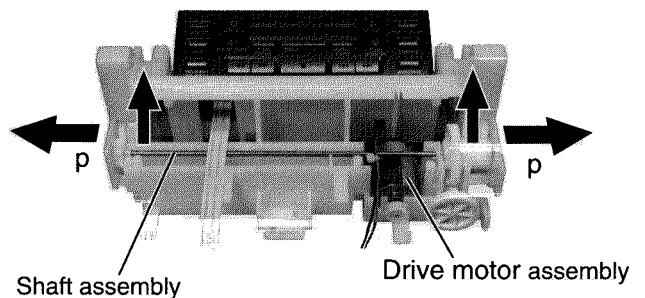
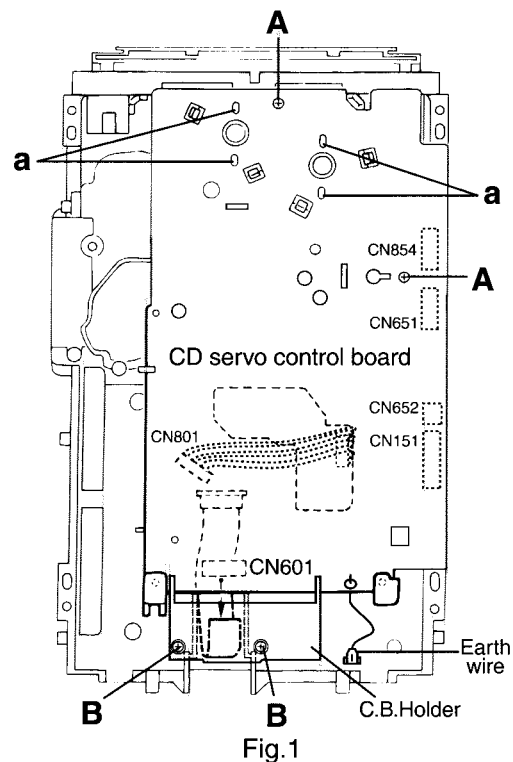


Fig.42

«CD Changer Mechanism Type:VC3 Section»

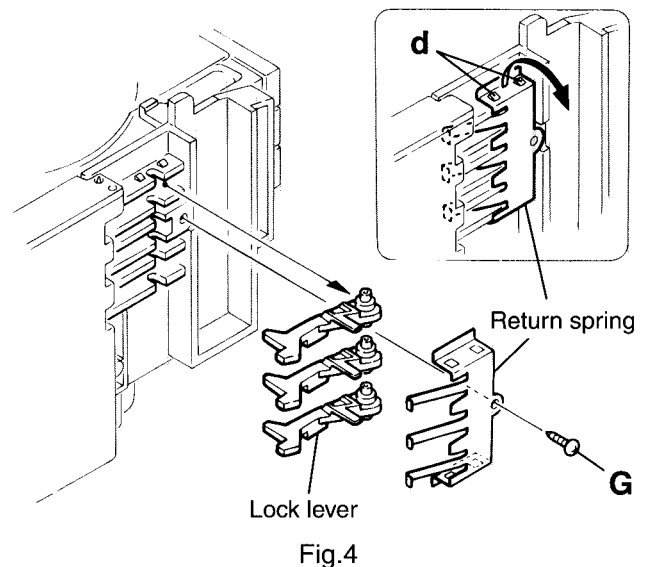
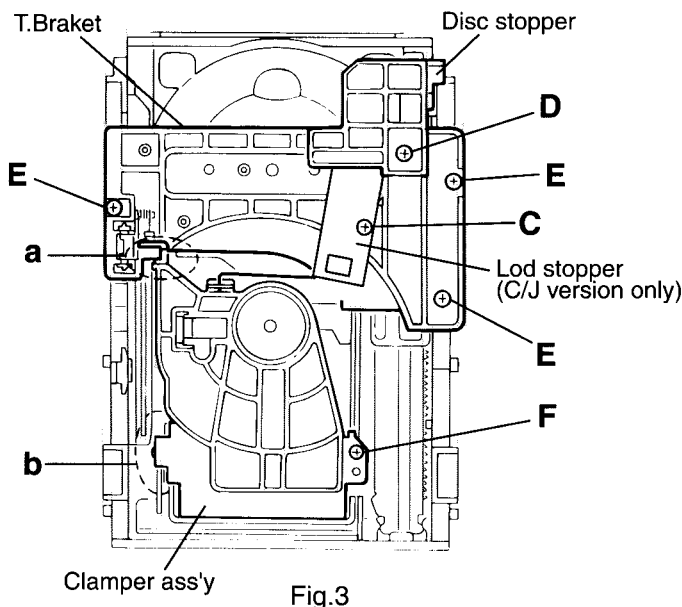
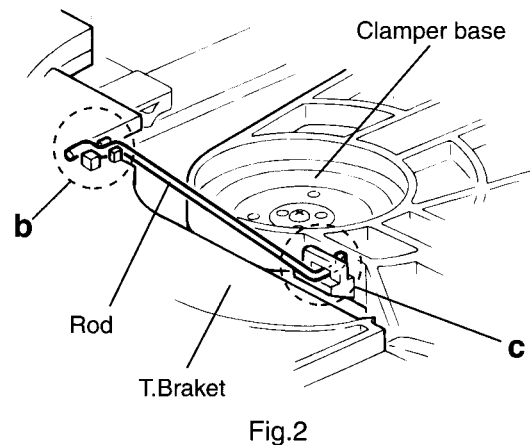
■ Removing the CD Servo control board
(See Fig.1)

- 1.Remove the metal cover.
- 2.Remove the CD changer mechanism assembly.
- 3.From bottom side the CD changer mechanism assembly, remove the two screws **A** retaining the CD servo control board.
- 4.Absorb the four soldered positions "a" of the right and left motors with a soldering absorber.
- 5.Pull out the earth wire on the CD changer mechanism assembly.
- 6.The two screws **B** is removed and C.B.holder is detached.
- 7.Disconnect the connector CN854 on the CD servo control board.
- 8.Disconnect the card wire CN601 and the connector CN801 on the CD servo control board.



■ Removing the CD tray assembly
(See Fig.2~4)

1. Remove the front panel assembly. (See Fig.2~4)
2. Remove the CD changer mechanism assembly.
3. Remove the CD Servo control board.
4. Remove the screw **C'** retaining the lod stopper.
5. From the T.bracket section "b" and clamber base section "c", remove both of the edges fixing the rod(See Fig.2 and 3).
6. Remove the screw **D** retaining the disc stopper (See Fig.3).
7. Remove the three screws **E** retaining the T.bracket (See Fig.3).
8. Remove the screw **F** retaining the clamber assembly (See Fig.3).
9. From the left side face of the chassis assembly, remove the one screw **G** retaining both of the return spring and lock lever(See Fig. 4).
- 10.By removing the pawl at the section "d" fixing the return spring, dismount the return spring(See Fig.4).
11. Remove the three lock levers(See Fig.4).



11. Check whether the lifter unit stopper has been caught into the hole at the section "e" of CD tray assembly as shown in Fig.5.
 12. Make sure that the driver unit elevator is positioned as shown in Fig.6 from to the second or fifth hole on the left side face of the CD changer mechanism assembly.
- [Caution]** In case the driver unit elevator is not at above position, set the elevator to the position as shown in Fig.7 by manually turning the pulley gear as shown in Fig.8.
13. Manually turn the motor pulley in the clockwise direction until the lifter unit stopper is lowered from the section "e" of CD tray assembly(See Fig.8).
 14. Pull out all of the three stages of CD tray assembly in the arrow direction "f" until these stages stop
(See Fig.6).
 15. At the position where the CD tray assembly has stopped, pull out the CD tray assembly while pressing the two pawls "g and g' " on the back side of CD tray assembly(See Fig.9). In this case, it is easy to pull out the assembly when it is pulled out first from the stage CD tray assembly.

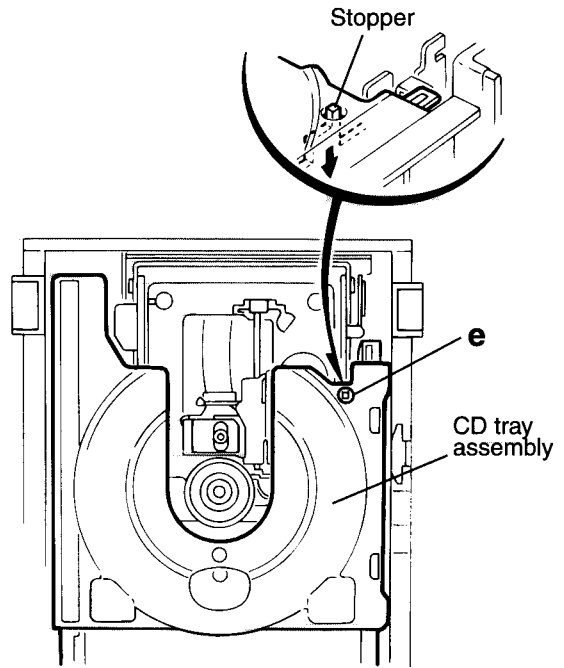


Fig.5

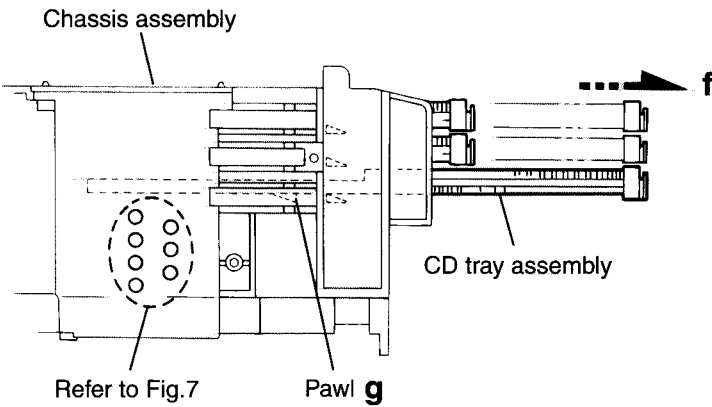


Fig.6

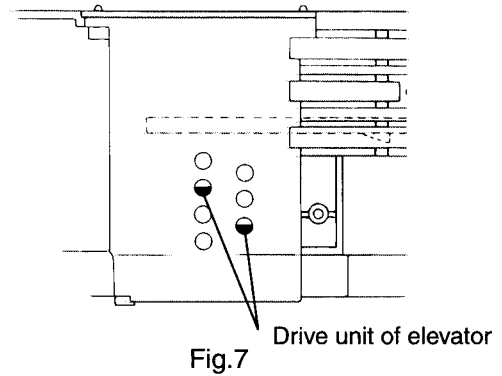


Fig.7

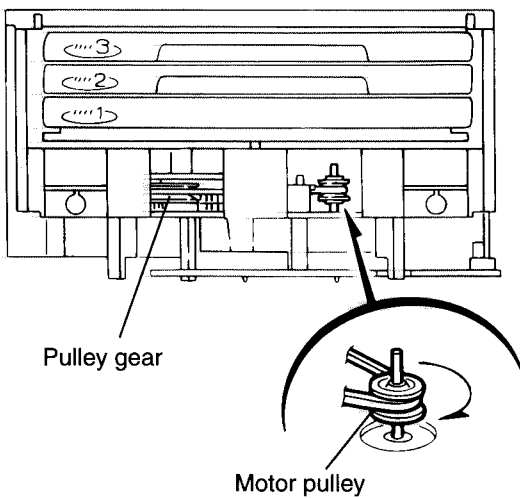
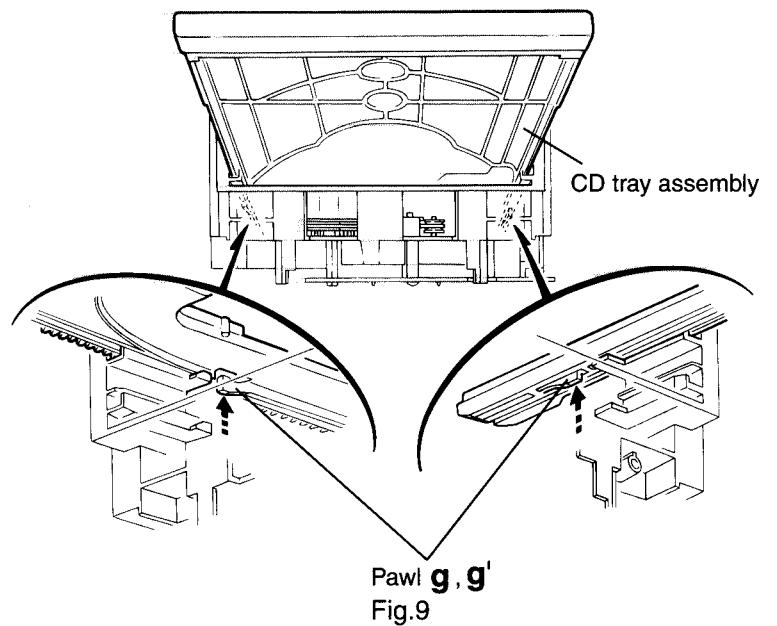


Fig.8



Pawl g, g'
Fig.9

■ Removing the CD loading mechanism assembly(See Fig.10)

1. While turning the cams R1 and R2 assembly in the arrow direction "h" ,align the shaft "i" of the CD loading mechanism assembly to the position shown in Fig.10.
2. Remove the four screws **H** retaining the CD loading mechanism assembly.

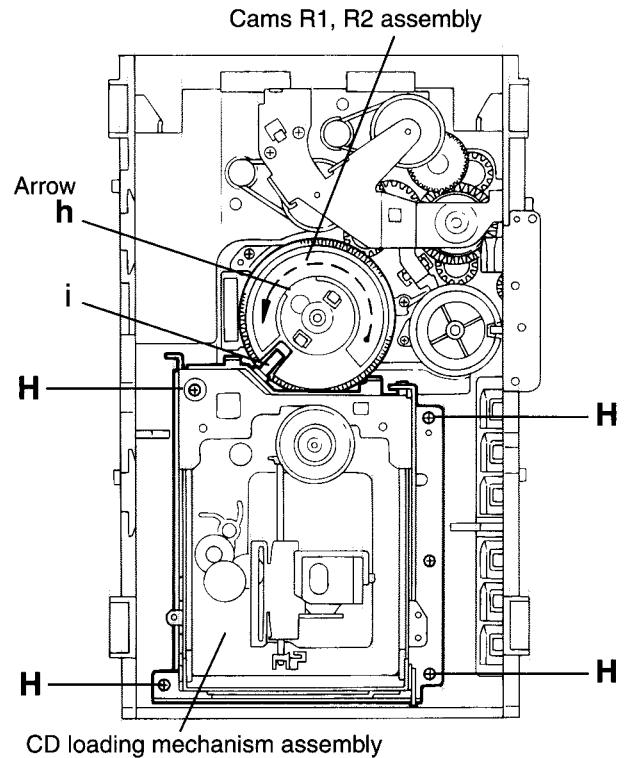


Fig.10

■ Removing the CD traverse mechanism (See Fig.11 and 12)

1. For dismounting only the CD traverse mechanism without removing the CD loading mechanism assembly, align the shaft "j" of the CD loading mechanism assembly to the position shown Fig.11 while turning the cam R1 and R2 assembly in the arrow direction "k" .
2. By raising the CD loading mechanism assembly in the arrow direction "l", remove the assembly from the lifter unit

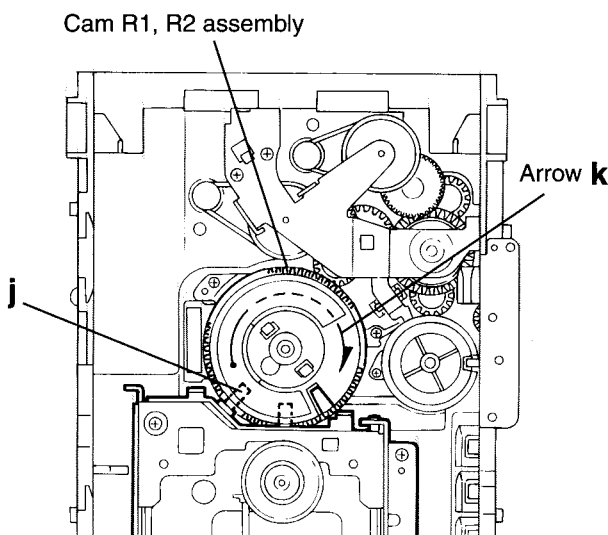


Fig.11

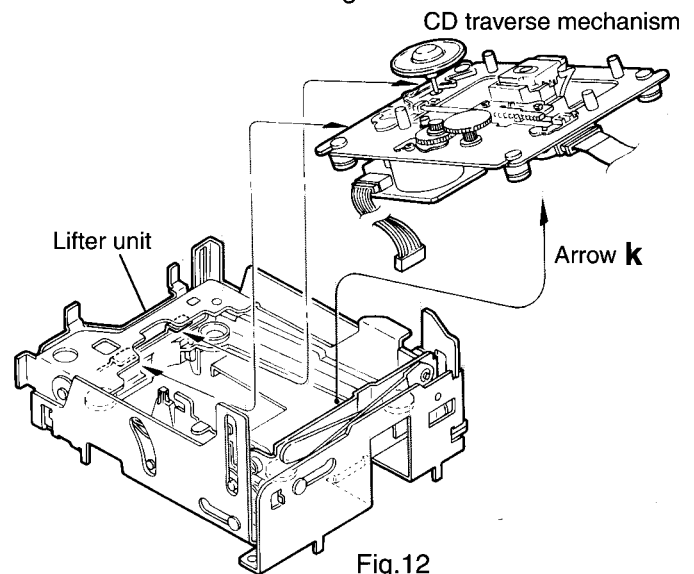


Fig.12

■ Removing the CD pick unit (See Fig.13)

1. Move the cam gear in the arrow direction "m" . Then, the CD pickup unit will be moved in the arrow direction "n" .
2. According to the above step, shift the CD pickup unit to the center position.
3. While pressing the stopper retaining the shaft in the arrow direction "o" , pull out the shaft in the arrow direction "p".
4. After dismounting the shaft from the CD pickup unit, remove the CD pickup unit

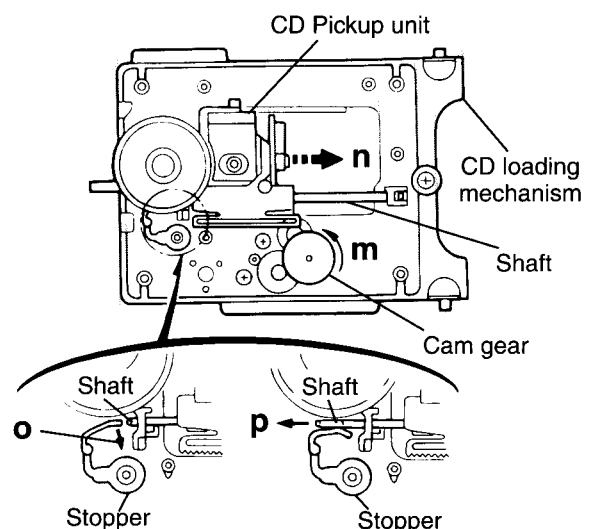


Fig.13

■ Removing the cam unit
(See Fig.14 ~17)

1. Remove the CD loading mechanism assembly.
2. While turning the cam gear "q", align the pawl "r" position of the drive unit to the notch position(Fig.16) on the cam gear "q".
3. Pull out the drive unit and cylinder gear(See Fig.17).
4. While turning the cam gear "q", align the pawl "s" position of the select lever to the notch position(Fig.18) on the cam gear "q".
5. Remove the four screws **J** retaining the cam unit(cam gear "q" and cams R1/R2 assembly)(See Fig.18).

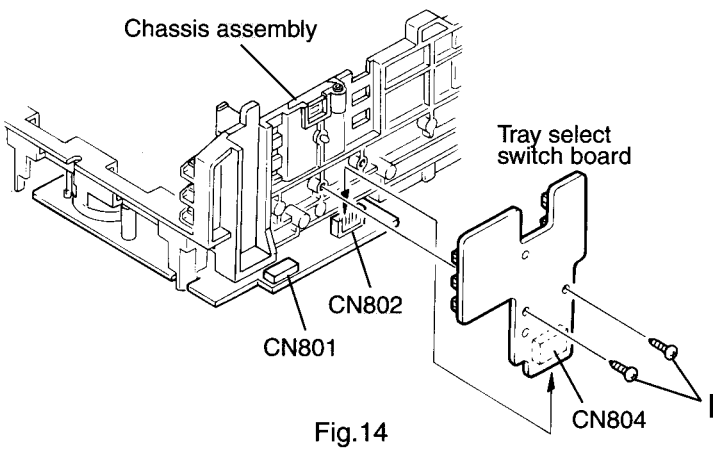


Fig.14

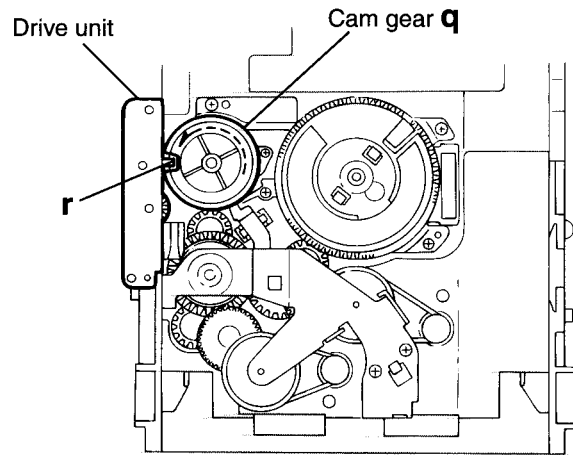


Fig.15

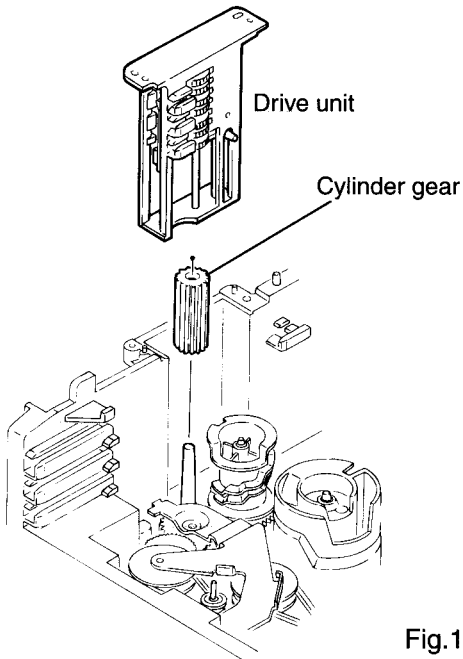


Fig.16

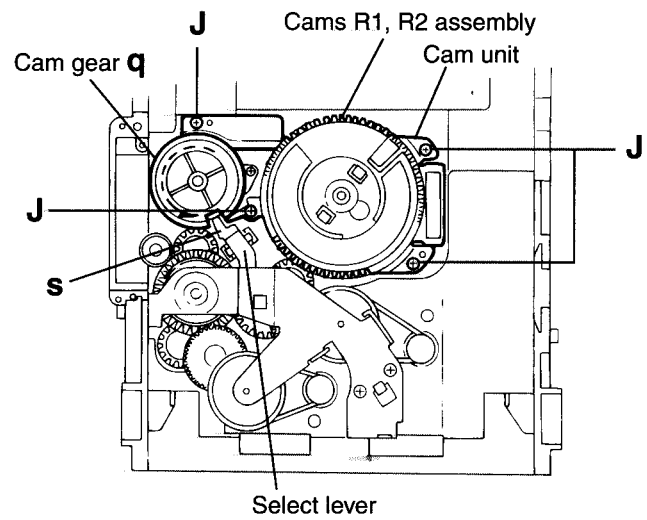


Fig.17

**■ Removing the actuator motor and belt
(See Fig.18~21)**

1. Remove the two screws **K** retaining the gear bracket
(See Fig.19).
2. While pressing the pawl "t" fixing the gear bracket in the arrow direction, remove the gear bracket
(See Fig.19).
3. From the notch "u section" on the chassis assembly fixing the edge of gear bracket, remove and take out the gear bracket(See Fig. 20).
4. Remove the belts respectively from the right and left actuator motor pulleys and pulley gears(See Fig. 19).
5. After turning over the chassis assembly, remove the actuator motor while spreading the four pawls "v" fixing the right and left actuator motors in the arrow direction(See Fig. 21).

[Note] When the chassis assembly is turned over under the conditions wherein the gear bracket and belt have been removed, then the pulley gear as well as the gear, etc. constituting the gear unit can possibly be separated to pieces. In such a case, assemble these parts by referring to the assembly and configuration diagram in Fig. 22.

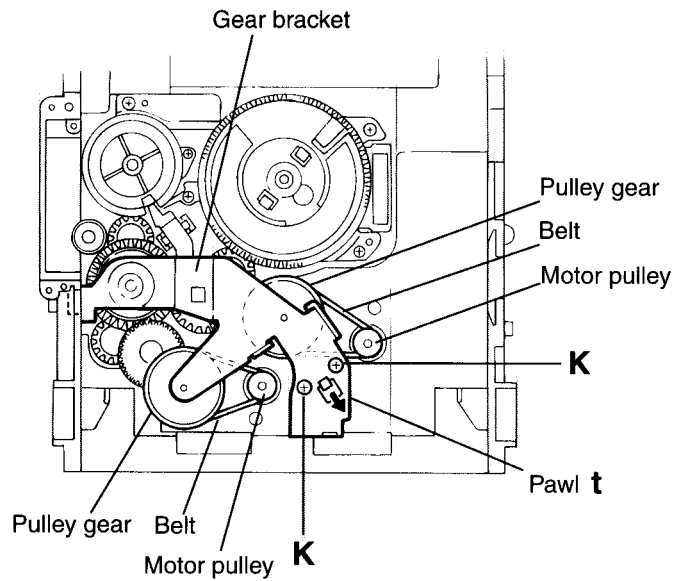


Fig.18

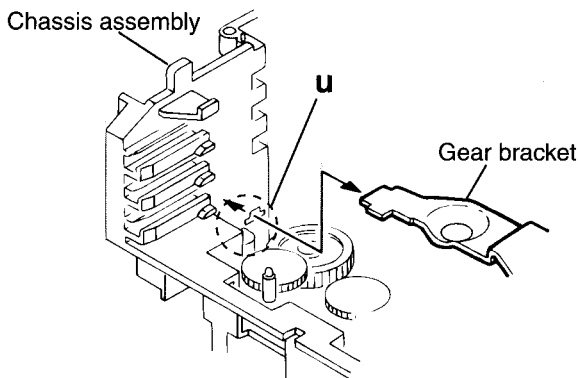


Fig.19

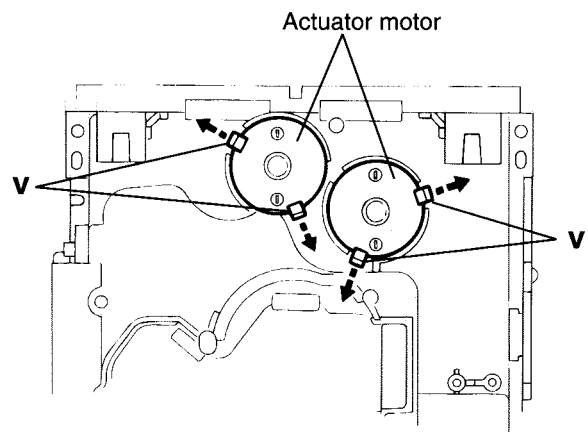


Fig.20

Assembly and Configuration Diagram

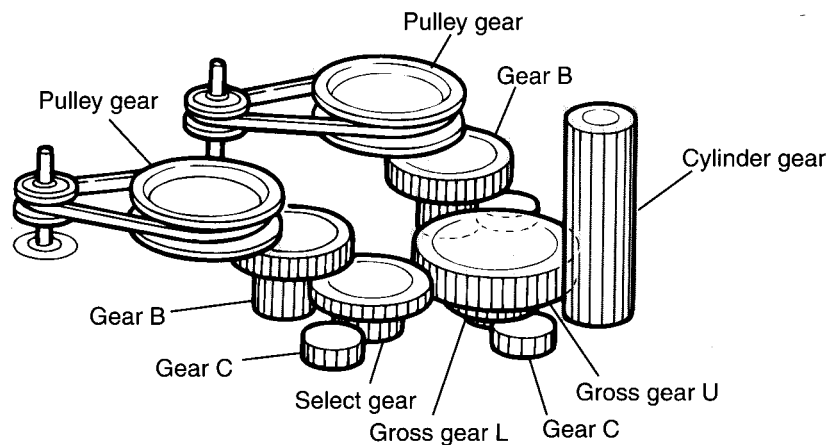


Fig.21

■ Removing the cams R1/R2 assembly and cam gear q(See Fig.22)

1. Remove the slit washer fixing the cams R1 and R2 assembly.
2. By removing the two pawls "w" fixing the cam R1, separate R2 from R1.
3. Remove the slit washer fixing the cam gear "q".
4. Pull out the cam gear "q" from the C.G. base assembly.

■ Removing the C.G. base assembly (See Fig.22 and 23)

Remove the three screws L retaining the C.G. base assembly.

[Caution] To reassemble the cylinder gear, etc.with the cam unit (cam gear and cans R1/R2 assembly), gear unit and drive unit, align the position of the pawl "x" on the drive unit to that of the notch on the cam gear "q". Then, make sure that the gear unit is engaged by turning the cam gear "q" (See Fig. 24).

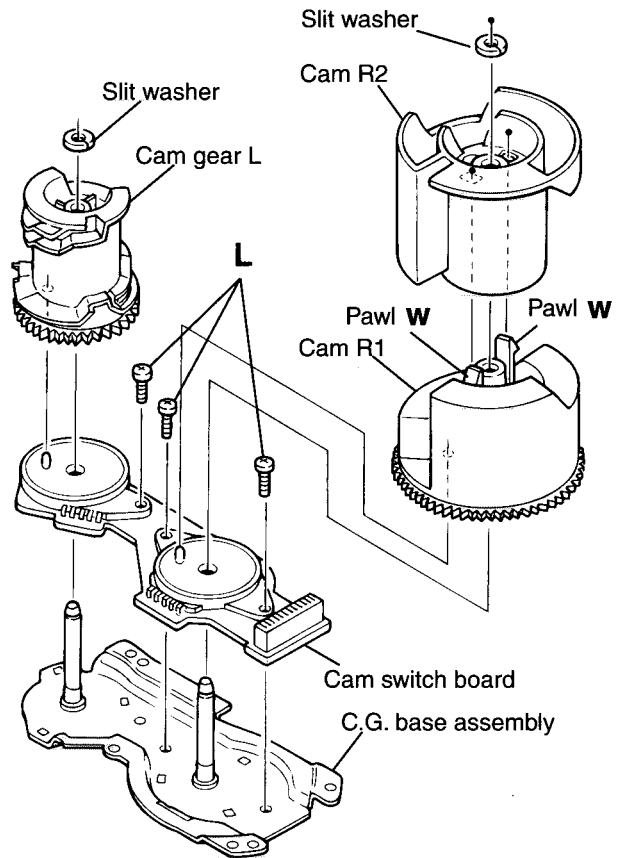


Fig.22

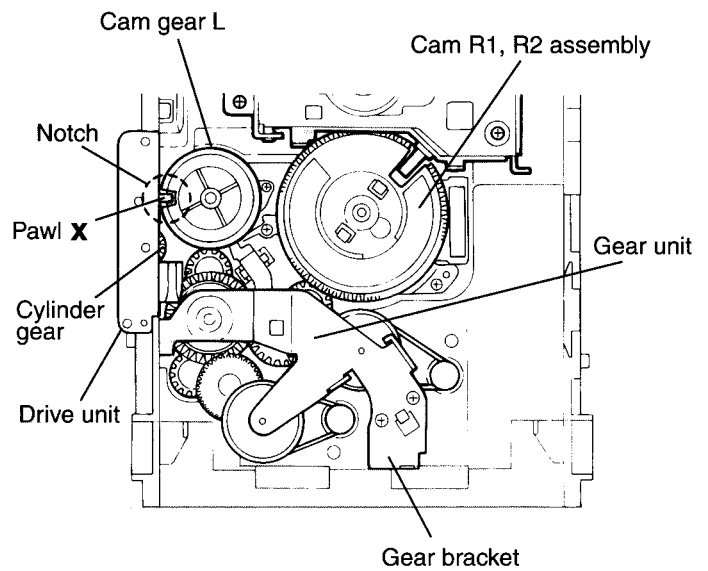


Fig.23

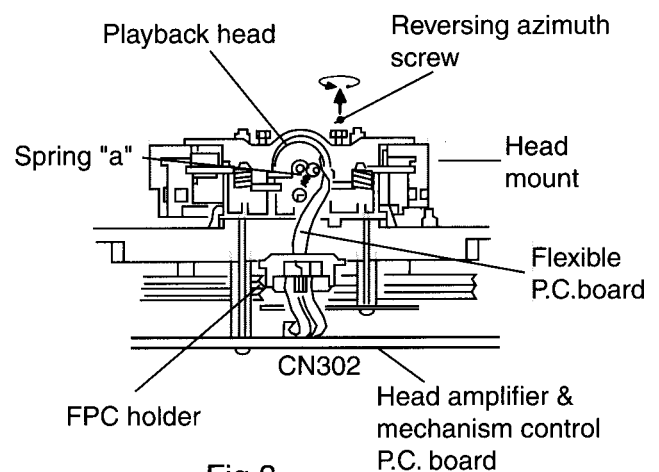
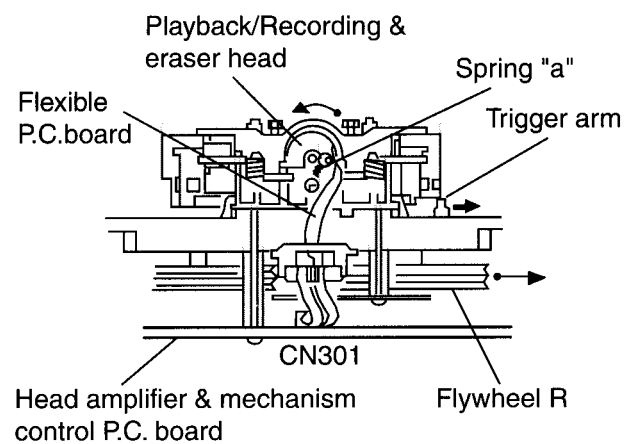
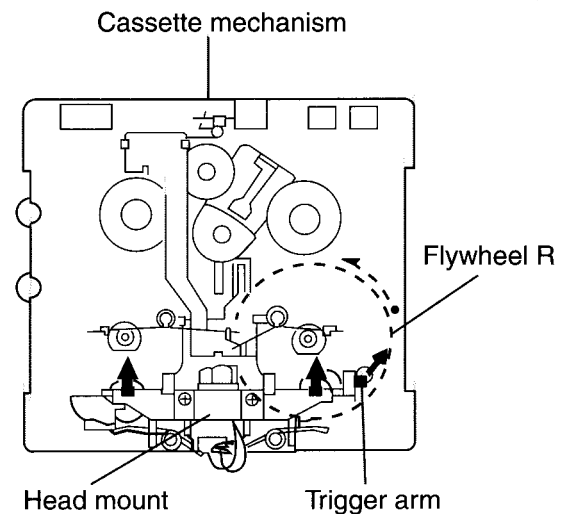
< Cassette mechanism section >

■ Removing the playback, recording and eraser heads (See Fig.1~3)

1. While shifting the trigger arms seen on the right side of the head mount in the arrow direction, turn the flywheel R in counterclockwise direction until the head mount has gone out with a click (See Fig. 1).
2. When the flywheel R is rotated in counterclockwise direction, the playback head will be turned in counterclockwise direction from the position in Fig.2 to that in Fig.3.
3. At this position, disconnect the flexible P.C.board (outgoing from the playback head) from the connector CN301 on the head amp. and mechanism control P.C. board.
4. After dismounting the FPC holder, remove the flexible P.C.board.
5. Remove the flexible P.C.board from the chassis base.
6. Remove the spring "a" from behind the playback head.
7. Loosen the reversing azimuth screw retaining the playback head.
8. Take out the playback head from the front of the head mount.
9. The recording and eraser heads should also be removed similarly according to Steps 1~8 above.

● Reassembling the playback, recording and eraser heads (See Fig.2,3)

1. Reassemble the playback head from the front of the head mount to the position as shown in Fig.3.
2. Fix the reversing azimuth screw.
3. Set the spring a from behind the playback head.
4. Attach the flexible P.C.board to the chassis base, and fix it with the FPC holder as shown in Fig.3.
5. The recording and eraser heads should also be reassembled similarly according to Steps 1~4 above.



■ Removing the head amp.and mechanism control P.C.board (See Fig. 4)

- 1.Remove the cassette mechanism assembly.
- 2.After turning over the cassette mechanism assembly,remove the five screws "A" retaining the head amp. and mechanism control P.C. board
- 3.Disconnect the connectors CN303 and CN304 on the P.C.Board and the connectors CN1 on both the right and left side reel pulse P.C.Boards.
- 4.When necessary, remove the 4pin parallel wire soldered to the main motor

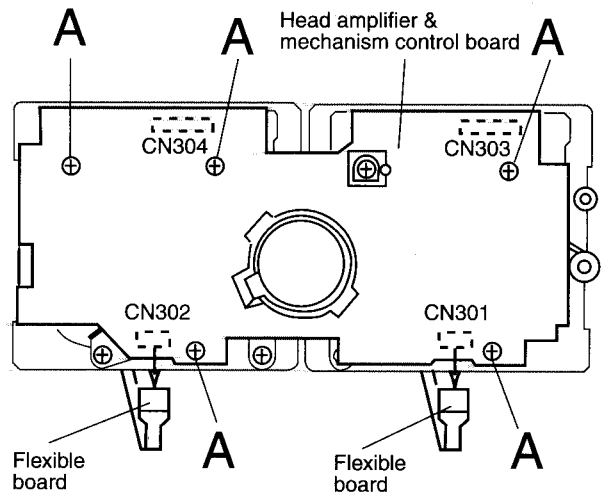


Fig.4

■ Removing the capstan motor assembly

- 1.Remove the six screws "B" retaining capstan motor assembly (See Fig. 5).
- 2.While raising the capstan motor, remove the capstan belts A and B respectively from the motor pulley (See Fig. 6).

Caution 1: Be sure to handle the capstan belts so carefully that these belts will not be stained by grease and other foreign matter. Moreover, these belts should be hand while referring to the capstan belt hanging method.

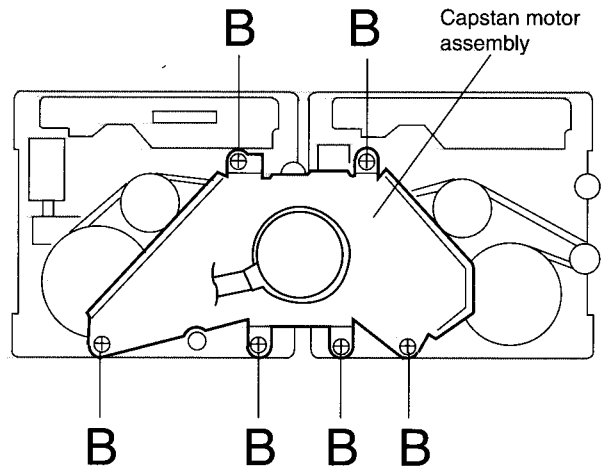


Fig.5

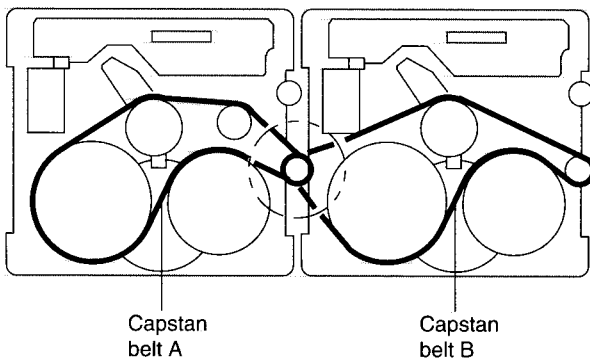


Fig.7

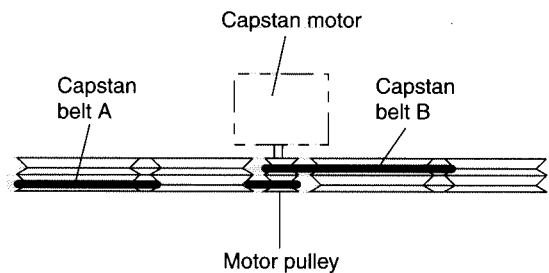


Fig.6

■ **Removing the capstan motor (See Fig. 8)**

From the joint bracket, remove the two screws "C" retaining the capstan motor.

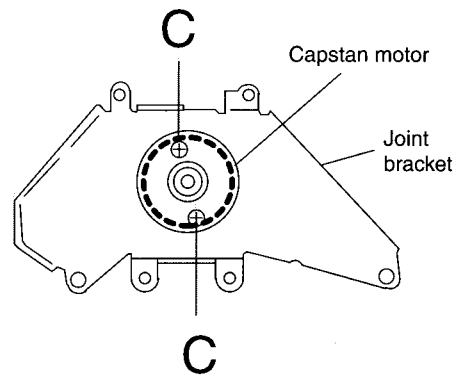


Fig.8

■ **Removing the flywheel (See Fig. 9,10)**

- 1.Remove the head amp. and mechanism control P.C.Board.
- 2.Remove the capstan motor assembly.
- 3.After turning over the cassette mechanism, remove the slit washers "a" and "b" fixing the capstan shafts R and L, and pull out the flywheels R and L respectively from behind the cassette mechanism.

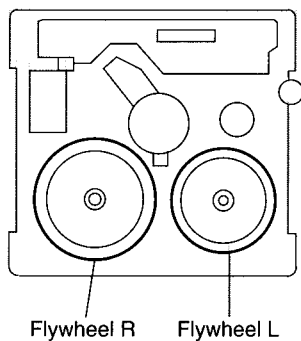


Fig.10

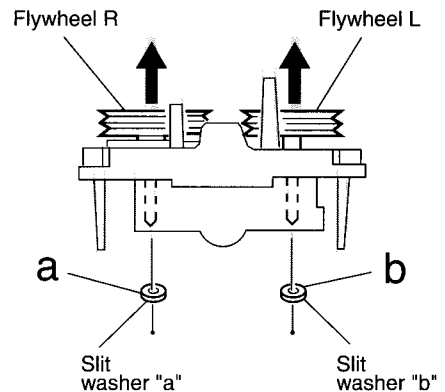


Fig.9

■ **Removing the reel pulse P.C.board and solenoid (See Fig. 11)**

- 1.Remove the five pawls (c,d,e,f,g) retaining the reel pulse P.C.Board.
- 2.From the surface of the reel pulse P.C.Board parts, remove the two pawls "h" and "i" retaining the solenoid.

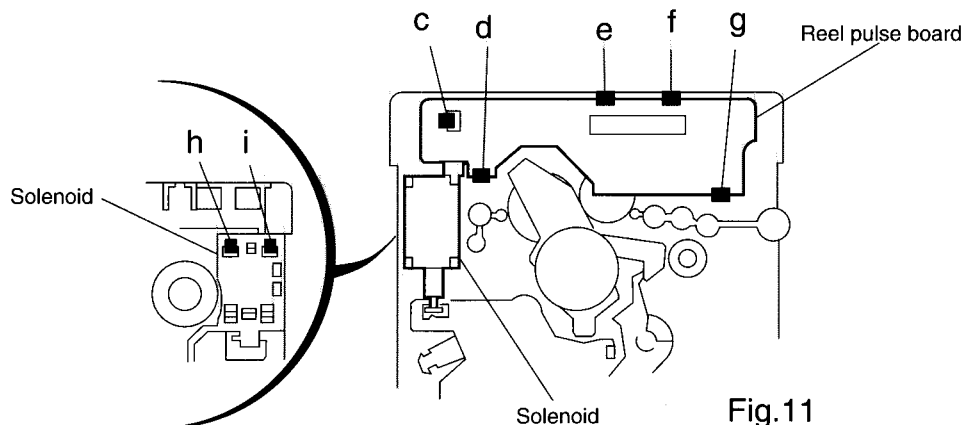


Fig.11

Adjustment method

Measurement instruments required for adjustment

1. Low frequency oscillator,
This oscillator should have a capacity to output 0dBs to 600ohm at an oscillation frequency of 50Hz-20kHz.
2. Attenuator impedance : 600ohm
3. Electronic voltmeter
4. Frequency counter
5. Wow flutter meter
6. Test tape
VTT712 : For Tape speed and wow flutter (3kHz)
VTT724 : For Reference level (1kHz)
TMT7036 : For Head angle(10kHz),Play back frequency characteristics(1kHz),and dubbing frequency characteristics(63,1,10kHz)
Because of frequency-mixed tape with 63,1k,10k and 14kHz(250nWb/m -24dB).
Use this tape together with a filter.
7. Blank tape
TAPE I: AC-225, TAPE II: AC-514
8. Torque gauge : For play and back tension
Forward ; TW2111A, Reverse ; TW2121A
Fast Forward and Rewind ; TW2231A
9. Test disc
: CTS-1000(12cm),GRG-1211(8cm)
10. Jitter meter

Measurement conditions

Power supply voltage
AC120V(60Hz) : J,C model
AC230V(50Hz) : B,E,EN model
AC110/127/220/230-240V(50/60Hz) : U model

Measurement
output terminal : Speaker out
:TP101(Mesuring for TUNER/DECK/CD)
:Dummy load 6ohm

Radio input signal

AM modulation frequency : 400Hz
Modulation factor : 30%
FM modulation frequency : 400Hz
Frequency displacement : 22.5kHz

Frequency Range

AM	530kHz~1710kHz	J,C
	531kHz~1710kHz	U
	522kHz~1629kHz	B,E,EN
LW	144kHz~288kHz	B,E,EN
FM	87.5MHz~108MHz	

Standard measurement positions of volume and switch

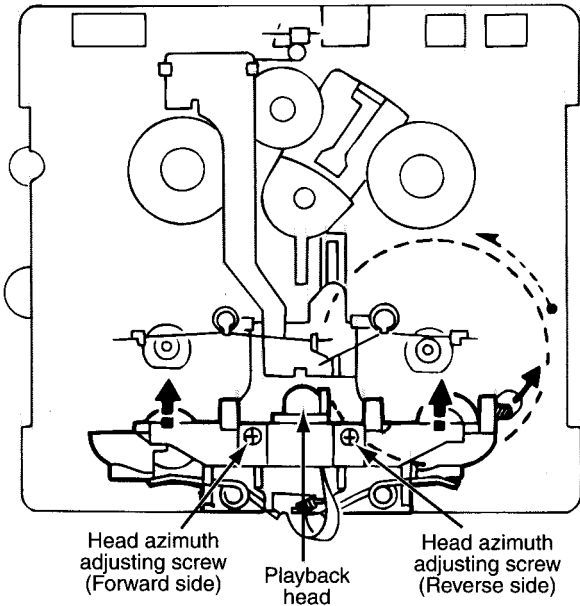
Power : Standby (Light STANDBY Indicator)
S,A,BASS : OFF
Sound mode : OFF
Main VOL. : 0 Minimum
Travers mecha set position : Disc 1
Mic MIX VOL : MAX(Only ver. U)
ECHO : OFF (Only ver. U)

Precautions for measurement

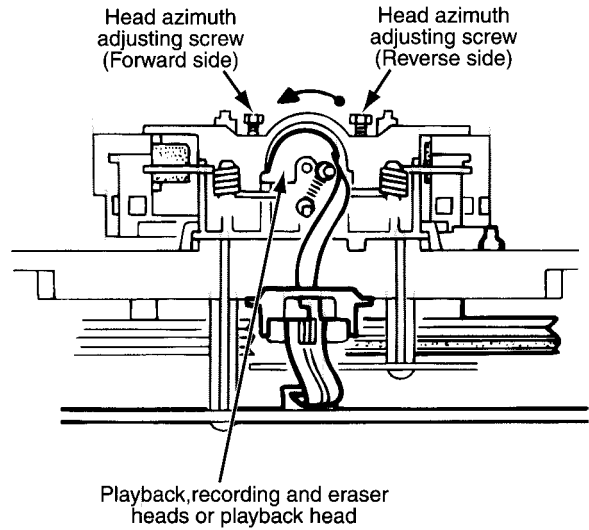
1. Apply 30pF and 33kohm to the IF sweeper output side and 0.082 F and 100kohm in series to the sweeper input side.
2. The IF sweeper output level should be made as low as possible within the adjustable range.
3. Since the IF sweeper is a fixed device, there is no need to adjust this sweeper.
4. Since a ceramic oscillator is used, there is no need to perform any MPX adjustment.
5. Since a fixed coil is used, there is no need to adjust the FM tracking.
6. The input and output earth systems are separated.
In case of simultaneously measuring the voltage in both of the input and output systems with an electronic voltmeter for two channels, therefore, the earth should be connected particularly.
7. In the case of BTL connection amplifier, the minus terminal of speaker is not for earthing. Therefore, be sure not to connect any other earth terminal to this terminal. This system is of an OTL system.

■ Arrangement of adjusting positions

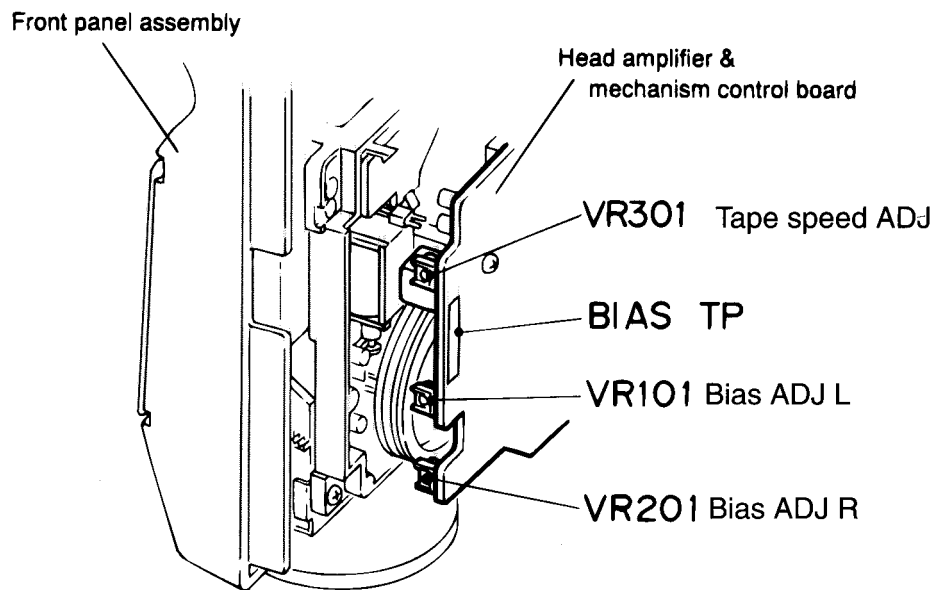
Cassette mechanism section (Mechanism A section)



Cassette mechanism section (Back side)



Cassette Mechanism Unit Section



■ **Tape recorder section**

Items	Measurement conditions	Measurement method	Standard values	Adjusting positions
Confirmation of head angle	Test tape :TMT7036(10kHz) Measurement output terminal :Speaker terminal Speaker R (Load resistor:3Ω) :Headphone terminal	1.Playback the test tape TMT7036(10kHz). 2.With the playback mechanism or recording & playback mechanism, adjust the head azimuth screw so that the forward and reverse output levels become maximum.After adjustment,lock the head azimuth at least by half a turn. 3.In either case,this adjustment should be performed in both the forward and reverse directions with the head azimuth screw.	Maximum output	Adjust the head azimuth screw only when the head has been changed.
Confirmation of tape speed	Test tape :VTT712(3kHz) or TMT7036(3kHz) Measurement output terminal :Headphone terminal	<Constant speed> Adjust VR301 so that the frequency counter reading becomes 3,000Hz±60Hz when playing back the test tape VTT712(3kHz)with the playback mechanism or playback and recording mechanism after ending forward winding of the tape.	Tape speed of decks (A and B) :3,000Hz ±60Hz	VR301

■ **Reference values for confirmation items**

Items	Measurement conditions	Measurement method	Standard values	Adjusting positions
Double tape speed	Test tape :TMT7036(10kHz) Measurement output terminal :Speaker terminal Speaker R (Load resistance:3Ω) measurement output terminal :Headphone terminal	After setting to the double speed motor, confirm that the frequency counter reading becomes 4,800+400/-300Hz when the test tape VTT712 (3kHz) has been play back with the playback mechanism.	4,800+400/-300Hz	Playback mechanism side
Difference between the forward and reverse speed. P/mecha and R/P mecha speed		When the test tape VTT712(3kHz) has been played back with the playback mechanism or recording and playback mechanism at the beginning of forward winding, the frequency counter reading of the difference between both of the mechanisms should be 6.0Hz or less.	60Hz or less	Both the playback and recording & playback mechanism
Wow & flutter	Test tape :TMT7036(10kHz) Measurement output terminal :Headphone terminal	When the test tape VTT712(3kHz) has been played back with the playback mechanism or recording and playback mechanism at the beginning of forward winding the frequency counter reading of wow & flutter should be 0.25% or less(WRMS).	with in 0.25% JIS(WTD)	Both the playback and recording & playback mechanism

■ Electrical performance

Items	Measurement conditions	Measurement method	Standard values	Adjusting positions
Adjustment of recording bias current (Reference value)	*Mode : Forward or reverse mode *Recording mode *Test tape :AC-514 and AC-225 Measurement output terminal :Both recording and headphone terminals	1.With the recording and playback mechanism, load the test tapes(AC-514 to TYP II and AC-225 to TYP I),and set the mechanism to the recording and pausing conditions in advance. 2.After connecting 100Ω in series to the recorder head,measure the bias current with a valve voltmeter at both of the terminals. 3.After resetting the [PAUSE] mode,start recording. At this time,adjust VR101 for LcH and VR201 for RcH so that the recording bias current values become $4.0\mu\text{A}$ (TYP I) and $4.20\mu\text{A}$ (TYP II).	AC-225 : $4.20\mu\text{A}$ AC-514 : $4.0\mu\text{A}$	LcH :VR101 RcH :VR201
Adjustment of recording and playback frequency characteristics	Reference frequency :1kHz and 10kHz (REF:-20dB) Test tape :TYP II AC-514 Measurement input terminal :OSC IN	1.With the recording and playback mechanism,load the test tape(AC-514 to TYP II),and set the mechanism to the recording and pausing condition in advance. 2.While repetitively inputting the reference frequency signal of 1kHz and 10kHz from OSC IN, record and playback the test tape. 3.While recording and playing back the test tape in TYP II ,adjust VR101 for LcH and VR201 for RcH so that the output deviation between 1kHz and 10kHz becomes $-1\text{dB}\pm 2\text{dB}$.	Output deviation between 1kHz and 10kHz : $-1\text{dB}\pm 2\text{dB}$	LcH :VR101 RcH :VR201

■ Reference values for electrical function confirmation items

Items	Measurement conditions	Measurement method	Standard values	Adjusting positions
Recording bias frequency	*Recording and playback side forward or reverse *Test tape :TYP II AC-514 *Measurement terminal BIAS TP on P.C.board	1.While changing over to and from BIAS 1 and 2, confirm that the frequency is changed. 2.With the recording and playback mechanism. load the test tape (AC-514 to TYP II),and set the mechanism to the recording and pausing conditions in advance. 3.Confirm that the BIAS TP frequency on the P.C.board is $100\text{kHz}\pm 6\text{kHz}$.	100kHz +9kHz -7kHz	
Eraser current (Reference value)	*Recording and playback side forward or reverse *Recording mode *Test tape :AC-514 and AC-225 Measurement terminal Both of the eraser head	1.With the recording and playback mechanism, load the test tapes(AC-514 to TYP II and AC-225 to TYP I),and set the mechanism to the recording and pausing condition in advance. 2.After setting to the recording conditions,connect $1\text{M}\Omega$ in series to the eraser head on the recording and playback mechanism side,and measure the eraser current from both of the eraser terminal.	TYP II :120mA TYP I :75mA	

Diagnosis which uses extension wire method

System control P.C.board

- 1.Remove the metal cover and CD changer mechanism.
- 2.Remove the front panel assembly.
- 3.One screw **A** is removed, and relay board is removed.
- 4.As shown in fig.1, place the front panel assembly after opening it outward using the right side of the front panel as an axis.
- 5.The extension wire is connected with CN870 & CN871 on the INPUT/OUTPUT board and CN860 & CN861 on the main board.

Extension wire parts No.

QUQ412-4020CJ	FLAT WIRE
JIG-MXJ500	CONNECTOR Board x 2

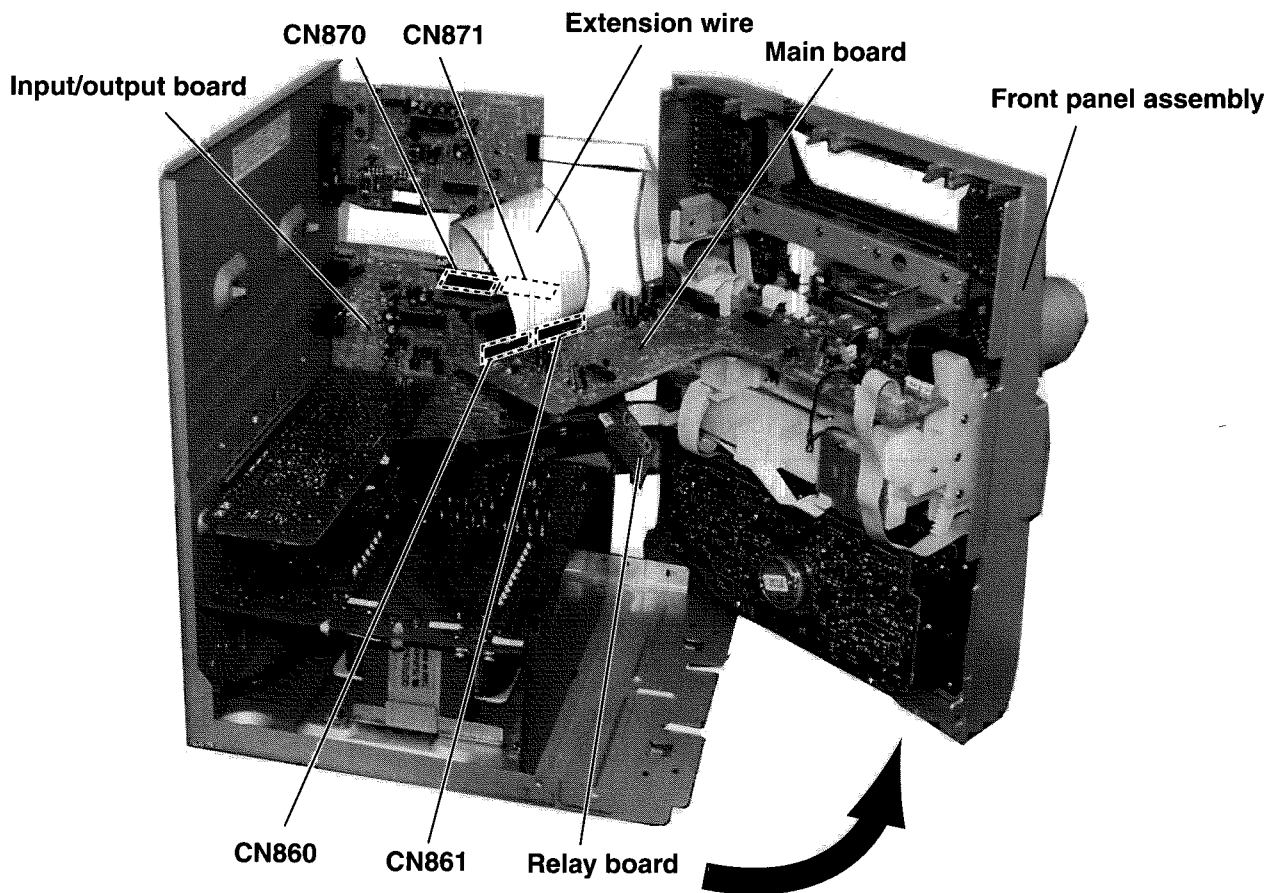
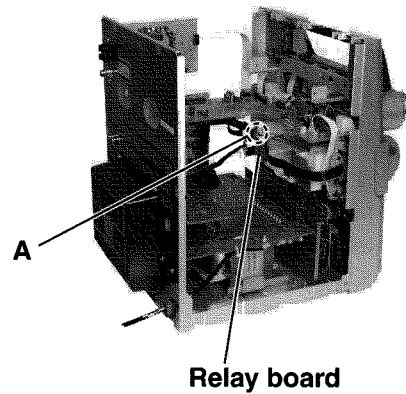
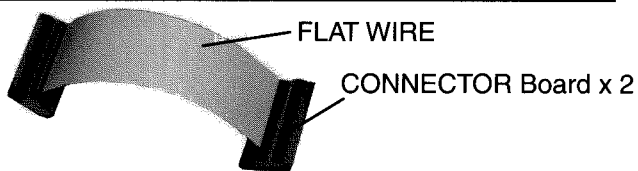
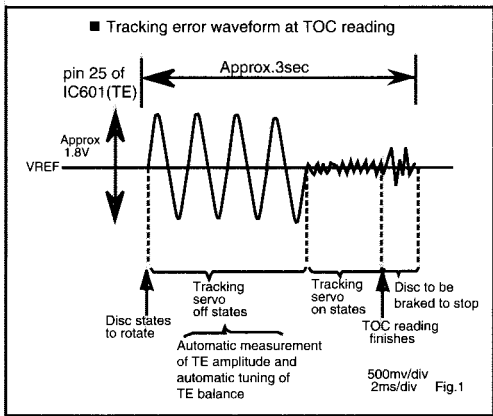
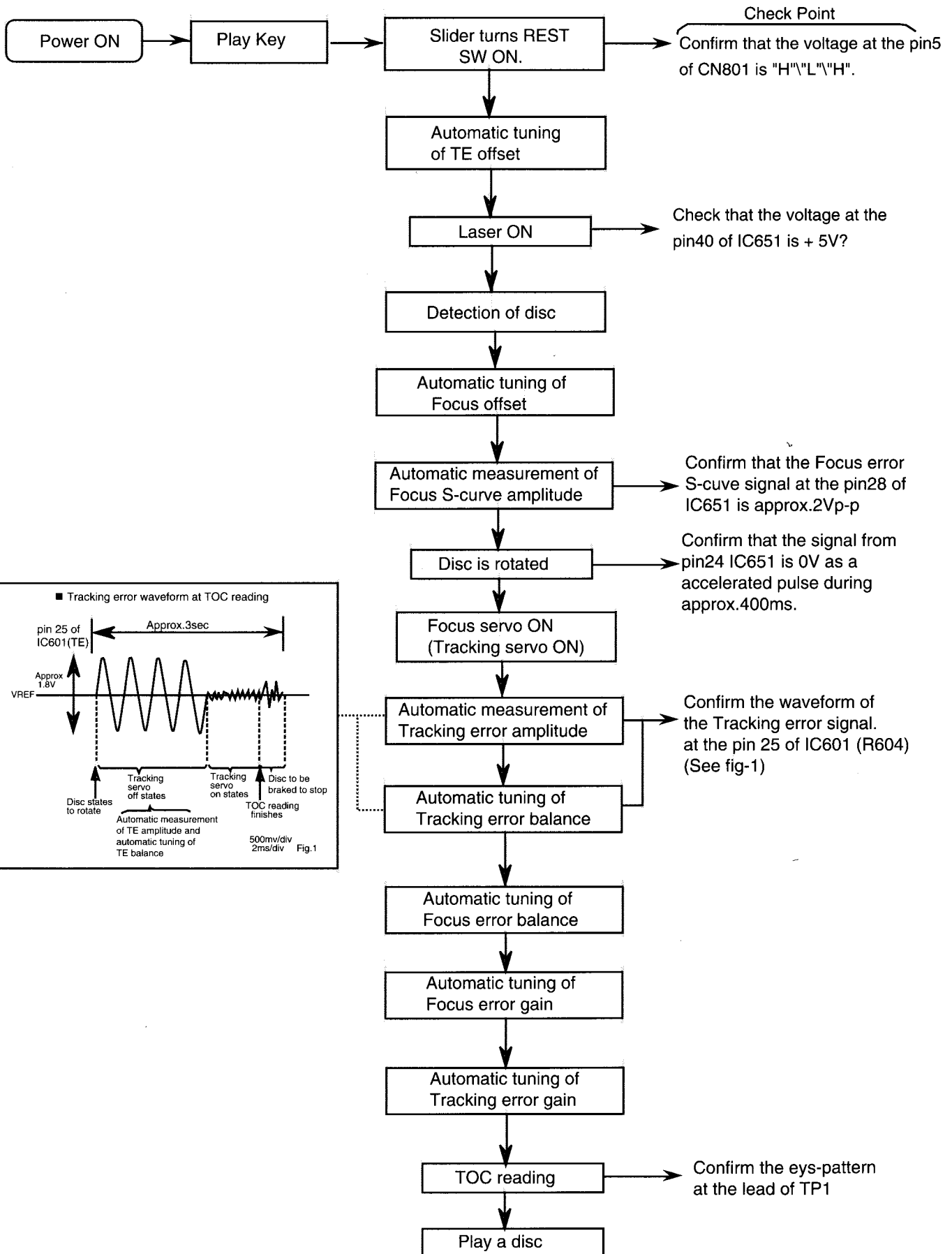


Fig.1

Flow of functional operation until TOC read

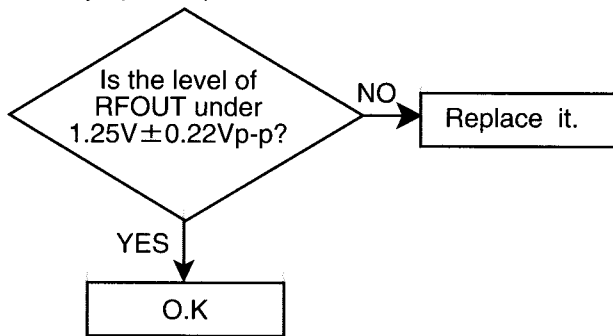


Maintenance of laser pickup

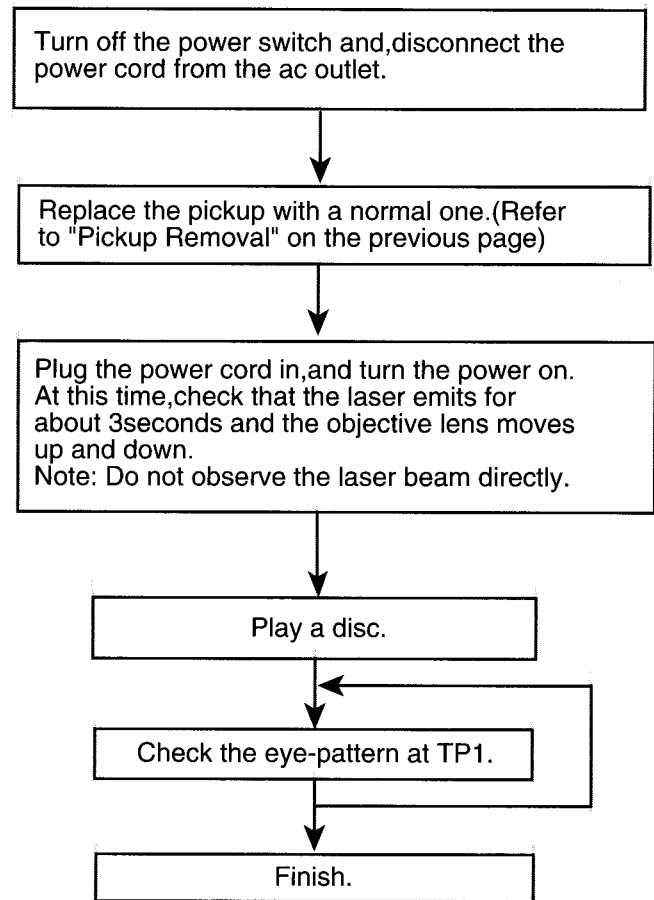
(1) Cleaning the pick up lens
 Before you replace the pick up, please try to clean the lens with a alcohol soaked cotton swab.

(2) Life of the laser diode
 When the life of the laser diode has expired, the following symptoms will appear.

1. The level of RF output (EFM output: amplitude of eye pattern) will below.



Replacement of laser pickup



(3) Semi-fixed resistor on the APC PC board The semi-fixed resistor on the APC printed circuit board which is attached to the pickup is used to adjust the laser power. Since this adjustment should be performed to match the characteristics of the whole optical block, do not touch the semi-fixed resistor.
 If the laser power is lower than the specified value, the laser diode is almost worn out, and the laser pickup should be replaced.
 If the semi-fixed resistor is adjusted while the pickup is functioning normally, the laser pickup may be damaged due to excessive current.

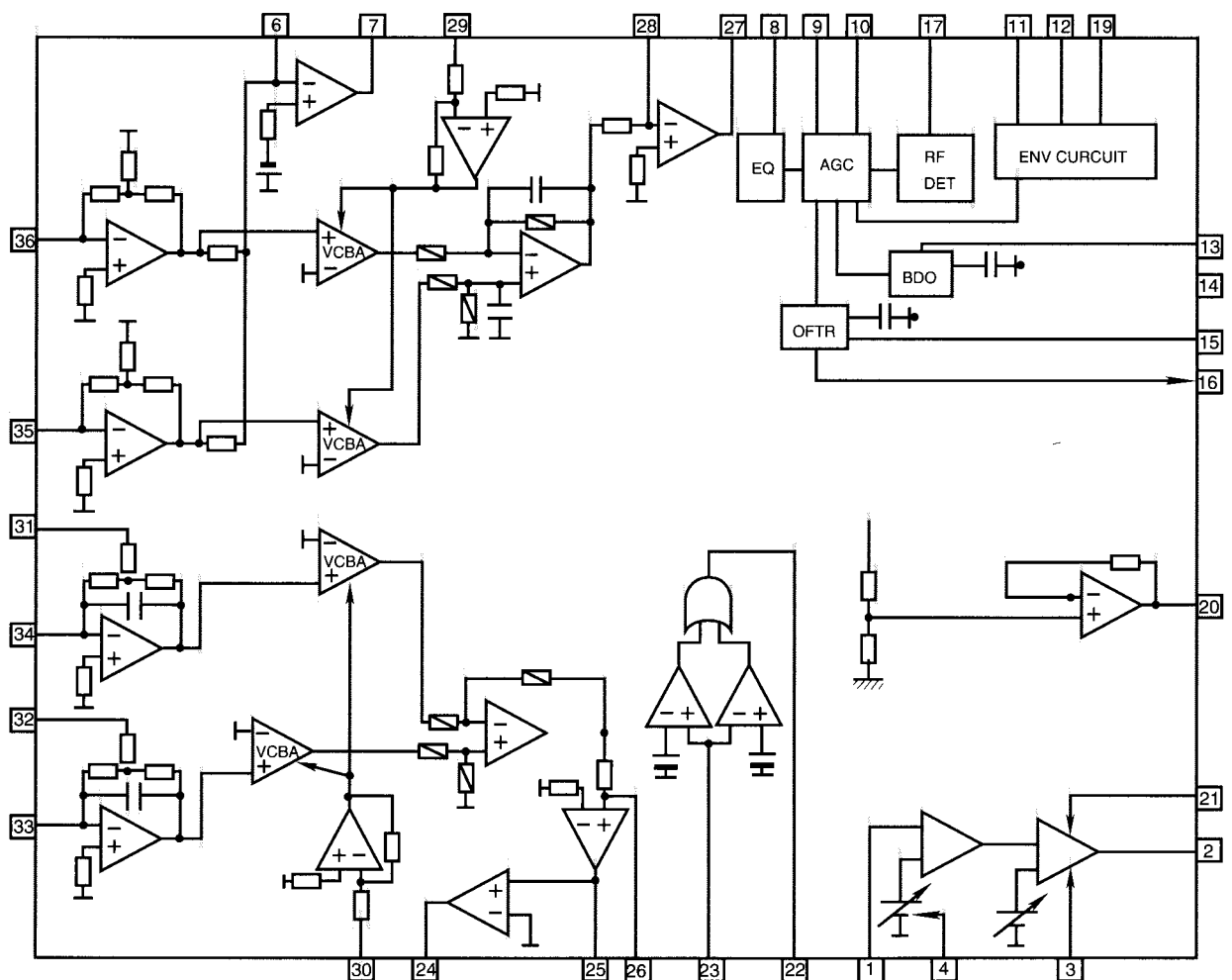
Description of major ICs

■ AN8806SB-W (IC601) : RF&Servo AMP

1.Pin layout

PD	1	36	PDAC
LD	2	35	PDBD
LDON	3	34	PDF
LDP	4	33	PDE
VCC	5	32	PDER
RF-	6	31	PDFR
RF OUT	7	30	TBAL
RF IN	8	29	FBAL
C.AGC	9	28	EF-
ARF	10	27	EF OUT
C.ENV	11	26	TE-
C.EA	12	25	TE OUT
CS BDO	13	24	CROSS
BDO	14	23	TE BPF
CS BRT	15	22	VDET
OFTR	16	21	LD OFF
/NRFDET	17	20	VREF
GND	18	19	ENV

2.Block diagram

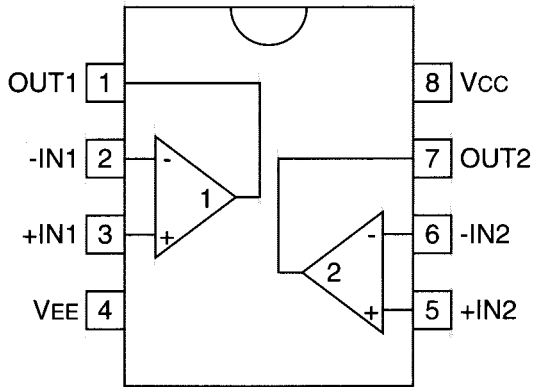


MX-J900/MX-J950R

3. Pin function

Pin No.	Symbol	I/O	Description
1	PD	I	APC amp input terminal
2	LD	O	APC amp output terminal
3	LD ON	I	APC ON/OFF control terminal
4	LDP	--	Connect to ground
5	VCC	--	Power supply
6	RF-	I	Inverse input pin for RF amp
7	RF OUT	O	RFamp output
8	RF IN	I	RF input
9	C.AGC	I/O	Connecting pin of AGC loop filter
10	ARF	O	RF output
11	C.ENV	I/O	A capacitor is connected to this terminal to detect the envelope of RF signal
12	C.EA	I/O	A capacitor is connected to this terminal to detect the envelope of RF signal
13	CS BDO	I/O	A capacitor is connected to detect the lower envelope of RF signal
14	BDO	O	BDO output pin
15	CS BRT	I/O	A capacitor is connected to detect the lower envelope of RF signal
16	OFTR	O	Of-track status signal output
17	/NRFDET	O	RF detection signal output
18	GND	--	Ground
19	ENV	O	Envelope output
20	VREF	O	Reference voltage output
21	LD OFF	--	Connect to ground
22	VDET	O	Vibration detection signal output
23	TE BPF	I	Input pin of tracking error through BPF
24	CROSS	O	Tracking error cross output
25	TE OUT	O	Tracking error signal output
26	TE-	I	Inverse input pin for tracking error amp
27	FE OUT	O	Output pin of focus error
28	FE-	I	Inverse input pin for focus error amp
29	FBAL	I	Focus balance control
30	TBAL	I	Tracking balance control
31	PDFR	I/O	F I-V amp gain control
32	PDER	I/O	E I-V amp gain control
33	PDF	I	I-V amp input
34	PDE	I	I-V amp input
35	PD BD	I	I-V amp input
36	PD AC	I	I-V amp input

■ BA15218(IC481,501,502,526,546,571):OP AMP.

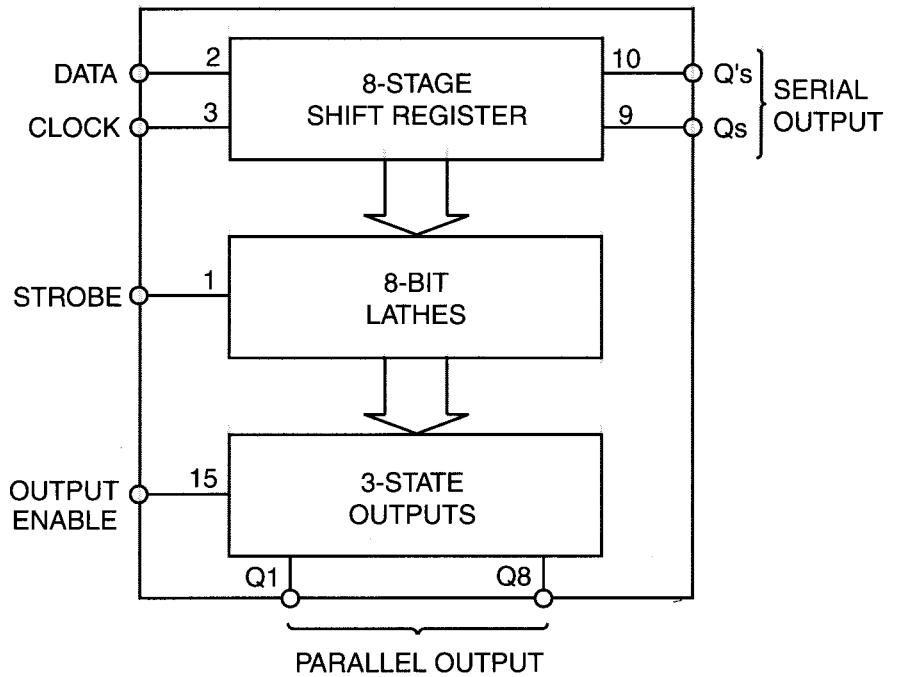


■ BU4094BCF-X(IC303,IC304):Serial to parallel port extension

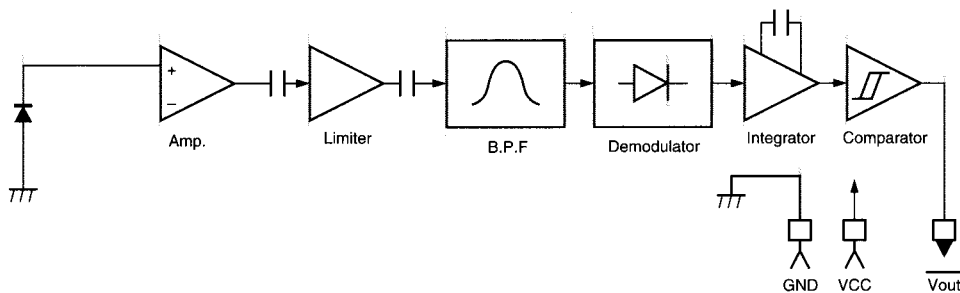
1.Pin layout

STROBE	1	16	Vdd
DATA	2	15	OUTPUT ENABLE
CLOCK	3	14	Q5
Q1	4	13	Q6
Q2	5	12	Q7
Q3	6	11	Q8
Q4	7	10	Q's
Vss	8	9	Qs

2.Block diagram

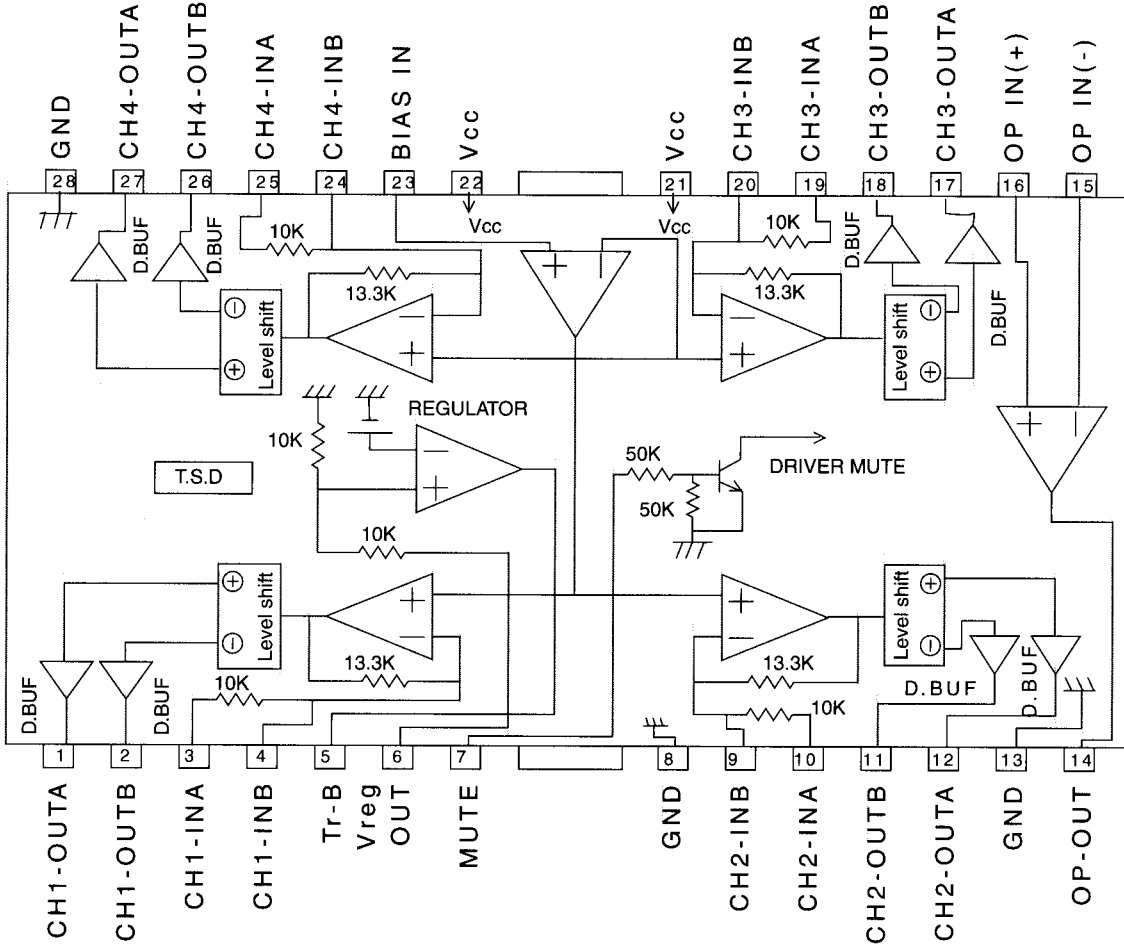


■ GP1U281X (IC915) : Receiver for remote controller



■ BA6897FP-W(IC801): 4channel driver

1.Pin layout & Block diagram



T.S.D; Thermal shutdown

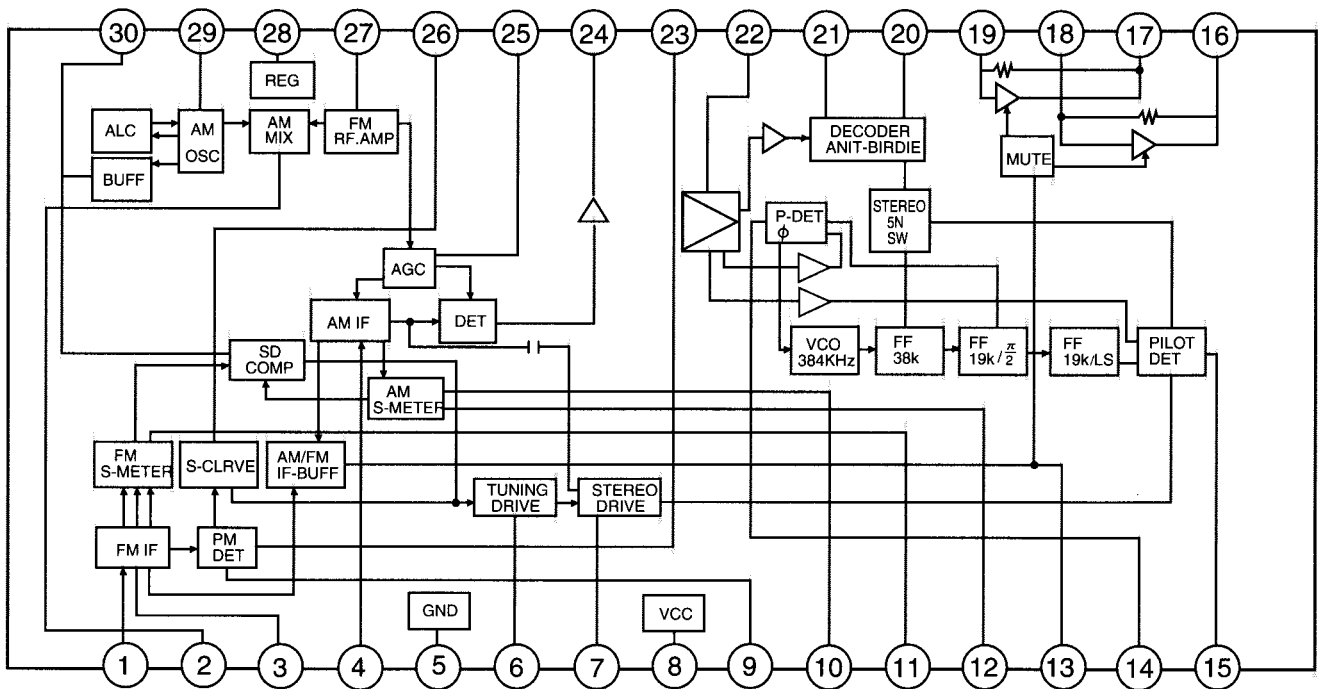
D.BUF: Drive buffer

2.Pin function

Pin NO.	Symbol	Function	Pin NO.	Symbol	Function
1	CH1-OUTA	Driver CH1 - output	15	OP IN(-)	Operation amplifier - input
2	CH1-OUTB	Driver CH1 + output	16	OP IN(+)	Operation amplifier + output
3	CH1-INA	Driver CH1 input	17	CH3-OUTA	Driver CH3 - output
4	CH1-INB	Driver CH1 gain adjustment Input terminal	18	CH3-OUTB	Driver CH3 + output
5	Tr-B	Connect to the base of external Tr	19	CH3-INA	Driver CH3 input
6	Vreg OUT	Fixed voltage output	20	CH3-INB	Driver CH3 gain adjustment Input terminal
7	MUTE	Mute control terminal	21	Vcc	Power supply terminal
8	GND	GND	22	Vcc	Power supply terminal
9	CH2-INB	Driver CH2 gain adjustment Input terminal	23	BAIS IN	Bias amplifier input terminal
10	CH2-INA	Driver CH2 input	24	CH4-INB	Driver CH4 gain adjustment Input terminal
11	CH2-OUTB	Driver CH2 + output	25	CH4-INA	Driver CH4 input
12	CH2-OUTA	Driver CH2 - output	26	CH4-OUTB	Driver CH4 + output
13	GND	Sub-slate GND	27	CH4-OUTA	Driver CH4 - output
14	OPOUT	Operation amplifier output	28	GND	Sub-slate GND

■ LA1838(IC1): FM AM IF AMP&detector, FM MPX decoder

1. Block Diagram



2. Pin Function

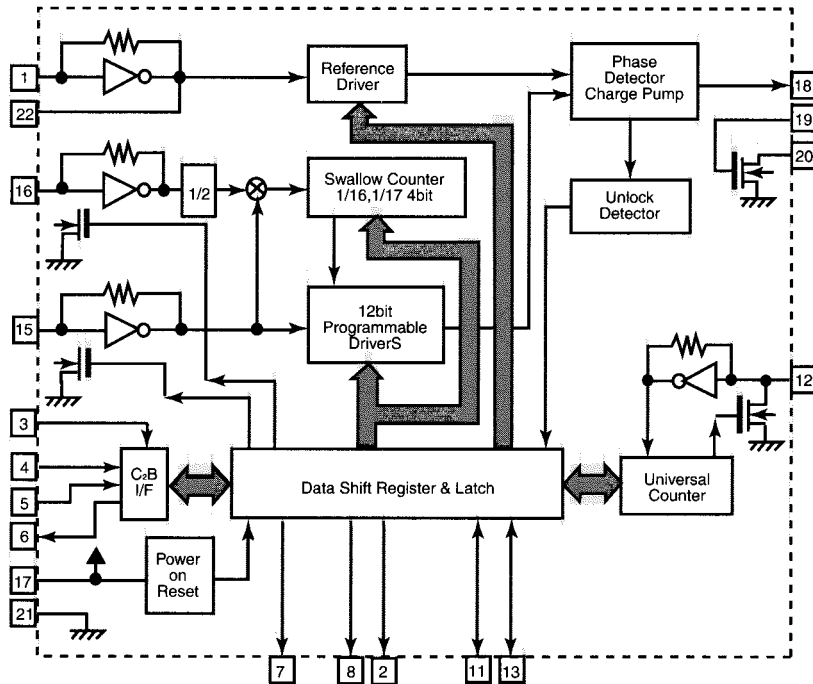
Pin No.	Symbol	I/O	Function	Pin No.	Symbol	I/O	Function
1	FM IN	I	This is an input terminal of FM IF signal.	16	L OUT	O	Left channel signal output.
2	AM MIX	O	This is an out put terminal for AM mixer.	17	R OUT	O	Right channel signal output.
3	FM IF	I	Bypass of FM IF	18	L IN	I	Input terminal of the left channel post AMP.
4	AM IF	I	Input of AM IF Signal.	19	R IN	I	Input terminal of the right channel post AMP.
5	GND	-	This is the device ground terminal.	20	RO	O	Mpx Right channel signal output.
6	TUNED	O	When the set is tuning, this terminal becomes "L".	21	LO	O	Mpx Left channel signal output.
7	STEREO	O	Stereo indicator output. Stereo "L", Mono: "H"	22	IF IN	I	Mpx input terminal
8	VCC	-	This is the power supply terminal.	23	FM OUT	O	FM detection output.
9	FM DET	-	FM detect transformer.	24	AM DET	O	AM detection output.
10	AM SD	-	This is a terminal of AM ceramic filter.	25	AM AGC	I	This is an AGC voltage input terminal for AM
11	FM VSM	O	Adjust FM SD sensitivity.	26	AFC	-	This is an output terminal of voltage for FM-AFC.
12	AM VSM	O	Adjust AM SD sensitivity.	27	AM RF	I	AM RF signal input.
13	MUTE	I/O	When the signal of IF REQ of IC121(LC72131) appear, the signal of FM/AM IF output. //Muting control input.	28	REG	O	Register value between pin 26 and pin28 decides the frequency width of the input signal.
14	FM/AM	I	Change over the FM/AM input. "H" :FM, "L" : AM	29	AM OSC	-	This is a terminal of AM Local oscillation circuit.
15	MONO/ST	O	Stereo : "H", Mono: "L"	30	OSC BUFFER	O	AM Local oscillation Signal output.

■ LC72136N (IC2) : PLL Frequency synthesizer

1. Pin layout

XT	1	22	XT
FM/AM	2	21	GND
CE	3	20	LPFOUT
DI	4	19	LPFIN
CLOCK	5	18	PD
DO	6	17	VCC
FM/ST/VCO	7	16	FMIN
AM/FM	8	15	AMIN
	9	14	
	10	13	IFCONT
SDIN	11	12	IFIN

2. Block

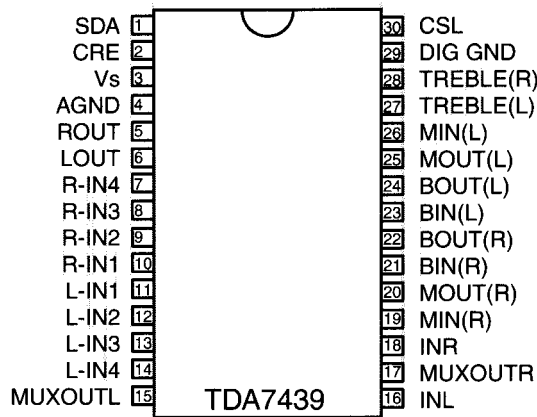


3. Function

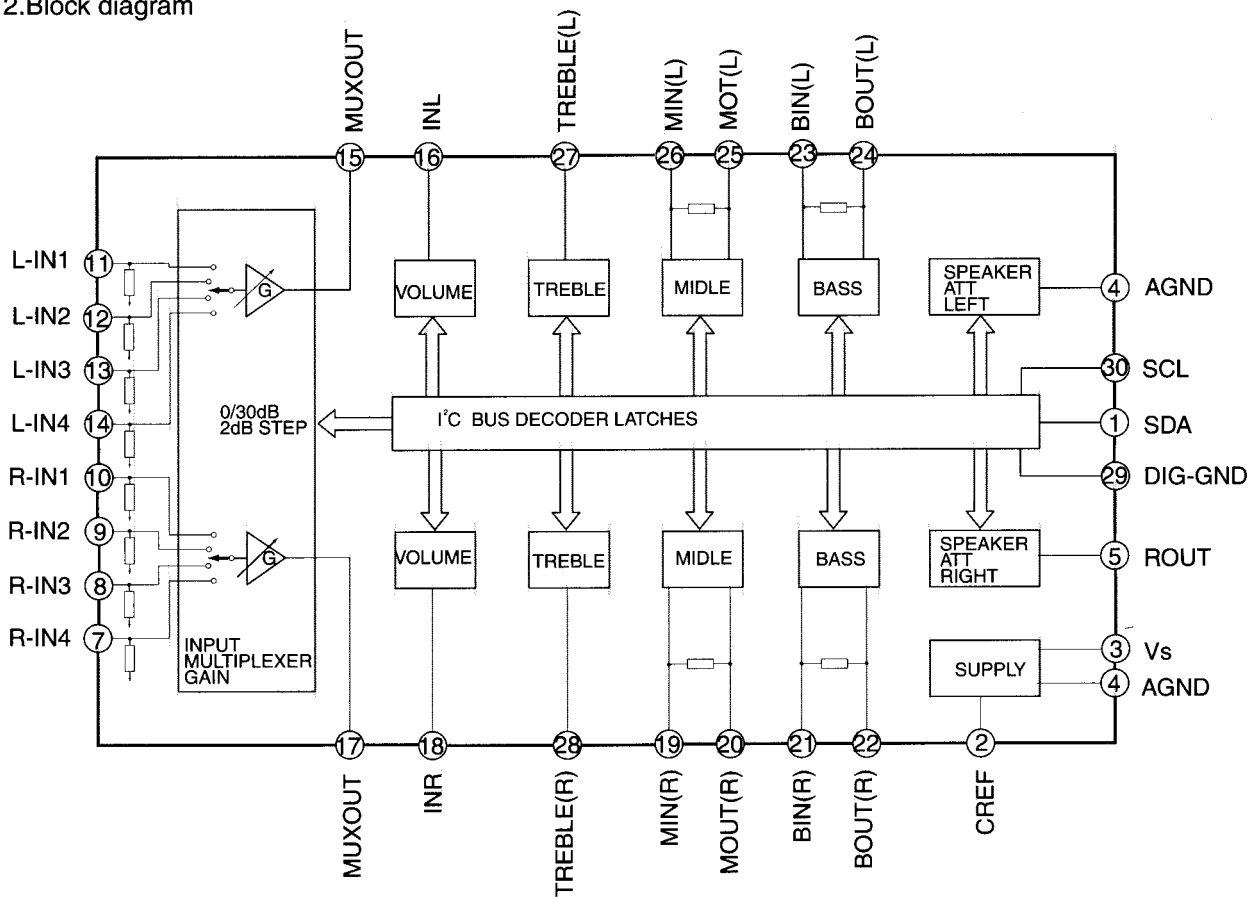
Pin No.	Symbol	I/O	Function	Pin No.	Symbol	I/O	Function
1	XT	I	X'tal oscillator connect (75kHz)	12	IFIN	I	IF counter signal input
2	FM/AM	O	LOW:FM mode	13	IFCONT	O	IF signal output
3	CE	I	When data output/input for 4pin(input) and 6pin(output): H	14		-	Not use
4	DI	I	Input for receive the serial data from controller	15	AMIN	I	AM Local OSC signal output
5	CLOCK	I	Sync signal input use	16	FMIN	I	FM Local OSC signal input
6	DO	O	Data output for Controller Output port	17	VCC	-	Power suply(VDD=4.5-5.5V) When power ON:Reset circuit move
7	FM/ST/VCO	O	"Low": MW mode	18	PD	O	PLL charge pump output(H: Local OSC frequency Height than Reference frequency. L: Low Agreement: Height impedance)
8	AM/FM	O	Open state after the power on reset	19	LPFIN	I	Input for active lowpassfilter of PLL
9	LW	I/O	Input/output port	20	LPFOUT	O	Output for active lowpassfilter of PLL
10	MW	I/O	Input/output port	21	GND	-	Connected to GND
11	SDIN	I/O	Data input/output	22	XT	I	X'tal oscillator(75KHz)

■ TDA7439 (IC436) : Control volume

1.Pin layout



2.Block diagram



■ MN101CP35DEA(IC810):System controller

Pin function (1/2)

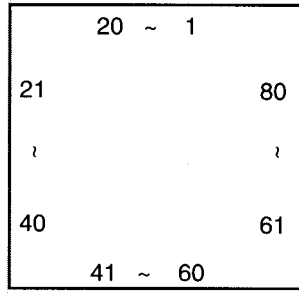
Pin No.	Symbol	I/O	Function
1	KCMND	O	SVC3 Serial data output
2	MSTAT	I	SVC3 status input input
3	KCLK	I	SVC3 Serial clock input
4	DATAOUT	O	SLC/TUNER data output
5	DATAIN	I	TUNER data input
6	CK	O	SLC/TUNER clock
7	BEAT	O	Beat cut signal output of TUNER
8	VDD	-	Power supply +5V
9,10	OSC2,1	I/O	Oscillation terminal (8MHz)
11	VSS	-	Connect to GND
12,13	XI,XO	I/O	Sub clock (32.768kHz)
14	MMOD	-	Connect to GND
15	VREF-	-	Connect to GND
16~19	KEY1~4	I	Key matrix input 1~4
20	SLCKEY1	I	Tape B playback/recording detect switch
21	SLCKEY2	I	Tape B playback detect switch
22	SLCKEY3	I	Tape A playback detect switch
23	SPI	I	SPI IN
24	VREF+	I	
25	MRDY	I	VC3 Ready
26	RESET	I	Reset signal input
27	P OPEN	I	Rolling panel open detection signal input
28	P CLOSE	I	Rolling panel close detection signal input
29	VOLLED	O	LED Control signal output (VOL)
30	MSI	I	MS detector signal input
31	ECHO2	-	Echo ON/OFF(Not used)
32	ECHO1	-	Echo ON/OFF(Not used)
33	REMIN	I	Remote control signal input
34	PHOTOA	I	Tape A mechanism running detection signal input
35	PHOTOB	I	Tape B mechanism running detection signal input
36	INH	I	Inhibit signal input
37	RDSCLK	I	Clock signal input from IC3 (B/E/EN model)
38	PRT	I	Protector input
39	EXTCE		EXT IC Chip enable
40~41	BASSVOL+/-	I	Bass volume rotary encoder input(+/-)
42	RDS-DATA	I	RDS data input from IC3(B/E/EN model)
43	SPIA		SPI Control A
44	SPIB		SPI Control B
45,46	VOL+/-	I	Volume rotary encoder input (+/-)
47	MPX	I	Stereo detect
48	FVOLDA	O	Front volume data output
49	VOLCLK	O	Clock signal output to IC436
50	BASSLED	O	LED Control signal output (BASS)

Pin function (2/2)

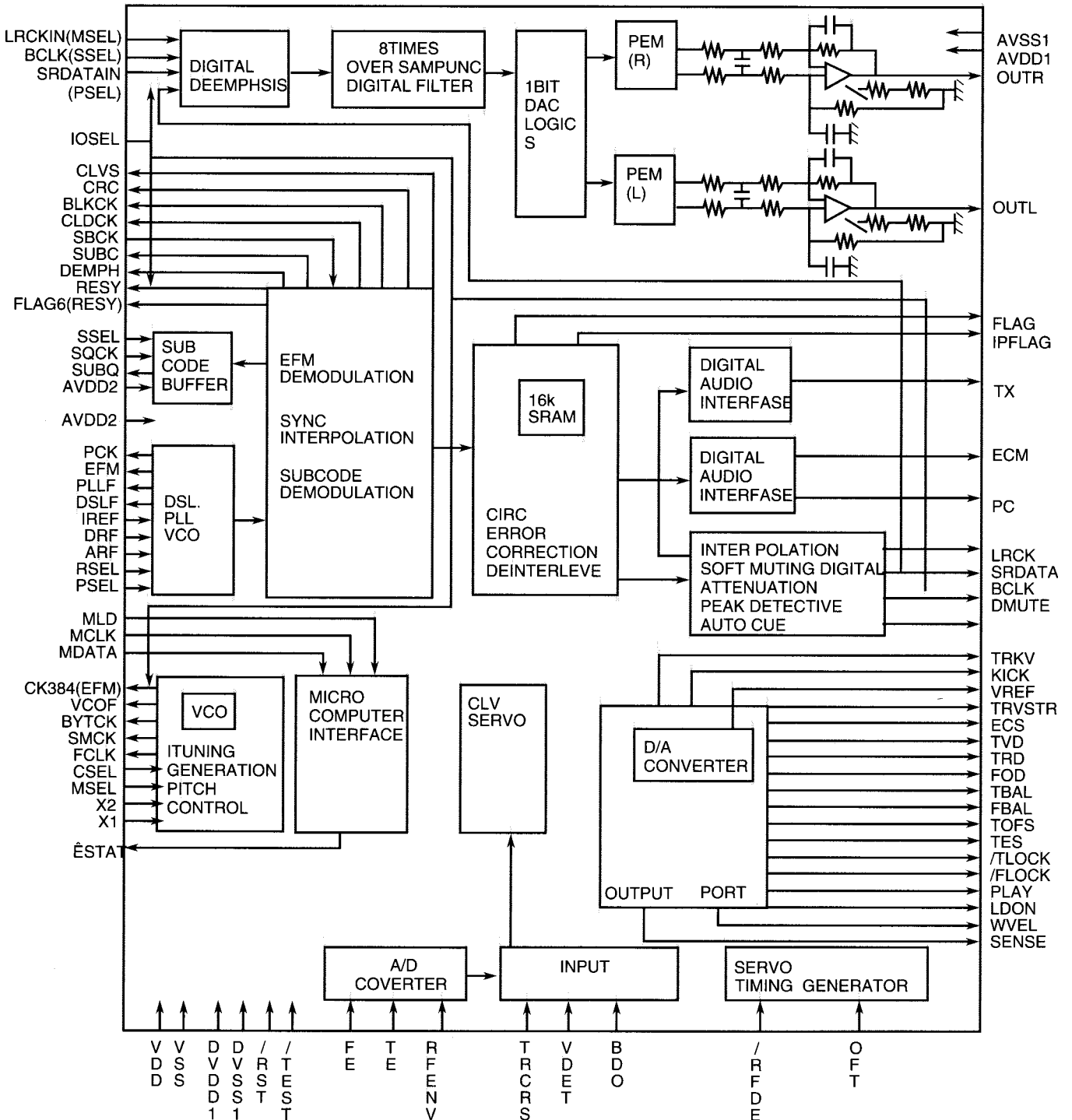
Pin No.	Symbol	I/O	Function
51~63	G13~G1	O	FL grid control signal output
64~87	P1~P24	O	FL segment control signal output
88	SLCCE	O	SLC Chip enable signal output to IC303,IC304
89	AUX LED	O	LED Control signal output (AUX)
90	DOORCL	O	Rolling panel motor control signal output
91	DOOR OPEN	O	Rolling panel motor control signal output
92	CDLED	O	LED Control signal output (CD)
93	TAPE LED	O	LED Control signal output (TAPE)
94	TU LED	O	LED Control signal output (TUNER)
95	SMUTE	O	System mute control signal output
96	BTU+	O	Tuner supply control
97	POUT	O	Power ON/OFF
98	TUCE	O	TUNER Chip enable signal output
99	VC3RESET	O	VC3 reset output
100	VPP	-	Power supply

■ MN35510 (IC651) : DIGITAL SERVO&DIGITAL SIGNAL PROCESSER

1. Terminal Layout



2. Block Diagram

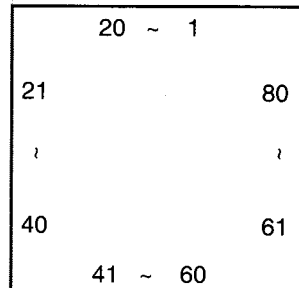


3. Description

Pin No.	symbol	I/O	Description	Pin No.	symbol	I/O	Description
1	BCLK	O	Not used	41	TES	O	Tracking error shunt signal output(H:shunt)
2	LRCK	O	Not used	42	PLAY	—	Not used
3	SRDATA	O	Not used	43	WVEL	—	Not used
4	DVDD1	—	Power supply (Digital)	44	ARF	I	RF signal input
5	DVSS1	—	Connected to GND	45	IREF	I	Reference current input pin
6	TX	O	Digital audio interface output	46	DRF	I	Bias pin for DSL
7	MCLK	I	μ com command clock signal input (Data is latched at signal's rising point)	47	DSLIF	I/O	Loop filter pin for DSL
8	MDATA	I	μ com command data input	48	PLLIF	I/O	Loop filter pin for PLL
9	MLD	I	μ com command load signal input	49	VCOF	—	Not used
10	SENSE	O	Not used	50	AVDD2	—	Power supply(Analog)
11	FLOCK	O	Not used	51	AVSS2	—	Connected to GND(Analog)
12	TLOCK	O	Not used	52	EFM	—	Not used
13	BLKCK	O	sub-code block clock signal output	53	PCK	—	Not used
14	SQCK	I	Outside clock for sub-code Q resistor input	54	PDO	—	Not used
15	SUBQ	O	Sub-code Q -code output	55	SUBC	—	Not used
16	DMUTE	—	Connected to GND	56	SBCK	—	Not used
17	STATUS	O	Status signal (CRC,CUE,CLVS,TTSTOP,ECLV,SQOK)	57	VSS	—	Connected to GND(for X'tal oscillation circuit)
18	RST	I	Reset signal input (L:Reset)	58	XI	I	Input of 16.9344MHz X'tal oscillation circuit
19	SMCK	—	Not used	59	X2	O	Output of X'tal oscillation circuit
20	PMCK	—	Not used	60	VDD	—	Power supply(for X'tal oscillation circuit)
21	TRV	O	Traverse enforced output	61	BYTCK	—	Not used
22	TVD	O	Traverse drive output	62	CLDCK	—	Not used
23	PC	—	Not used	63	FCLK	—	Not used
24	ECM	O	Spindle motor drive signal (Enforced mode output) 3-State	64	IPPLAG	—	Not used
25	ECS	O	Spindle motor drive signal (Servo error signal output)	65	FLAG	—	Not used
26	KICK	O	Kick pulse output	66	CLVS	—	Not used
27	TRD	O	Tracking drive output	67	CRC	—	Not used
28	FOD	O	Focus drive output	68	DEMPH		Not used
29	VREF	I	Reference voltage input pin for D/A output block (TVD,FOD,FBA,TBAL)	69	RESY	—	Not used
30	FBAL	O	Focus Balance adjust signal output	70	IOSEL	—	pull up
31	TBAL	O	Tracking Balance adjust signal output	71	TEST	—	pull up
32	FE	I	Focus error signal input(Analog input)	72	AVDD1	—	Power supply(Digital)
33	TE	I	Tracking error signal input(Analog input)	73	OUT L	O	Lch audio output
34	RF ENV	I	RF envelope signal input(Analog input)	74	AVSS1	—	Connected to GND
35	VDET	I	Vibration detect signal input(H:detect)	75	OUT R	O	Rch audio output
36	OFT	I	Off track signal input(H:off track)	76	RSEL	—	pull up
37	TRCRS	I	Track cross signal input	77	CSEL	—	Connected to GND
38	RFDET	I	RF detect signal input(L:detect)	78	PSEL	—	Connected to GND
39	BDO	I	BDO input pin(L:detect)	79	MSEL	—	Connected to GND
40	LDON	O	Laser ON signal output(H:on)	80	SSEL	—	Pull up

■ UPD78055GCA37 (IC251):CD Changer control

1. Terminal Layout

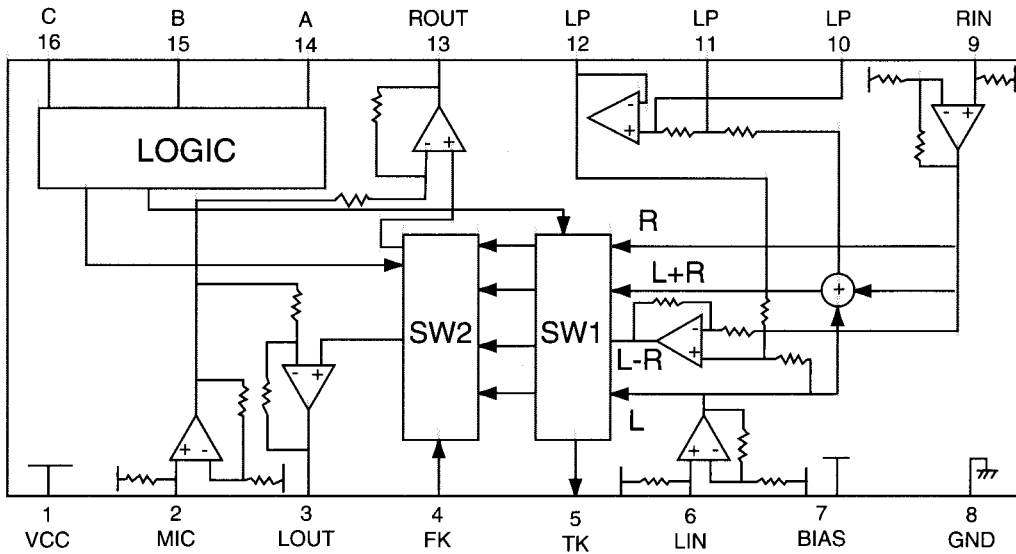


2. Pin function

Pin No.	symbol	I/O	Description	Pin No.	Symbol	I/O	Description
1	DEMPH	I	Deemphasis input	41	LM DOWN	O	L CAM down
2	DEMPHO	O	Deemphasis output	42	RM UP	O	R CAM up
3	OS OFF	I	On screen display on/off	43	RMDOWN	O	R CAM down
4	AVSS	-	Connected to GND	44	CHECK	I	Not used
5	MCS	I	Mode control select	45	CHECK1	I	Not used
6	MRDY	I	SUB Ready	46	CHECK2	I	Not used
7	AVREF1	-	AV reference	47	CHECK3	I	Not used
8	KCMND		SVC3 Serial data out put	48~59			connected to GND
9	MSTAT	O	SVC3 Status input input	60	RESET	I	VC3 reset out
10	KCLK	I	SVC3 Serial clock input	61	STAT	I	Status signal
11	SUB	I	Sub-code Q code output	62	HREG	O	Not used
12	RST	O	Reset signal input (L : Reset)	63	HRDY	I	Not used
13	SQCK	I	Outside clock for sub-code Q resister input	64	DRMUTE	O	BTL Driver mute
14	DMUTE	I	Digital mute	65	MCLK	I	μ com command clock signal input
15	MREQ	O	Not used	66	MDATA	I	μ com command data input
16	VCDEMP	-	Not used	67	MLD	I	μ com command lode signal input
17	SRDATA	-	Not used	68	VDD	-	Power supply (for X' tal Q oscillation circuit)
18	SRCLK	-	Not used	69	X2	O	Out of X' tal oscillation circuit
19~26	CAM0~7	I	CAM SW input	70	X1	I	Input of 16.9344MHz X' tal oscillation circuit
27~29	1~3SSW	I	Sub tray SW input	71	IC	-	connected to GND
30~32	3~1MSW	I	Sub tray SW output	72	XT2	-	Not used
33	VSS	-	Connected to GND	73	REST	I	Rest SW input
34	DISC	I	Disk sensor	74	AVDD	-	A/D converter power supply
35	SHIFT	I	Test mode(Not used)	75	AVREF	-	Digital GND
36	MNT	I	Test mode(Not used)	76	SSEL	-	Not used
37	MNT1	I	Test mode(Not used)	77	MSEL	-	Not used
38	MNT2	I	Test mode(Not used)	78	PSEL	-	Not used
39	VCORST	-	Not used	79	IOSEL	O	Data select out
40	LMUP	O	L CAM up	80	P ON	O	Power ON/OFF

■ BA3837(IC466):MIC Mixer

1. Block diagram

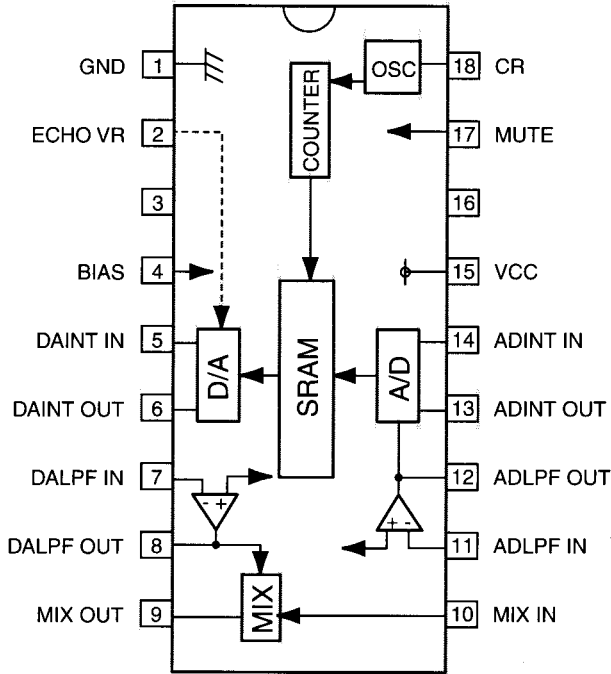


2. Pin function

Pin No.	Symbol	I/O	Description
1	VCC	-	Power supply
2	MIC IN	I	Microphone mixing input
3	LOUT	O	Channel L output
4	FK	-	Non connect
5	TK	-	Non connect
6	LIN	I	Channel L input
7	BIAS	I	Signal bias
8	GND	-	Connect to GND
9	RIN	I	Channel R input
10	LPF1	O	Connects to LPF time constant element
11	LPF2	O	Connects to LPF time constant element
12	LPF3	O	LPF output
13	ROUT	O	Channel R output
14	CONTA	I	Mode select input A
15	CONTB	I	Mode select input B
16	CONTC	I	Mode select input C

■ BU9253AS(IC902) : LPF&ECHO MIX.

1.Pin layout & block diagram

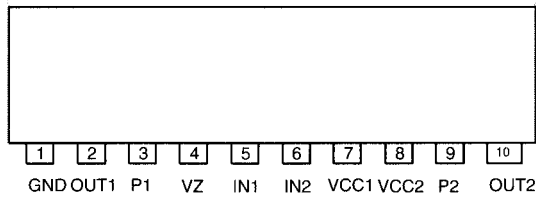


2.Pin function

Pin No.	Symbol	I/O	Descriptions
1	GND	-	Connect GND
2	ECHO VR	I	Echo level control
3		-	Non connect
4	BIAS	-	Analog part DC bias
5	DAINT IN	I	DA side integrator input
6	DAINT OUT	O	DA side integrator output
7	DALPF IN	I	DA side LPF input
8	DALPF OUT	O	DAside LPF output
9	MIX OUT	O	Mix AMP output for original tone& echo tone
10	MIX IN	I	Mix AMP input pin for original tone
11	ADLPF IN	I	AD side LPF input
12	ADLPF OUT	O	AD side LPF output
13	ADINT OUT	O	AD side integrator output
14	ADINT IN	I	AD side integrator input
15	VCC	-	Power supply
16	NC2	-	Non connect
17	MUTE	I	Mute control signal input
18	CR	-	CR pin for oscillator

■ **LB1641 (IC853) : DC motor driver**

1. Pin Layout

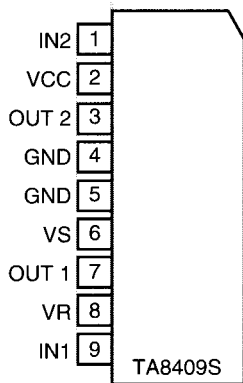


2. Pin Functions

Input		Output		Mode
IN1	IN2	OUT1	OUT2	
0	0	0	0	Brake
1	0	1	0	CLOCKWISE
0	1	0	1	COUNTER-CLOCKWISE
1	1	0	0	Brake

■ **TA8409S(IC851,IC852):Motor driver**

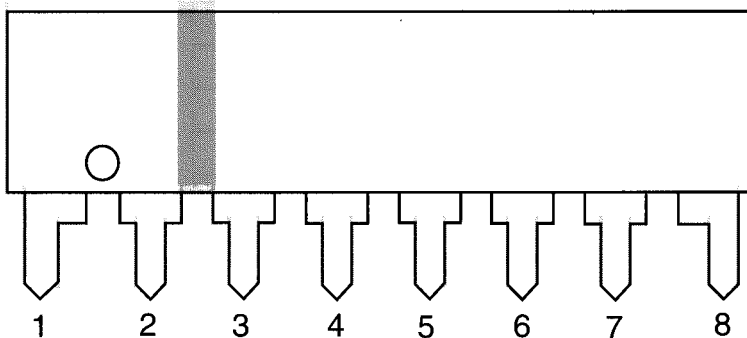
1.Pin layout



2.Pin function

INPUT		OUTPUT		MODE
IN1	IN2	OUT1	OUT2	
0	0	∞	∞	STOP
1	0	H	L	CW/CCW
0	1	L	H	CCW/CW
1	1	L	L	BRAKE

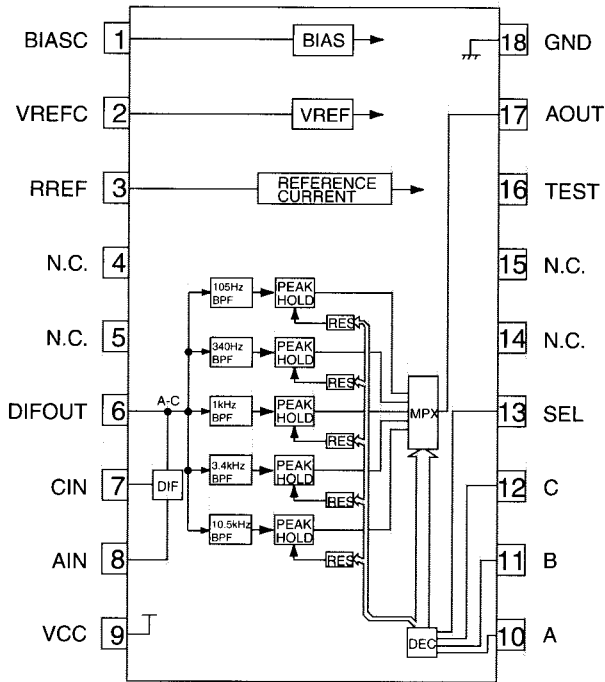
■ **NJM4580L (IC901) : Mic amplifier**



- 1. A OUTPUT
- 2. A-INPUT
- 3. A+INPUT
- 4. V⁻
- 5. B+INPUT
- 6. B-INPUT
- 7. B OUTPUT
- 8. V⁺

■ BA3835S (IC812) : SPI B.P.F.

1. Block Diagrams



2. Pin Function

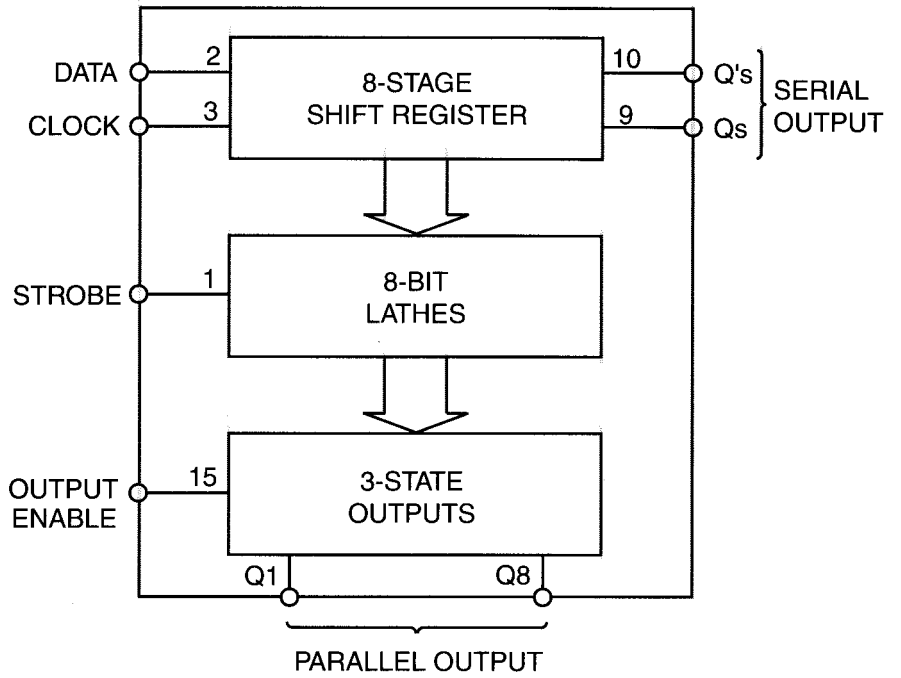
No.	Symbol	I/O	Function
1	BIASC	-	Decoupling condenser connection terminal.
2	VREFC	-	Decoupling condenser connection terminal.
3	RPEF	-	Reference resistance connection terminal.
4	NC	-	Non connect.
5	NC	-	Non connect.
6	NC	-	Non connect.
7	CIN	-	Connected to GND of audio system through a condenser.
8	AIN	I	Inputs the audio signal through a condenser.
9	VCC	-	Power supply terminal.
10	SPI-A	O	Output selection control terminal.
11	SPI-B	O	Output selection control terminal.
12	SPI-C	O	Output selection control terminal.
13	SPICSB	O	Output selection control terminal.
14	NC	-	Non connect.
15	NC	-	Non connect.
16	TEST	-	Connected to GND upon normal use.
17	AOUT	O	Multi-plexor output terminal.
18	GND	-	Connect to GND.

■ BU4094BC(IC811):Serial to parallel port extension

1.Pin layout

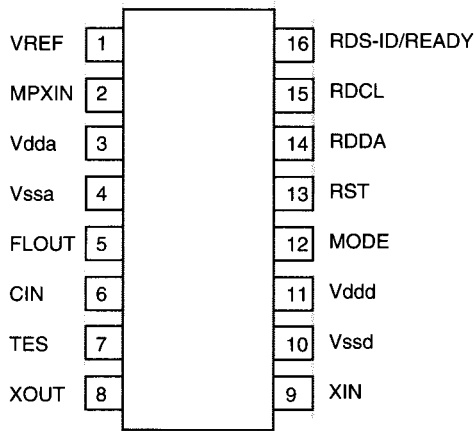
STROBE	1	16	Vdd
DATA	2	15	OUTPUT ENABLE
CLOCK	3	14	Q5
Q1	4	13	Q6
Q2	5	12	Q7
Q3	6	11	Q8
Q4	7	10	Q's
Vss	8	9	Qs

2.Block diagram

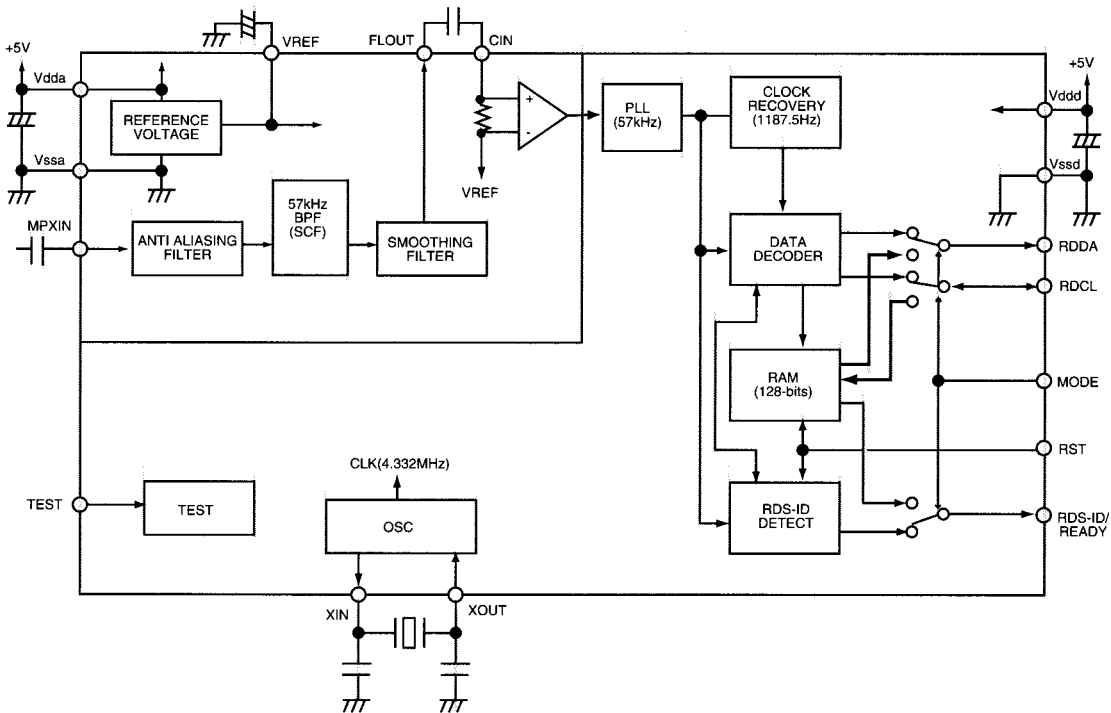


■ LA72723(IC3): RDS demodulation

1. Pin layout

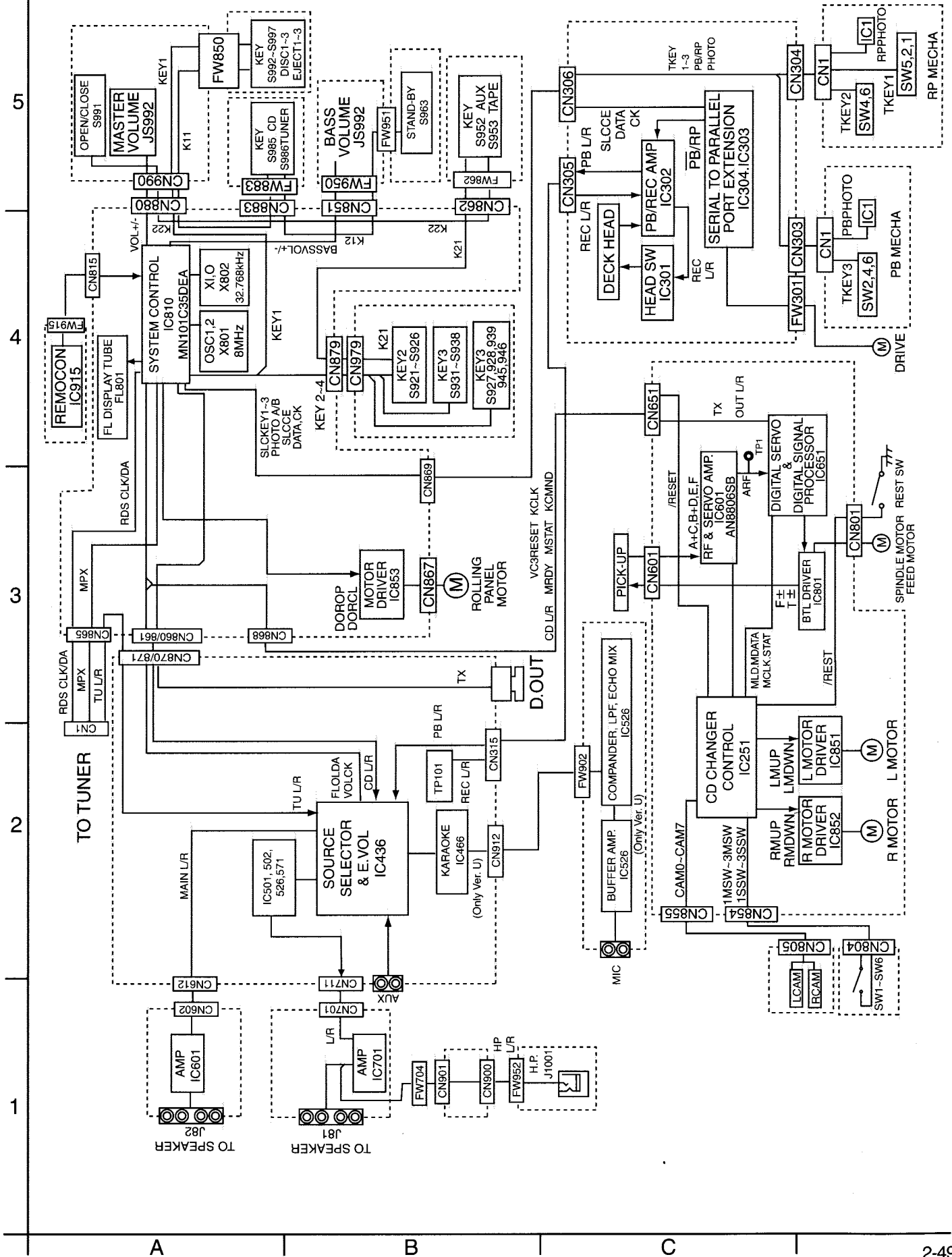


2. Block Diagram

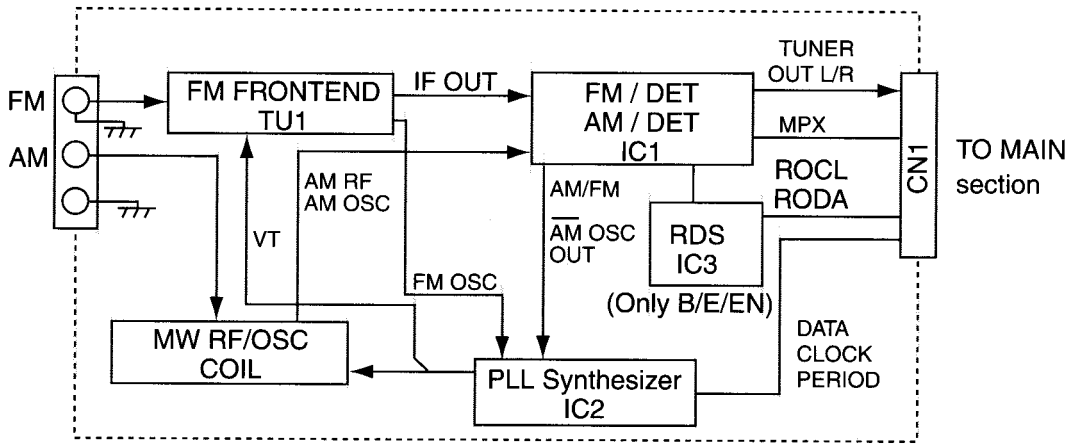


Block diagrams

MAIN/CASSETTE/CD section



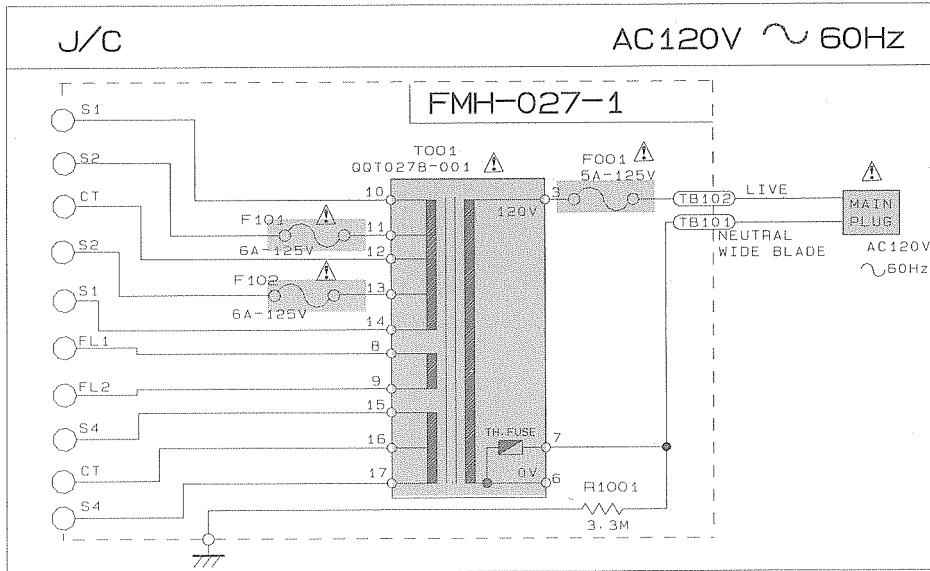
■ TUNER section



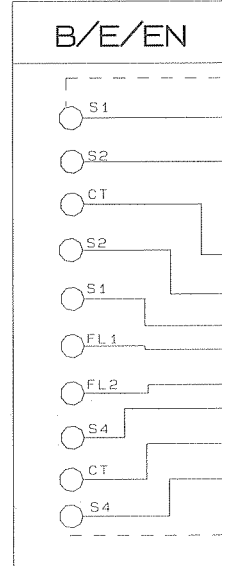
Standard schematic diagrams

■ Power transformer section

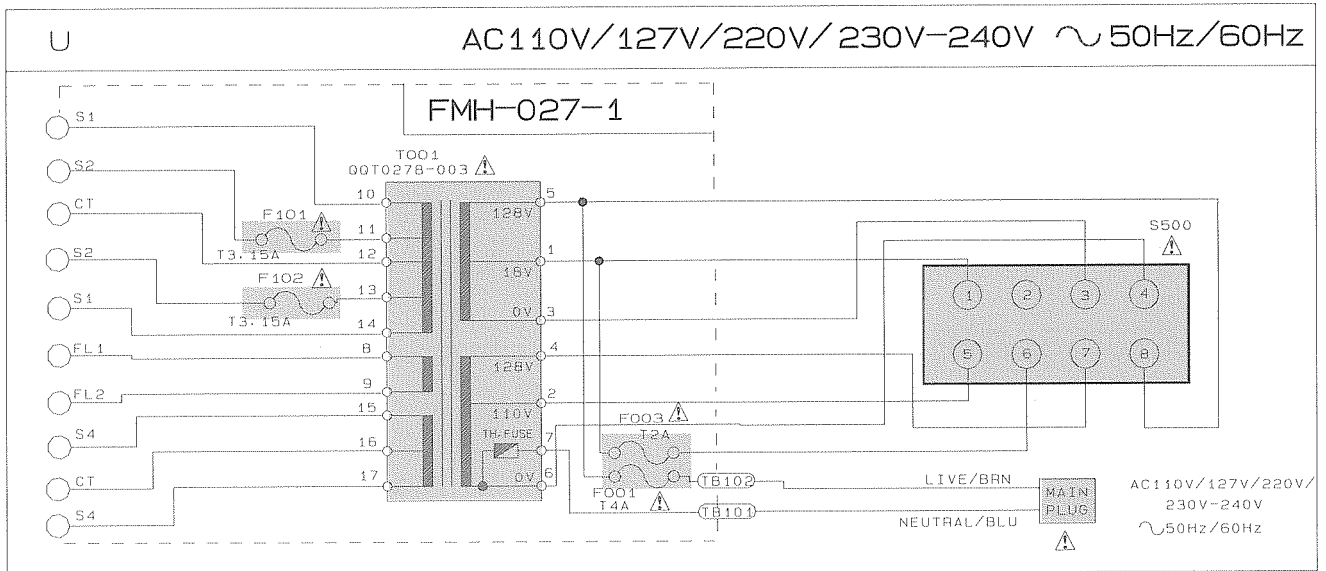
POWER SUPPLY BLOCK



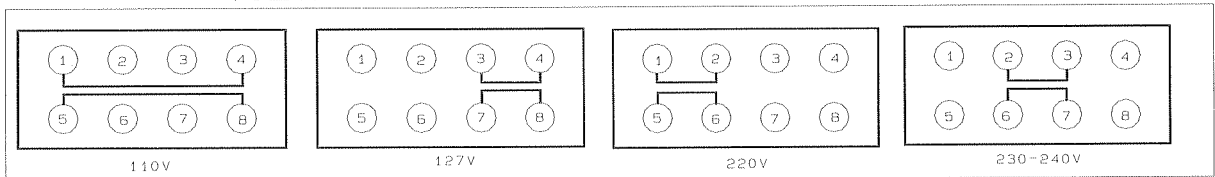
POWER SUPP



POWER SUPPLY BLOCK



VOLTAGE SELECTOR LOCATION



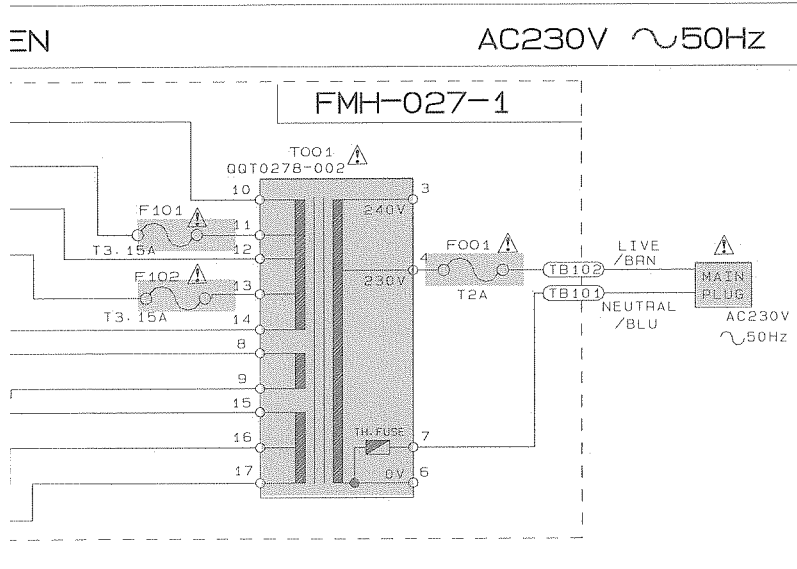
A

B

C

D

SUPPLY BLOCK



VERSION CODES

- J : U. S. A.
- C : CANADA
- B : U. K.
- E : CONTINENTAL EUROPE
- EN : NORDIC COUNTRIES
- U : UNIVERSAL EXCEPT ALL OF ABOVE

Parts are safety assurance parts.
When replacing those parts make
sure to use the specified.

EXPLANATION OF OVERALL OF SCHEMA.
MODEL CA-MXJ900/CA-MXJ950R/MX-J900/MX-J950R

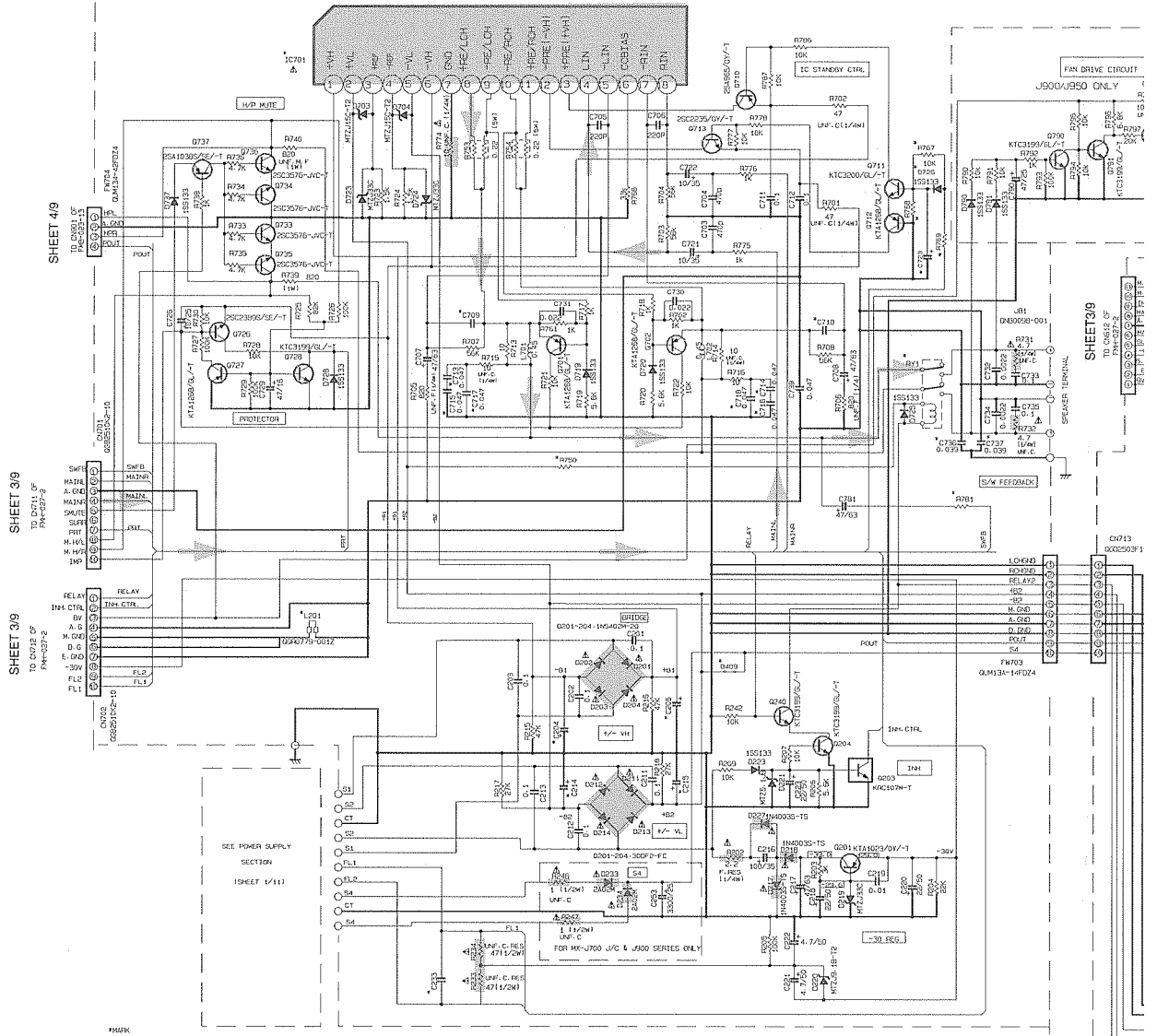
SHEET NUMBER	MODEL NUMBERS TO BE APPLIED	CIRCUITS DESCRIPTION
1/9	CA-MXJ900/CA-MXJ950R MX-J900/MX-J950R	. PRIMARY WITH MAINS TRANSFORMER
2/9	CA-MXJ900/CA-MXJ950R MX-J900/MX-J950R	. DC REGULATORS/AUDIO OUTPUT
3/9	CA-MXJ900/CA-MXJ950R MX-J900/MX-J950R	. EXTERNAL INPUT. SOURCE SELECTOR SWITCH
4/9	CA-MXJ900/CA-MXJ950R MX-J900/MX-J950R	. FL DISPLAY. SYSTEM CONTROL LSI. USER CONTROL KEYS
5/9	CA-MXJ900	. MIC AMP. ECHO CIRCUIT (ONLY FOR U)
6/9	CA-MXJ900/CA-MXJ950R MX-J900/MX-J950R	. CD SERVO AND CD SYSTEM CONTROL . CD CHANGER MECHANISM CONTROL
7/9	CA-MXJ900/CA-MXJ950R MX-J900/MX-J950R	. TAPE DECK MECHANISM CONTROL . TAPE CIRCUITS SUCH AS PRE-AMP AND BIAS
8/9	CA-MXJ900/CA-MXJ950R	. TUNER RF/IF/FM MULTIPLEX (ONLY FOR B. E. EN)
9/9	CA-MXJ900 MX-J900	. TUNER RF/IF/FM MULTIPLEX (ONLY FOR C. J. U)

Hz

/220V/
V
Hz

Power amplifier & regulator section

FMH-027-1

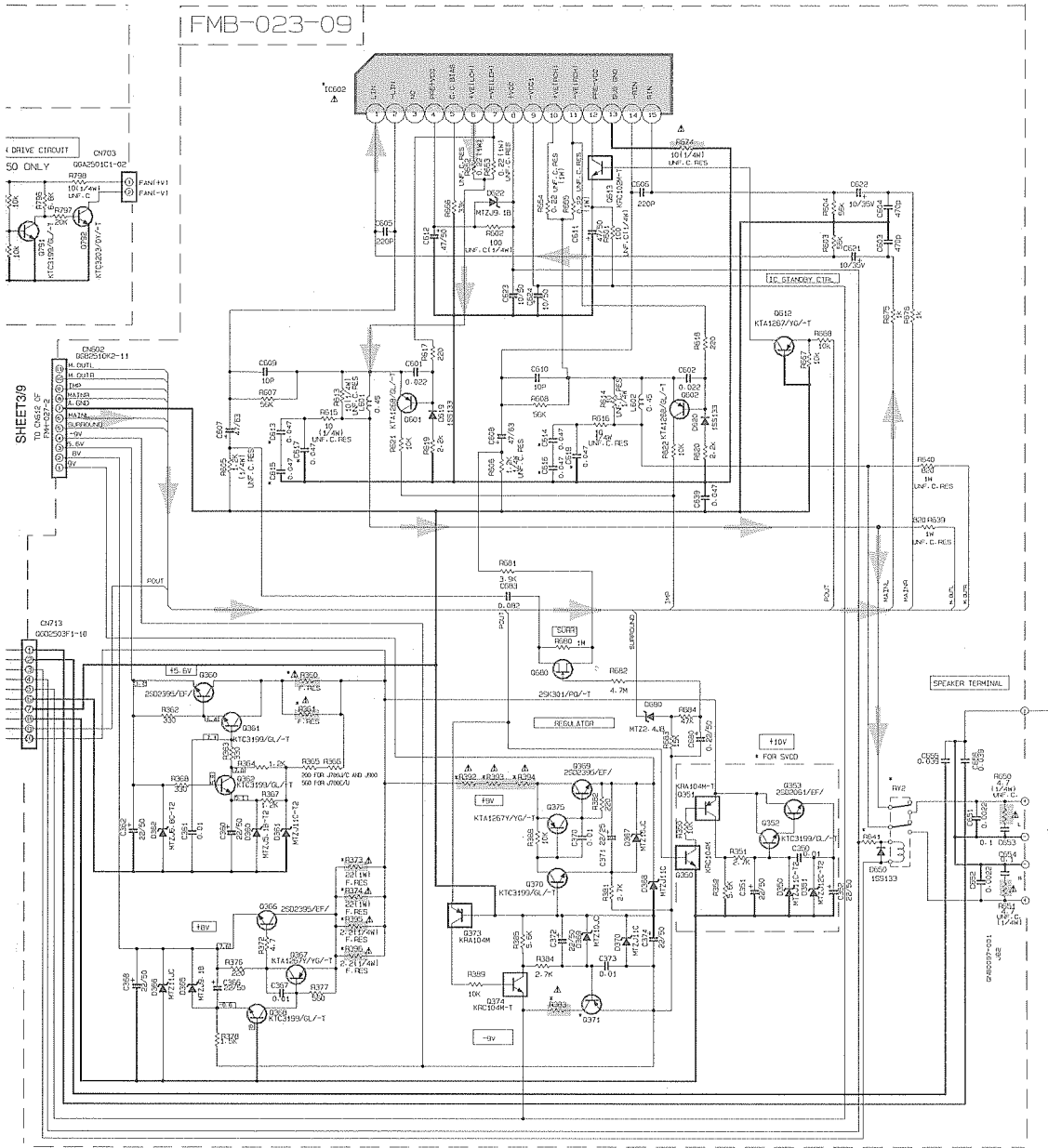


REF NAME	VERSION	CA-MXJ900	CA-MXJ950R	MX-J950	
		U	B-E-EN	J	C
L201		SHORT (B112)	SHORT (B112)	SHORT (B112)	SHORT (B112)
G371		RTA1023/0V/-1	RTA1023/0V/-1	2201274/R3/S	2201274/R3/S
B409		NONE	NONE	NONE	NONE
R303		SHORT (B64)	SHORT (B64)	1011/2W	SHORT (B64)
R305, R333, R394		SHORT (B1-02-03)	SHORT (B1-02-03)	4.71/4W F, RES	SHORT (B1-02-03)
C233		0.22	0.01	0.01	0.01
C513, C514, C515, C516 C713, C714, C715, C716		0.047	0.047	NONE	0.047
C517, C518, C717, C718		NONE	NONE	0.047	NONE
IC602		STK402-040	STK402-040	STK402-050	STK402-050
IC701		STK412-010	STK412-010	STK412-020	STK412-020
R757, D726		D726	D726	D726	D726
R71, R76		62K0057-001	62K0057-001	62K0057-001	62K0057-001
C204, C205		4700/53	4700/53	4700/53	4700/53
C214, C215		2200/35	2200/35	2200/50	2200/50
R355, R356		USED	USED	NONE	USED
R373, R374		NONE	NONE	USED	NONE
R708, R709		100K-10K	100K-10K	100K-10K	100K-10K
R350		2.211/4W F, RES	2.211/4W F, RES	1511/4W F, RES	2.211/4W F, RES
C735, C737		NONE	USED	NONE	USED
R701		5.6K	5.6K	5.6K	5.6K
R361		4.711/4W F, RES	4.711/4W F, RES	1511/4W F, RES	4.711/4W F, RES
R641, R720		15011/4W W, F, C	15011/4W W, F, C	47011/4W W, F, C	47011/4W W, F, C
C723		100/10	100/10	100/10	100/10
C709, C710		10P	4.7P	10P	10P

Parts are safety assurance parts. When replacing those parts make sure to use the specified.

5
4
3
2
1

FMB-023-09



- NOTES
1. VOLTAGES ARE DC-MEASURED WITH A DIGITAL VOLT METER OR EQUIVALENT, WITHOUT INPUT SIGNAL.
 DIRECTION — HIGH POSITIVE VOL. HIGH NEGATIVE OFF
 2. UNLESS OTHERWISE SPECIFIED
 RESISTORS ARE 1/4W 1% CARBON RESISTOR.
 ALL RESISTOR VALUES ARE IN OHMS.
 ALL CAPACITORS ARE CERAMIC CAPACITOR OR MYLAR CAPACITOR.
 ALL CAPACITANCE VALUES ARE IN nF(pF).
 ALL DIMENSIONAL VALUES ARE IN MILLIMETERS.
 ALL ELECTROLYTIC CAPACITORS ARE SPECIFIED IN THE FORM OF CAPACITANCE (µF)/RATED VOLTAGE (V).
 ALL DIMENSIONS ARE IN MILLIMETERS.

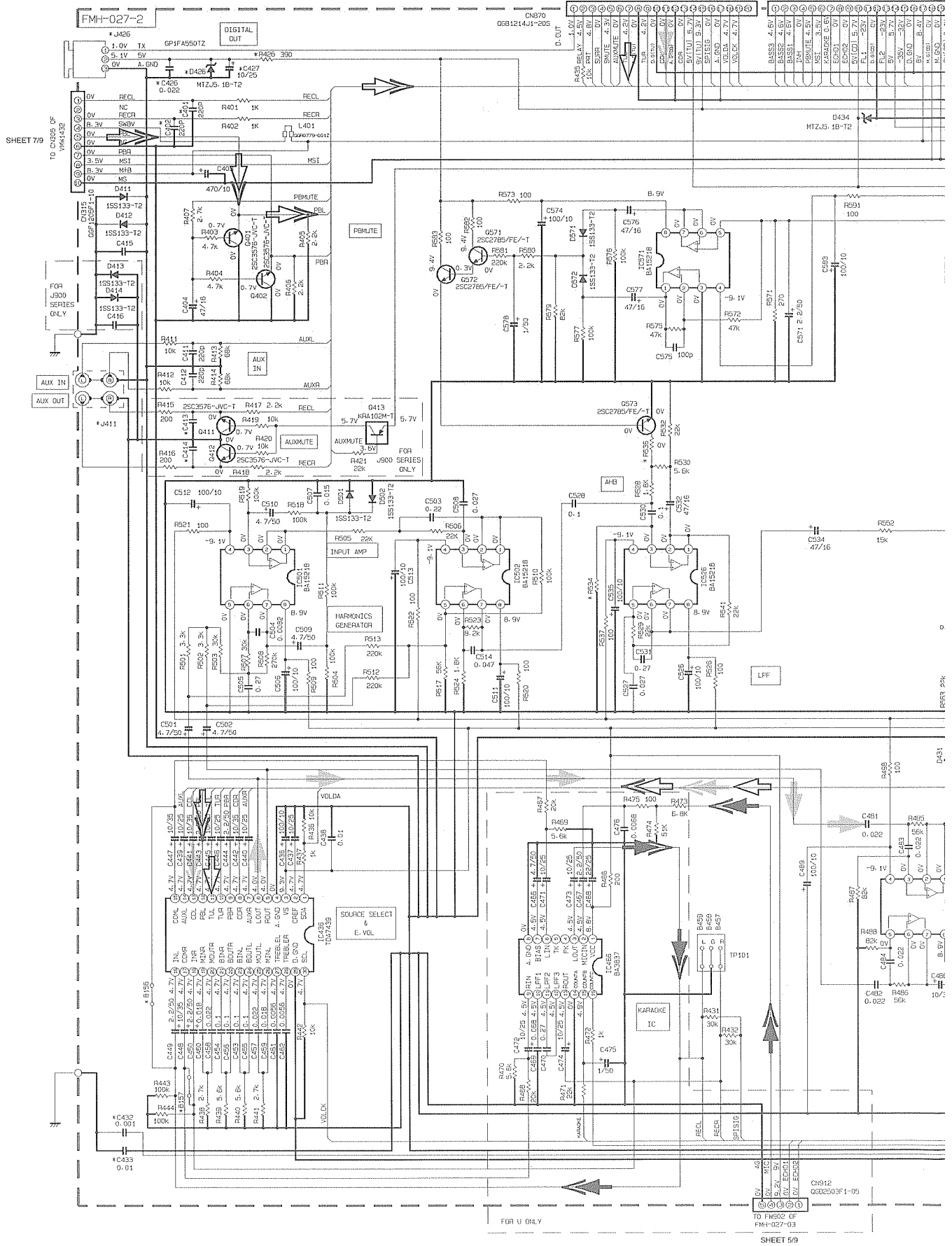
➔ MAIN signal

ts.
ake

Function & Main amplifier section

TO C850 OF
FM3-023-01 SHEET 4/9

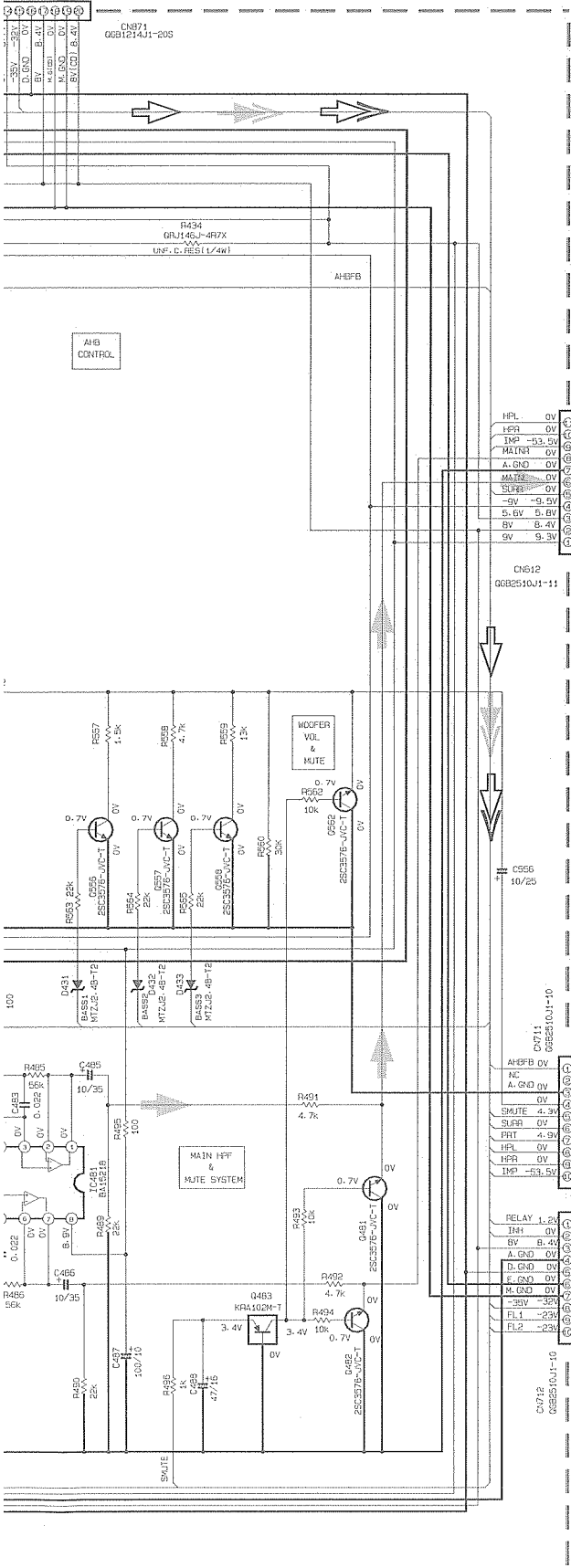
TO C851 OF
FM3-023-01 SHEET 4/9



FOR U 04.4

TO FW502 OF
FM1-027-03
SHEET 5/9

SHEET 4/9



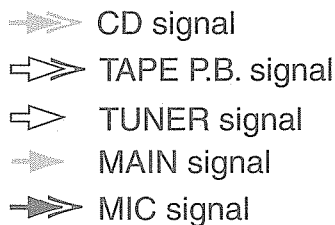
SHEET 2/9

SHEET 2/9

SHEET 2/9

* MARK

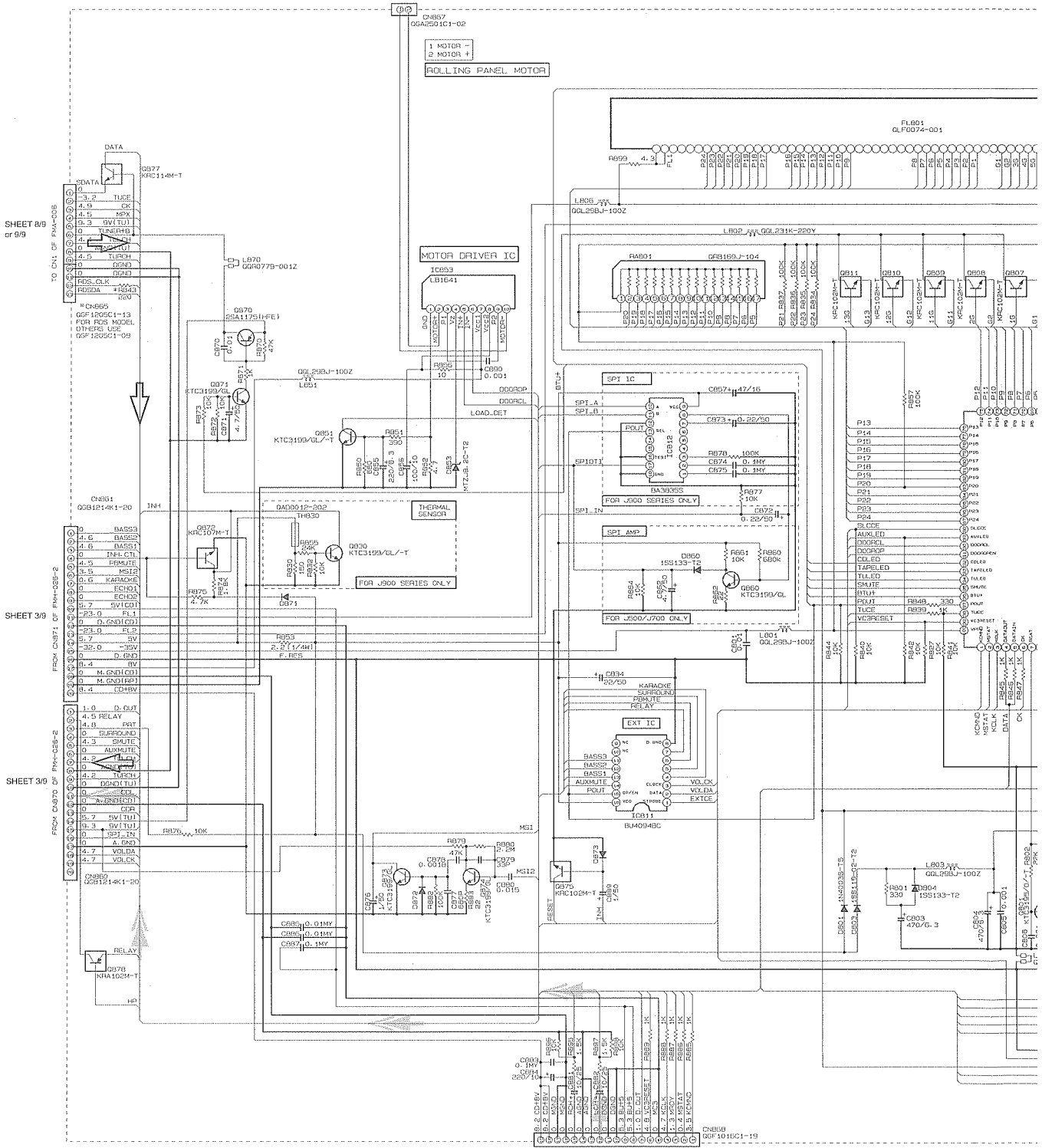
MODEL	CA-MXJ900	CA-MXJ950R	MX-J900
VERSION	U	B-E-EN	C-J
D426	USED	USED	USED
D427	USED	USED	USED
D428	USED	USED	USED
J426	USED	USED	USED
R426	USED	USED	USED
C401	NONE	USED	NONE
C402	NONE	USED	NONE
C415	1000p	0.0022	100p
C416	0.0022	0.0022	100p
C432	NONE	USED	NONE
C433	NONE	USED	NONE
L401	SHORT	USED	SHORT
B156	USED	NONE	NONE
B157	USED	NONE	NONE
C413	220p	0.001	220p
C414	220p	0.001	220p
J411	GROUND	001	
R534		220k	
R536		1k	



- NOTES
- VOLTAGES ARE DC-MEASURED WITH A DIGITAL VOLT METER OR OSCILLOSCOPE WITHOUT INPUT SIGNAL. CONDITION --- AIX MODE, VOL MIN, GLENDOFFER VOL. 1.
 - UNLESS OTHERWISE SPECIFIED
RESISTORS ARE 1/4W 5% CARBON RESISTOR.
ALL RESISTANCE VALUES ARE IN OHM.
ALL CAPACITORS ARE CERAMIC CAPACITOR OR MYLAR CAPACITOR.
ALL CAPACITANCE VALUES ARE IN pF(p-p).
ALL INDUCTANCE VALUES ARE IN mH(mH).
ALL E-CAPACITORS ARE SHOWN IN THE FORM OF CAPACITANCE (pF)/RATED VOLTAGE (V).
ALL DIMENSIONS ARE 155139.

SHEET 3/9

FL Display & system controller section



* MARK :

	CA-MX-J500 U	MX-J500 C-J	CA-MX-J500R B-E-EN
R864	10K	10K	10K
R861	75K	75K	330K
R893	75K	75K	75K
R894	330K	75K	330K
D893, D892, C891, D891	SLA-576JT3F	SLA-576JT3F	SLA-576JT3F
C892, C894, C893, D893	SLA-576JT3F	SLA-576JT3F	SLA-576JT3F
R890, R897, R898, R899	75	75	75
C890, C891	KRC1024-T	KRC1024-T	KRC1024-T
S841, S842, S843, S844	NONE	NONE	GSND325-001Z
L1001, L1002	SHRT	SHRT	GL-231K-470Y
C1001, C1002	NONE	NONE	7800
L1003	GL-231K-220Y	GL-231K-220Y	GG0779-001Z
R825, R836	USE	USE	USE
R843	NONE	NONE	USE
X801	QAX0283-001Z	QAX0283-001Z	QAX0283-001Z

TO C8867 OF EMH10729
(LED CHANGER)
SHEET 6/9

5

4

3

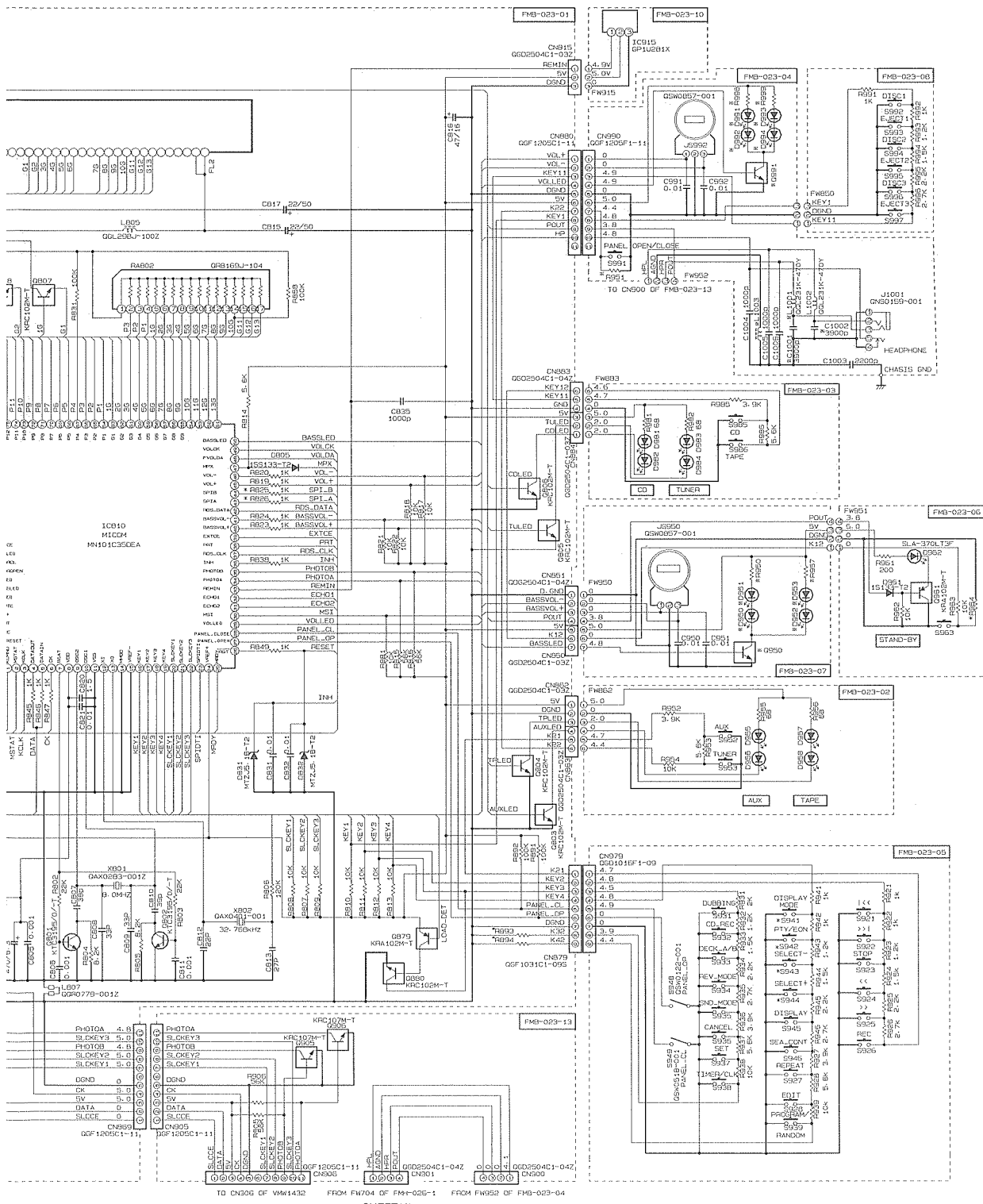
2

1

SHEET 8/9
or 9/9

SHEET 3/9

SHEET 3/0



TO CN305 OF VM1432 FROM FW704 OF FMB-026-1 FROM FW952 OF FMB-023-04

SHEET2/9

SHEET2/9

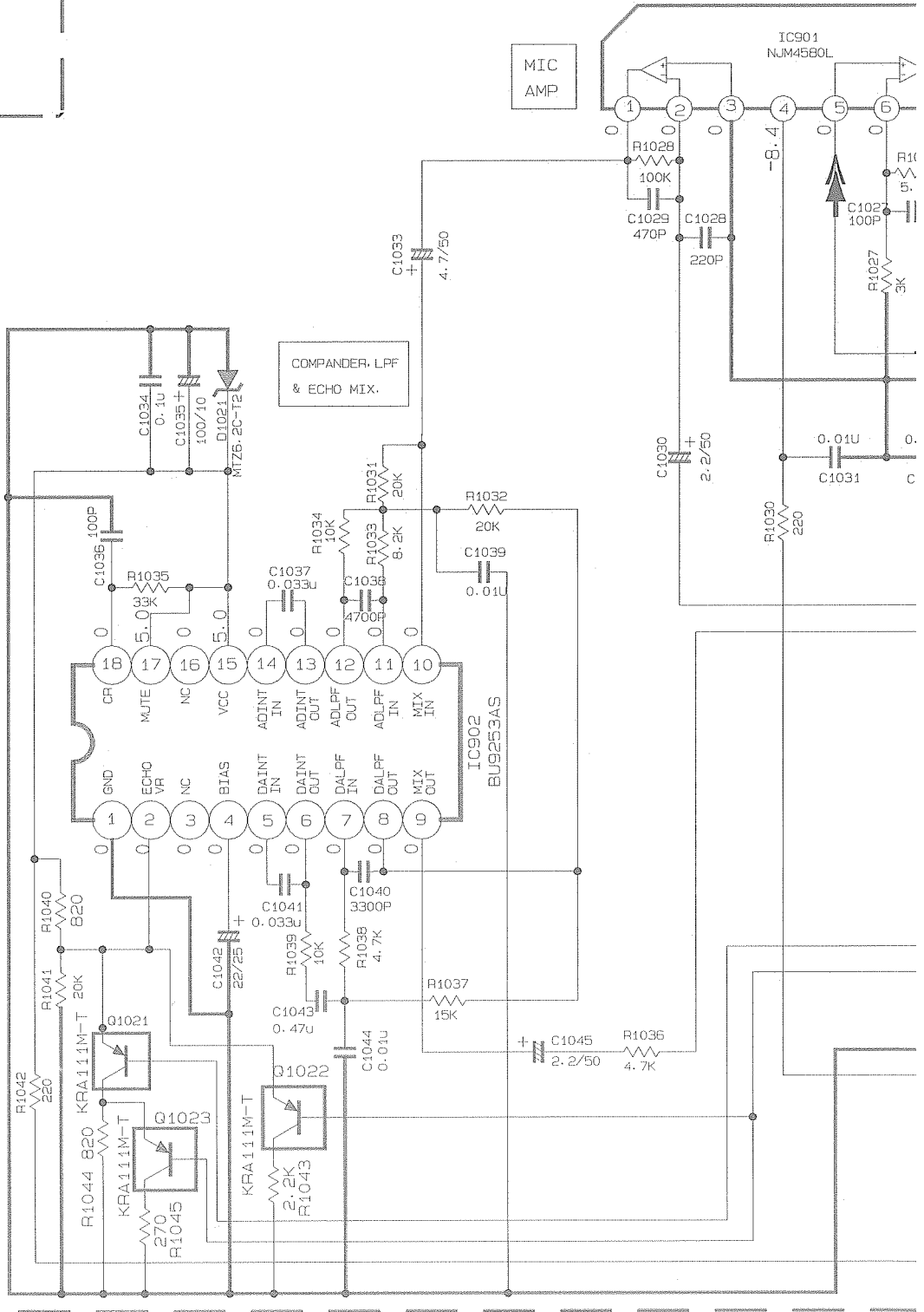
NOTES

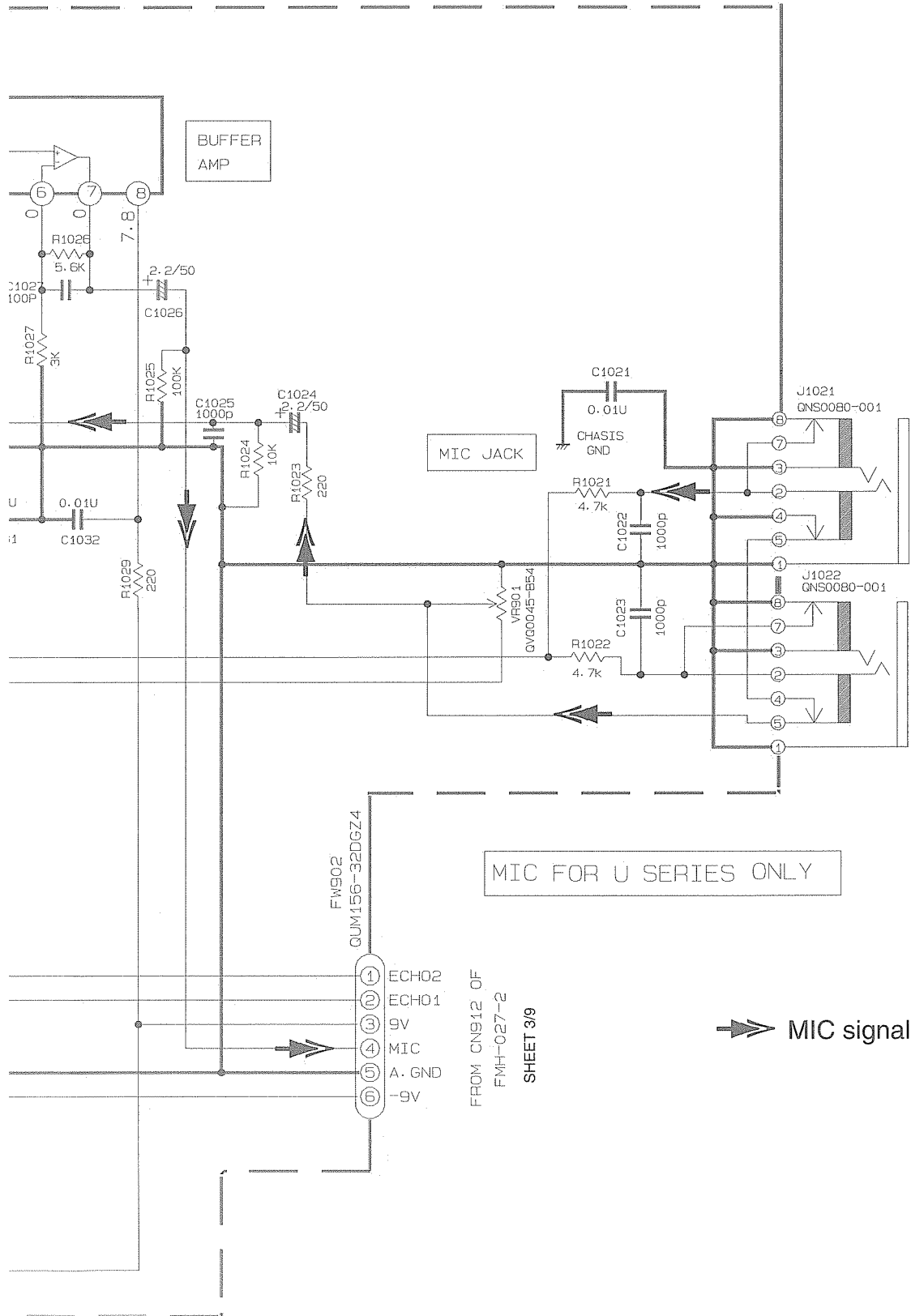
- 1- VOLTAGES ARE DC-MEASURED WITH A DIGITAL VOLT METER IN OSCILLOSCOPE WITHOUT INPUT SIGNAL.
CONDITION --- AUX MODE VOL. MTR. BASS OFF
- 2- UNLESS OTHERWISE SPECIFIED
RESISTORS ARE 1/4W ±5% CARBON RESISTOR
ALL RESISTANCE VALUES ARE IN OHMS
ALL CAPACITORS ARE CERAMIC CAPACITORS UNLESS OTHERWISE SPECIFIED
ALL CAPACITANCE VALUES ARE IN PICO-FARADS (PF)
ALL CAPACITORS ARE SHOWN IN THE FORM OF CAPACITANCE (UNPRINTED VOLTAGE (V))
ALL DIMENSIONS ARE IN MILLIMETERS



■ Microphone amplifier section

FMH-027-3





■ CD Servo & CD Mechanism control section

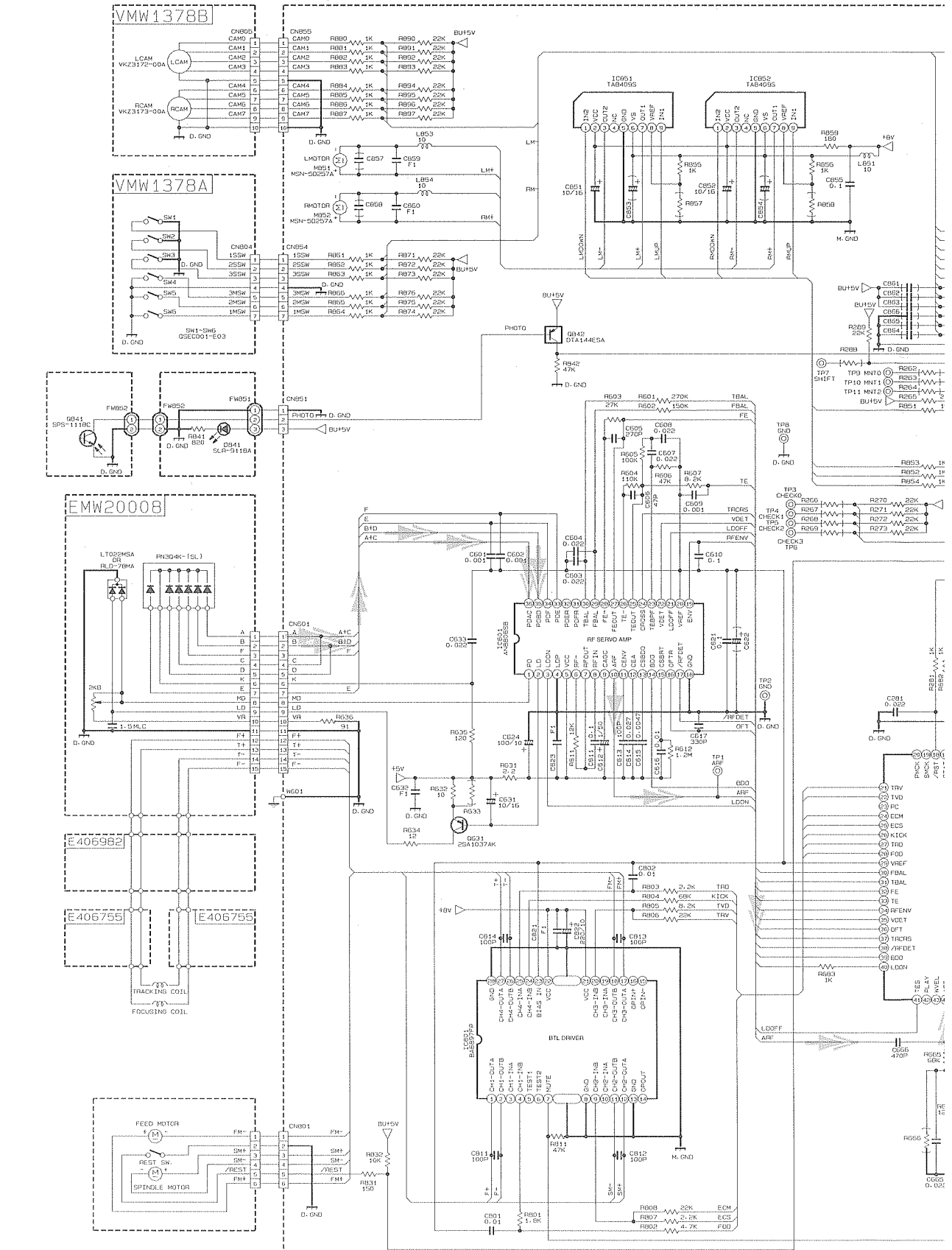
5

4

3

2

1



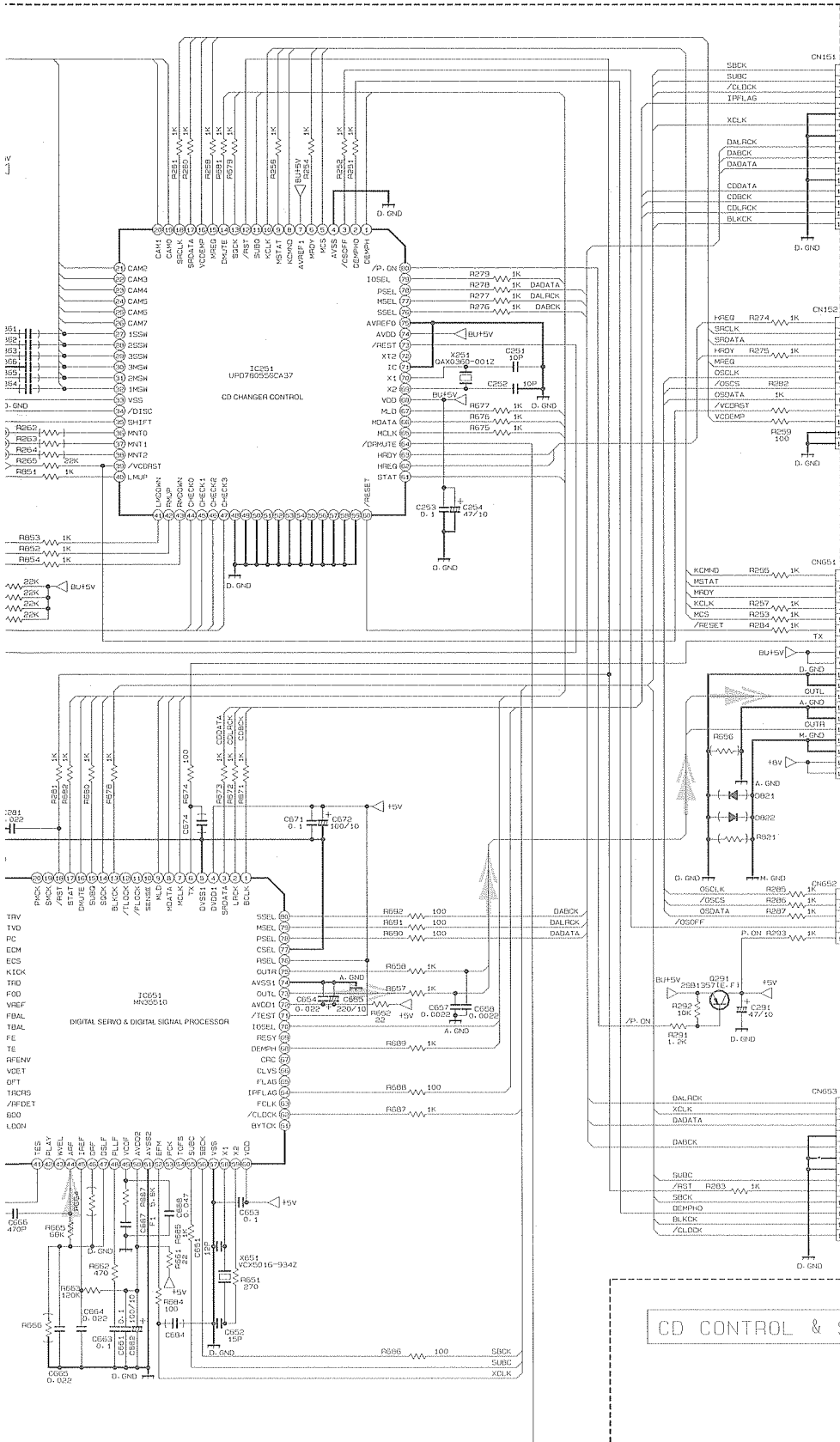
A

B

C

2-56

D



FROM CN55
OF FR6-023-01

SHEET 4/9

CD signal

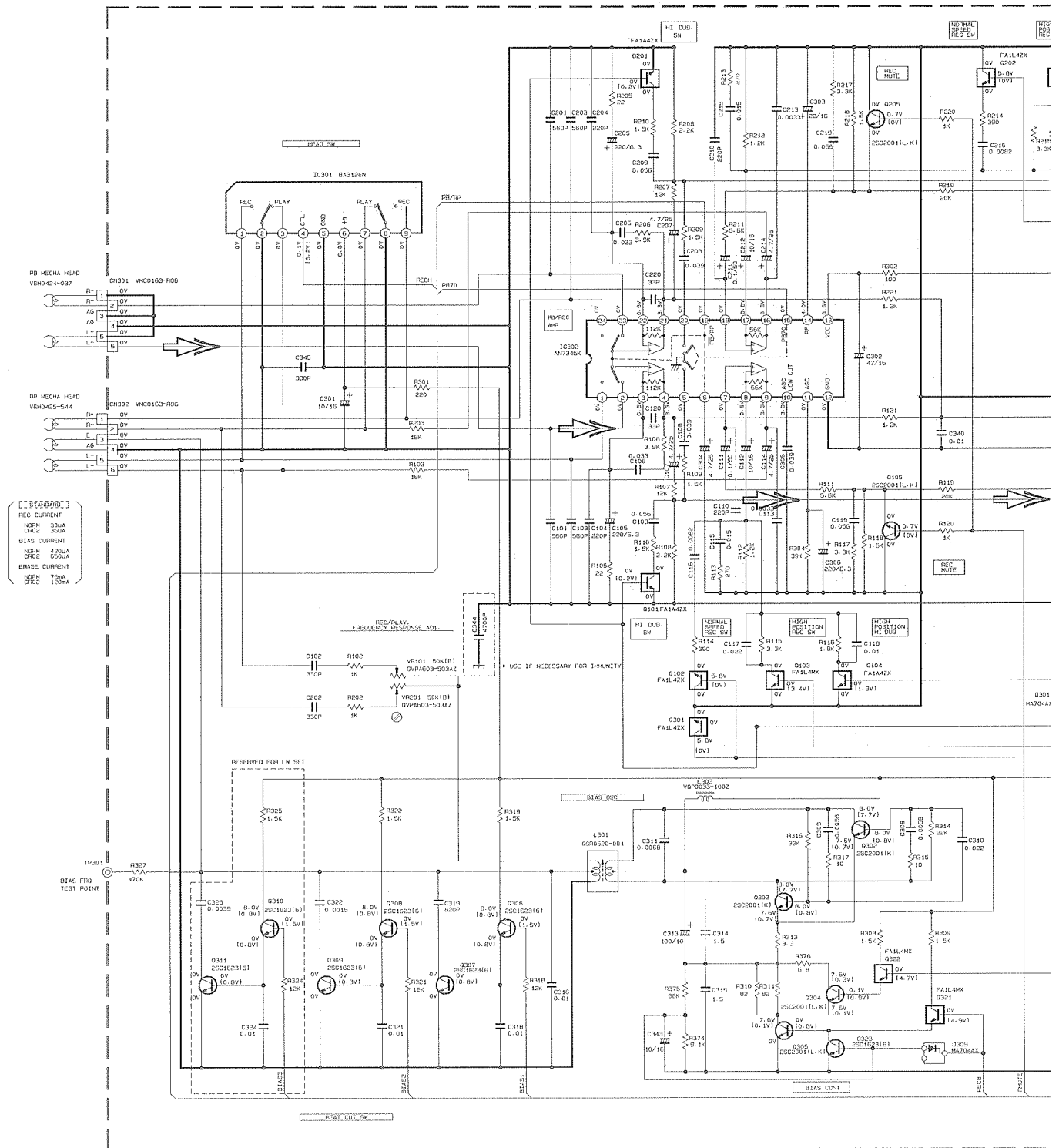
CD CONTROL & SERVO CIRCUIT

SHEET 6/9

EMW10729

D | E | F | G | H

Head amplifier & Mechanism control section



- REC CURRENT 300A
- CH2 300A
- BIAS CURRENT 4000A
- CH2 5500A
- EMERGENCY CURRENT 750A
- CH2 1200A

NOTES

1. VOLTAGES ARE DC-MEASURED WITH A DIGITAL VOLT METER OR OSCILLOSCOPE WITHOUT INPUT SIGNAL. () IS INVERT MODE
2. UNLESS OTHERWISE SPECIFIED ALL RESISTANCE VALUES ARE IN Ω (Ω).
- ALL CAPACITORS ARE CERAMIC CAPACITOR
- ALL CAPACITANCE VALUES ARE IN μ F(μ F).
- ALL INDUCTANCE VALUES ARE IN μ H(μ H).
- ALL μ F CAPACITORS ARE SHOWN IN THE FORM OF CAPACITANCE (μ F)/RATED VOLTAGE (V).
- \square POLYPROPYLENE CAPACITOR

TABLE 1- DIGITAL TR LIST

PART-NO	CONSTRUCTION	REF. NO		
FA14M		Q316	FA14M	Q317
FA14Z		Q101/Q201 Q104/Q204	FA14Z	Q103/Q203 Q319 Q300/Q321/Q302
FA14Z		Q102/Q202 Q301		

5

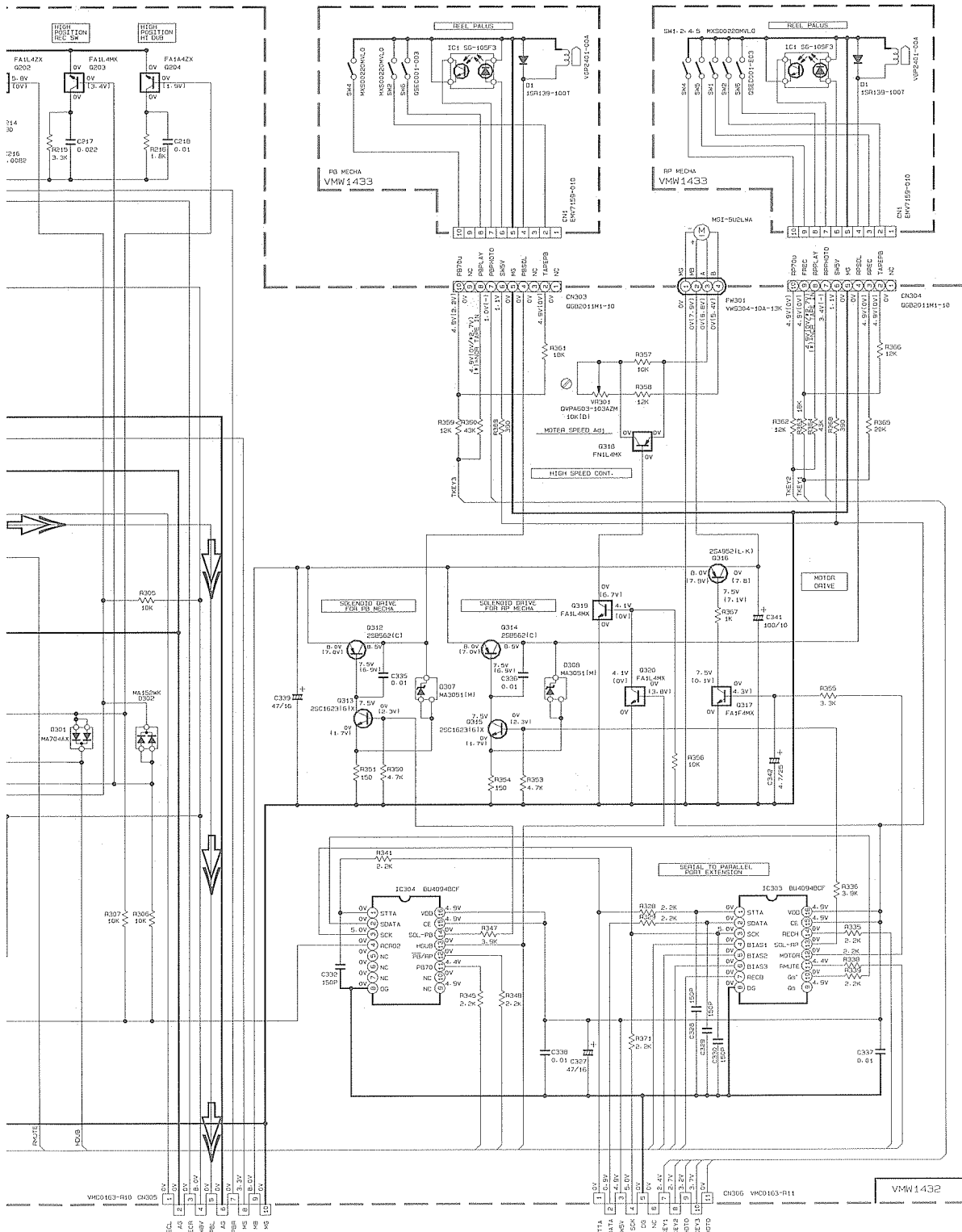
4

3

2

1

CASSETTE MECHA CONTROL CIRCUIT [SLC]



FROM PRE-AMP CIRCUIT

FROM CN315 OF FM4-027-2

SHEET 3/9

FROM MICDN CIRCUIT

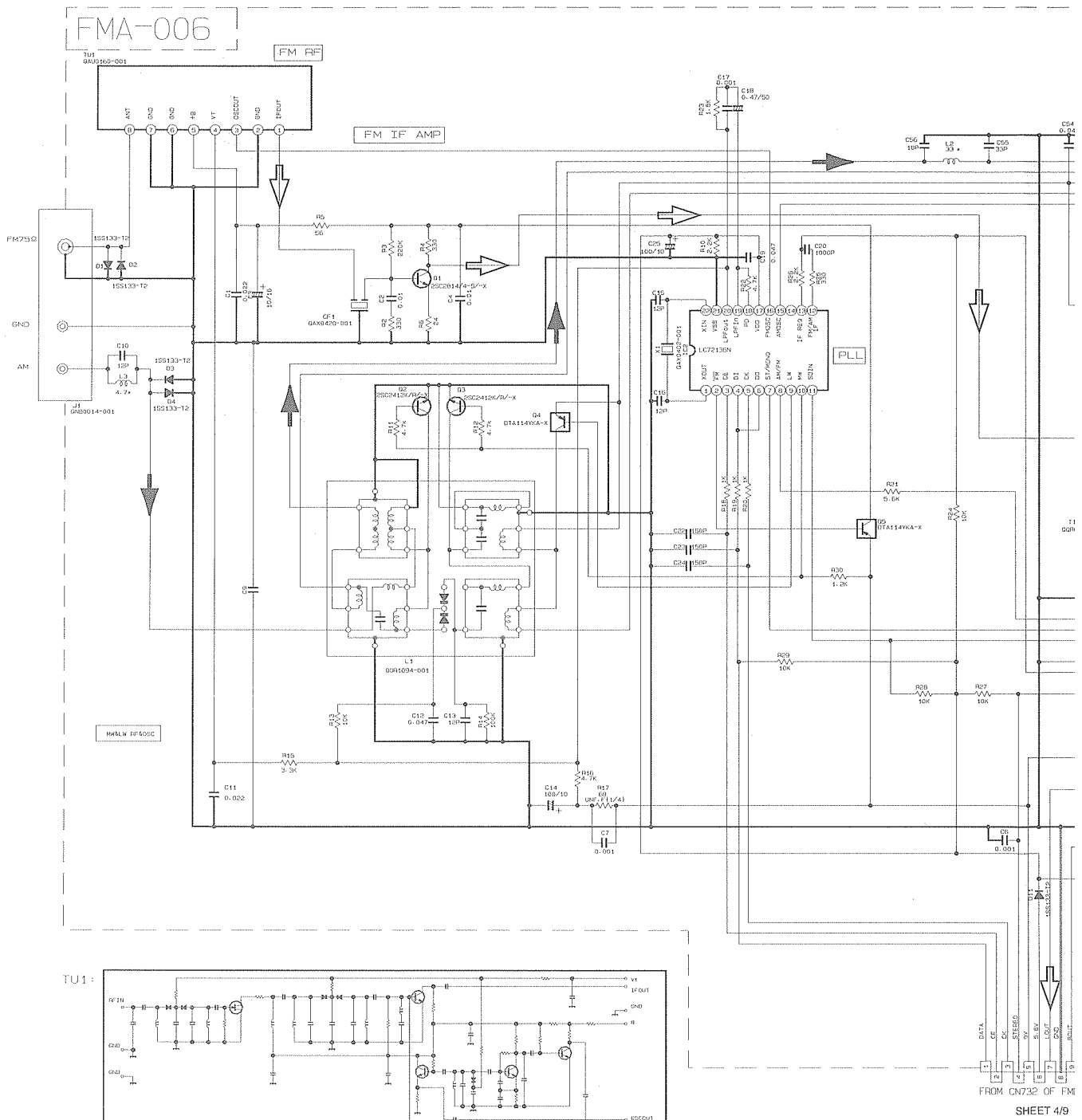
FROM CN369 OF FMB-023-01

SHEET 4/9

➡ TAPE P.B. signal

SHEET 7/9

■ Tuner section (Only Ver B. E. EN)

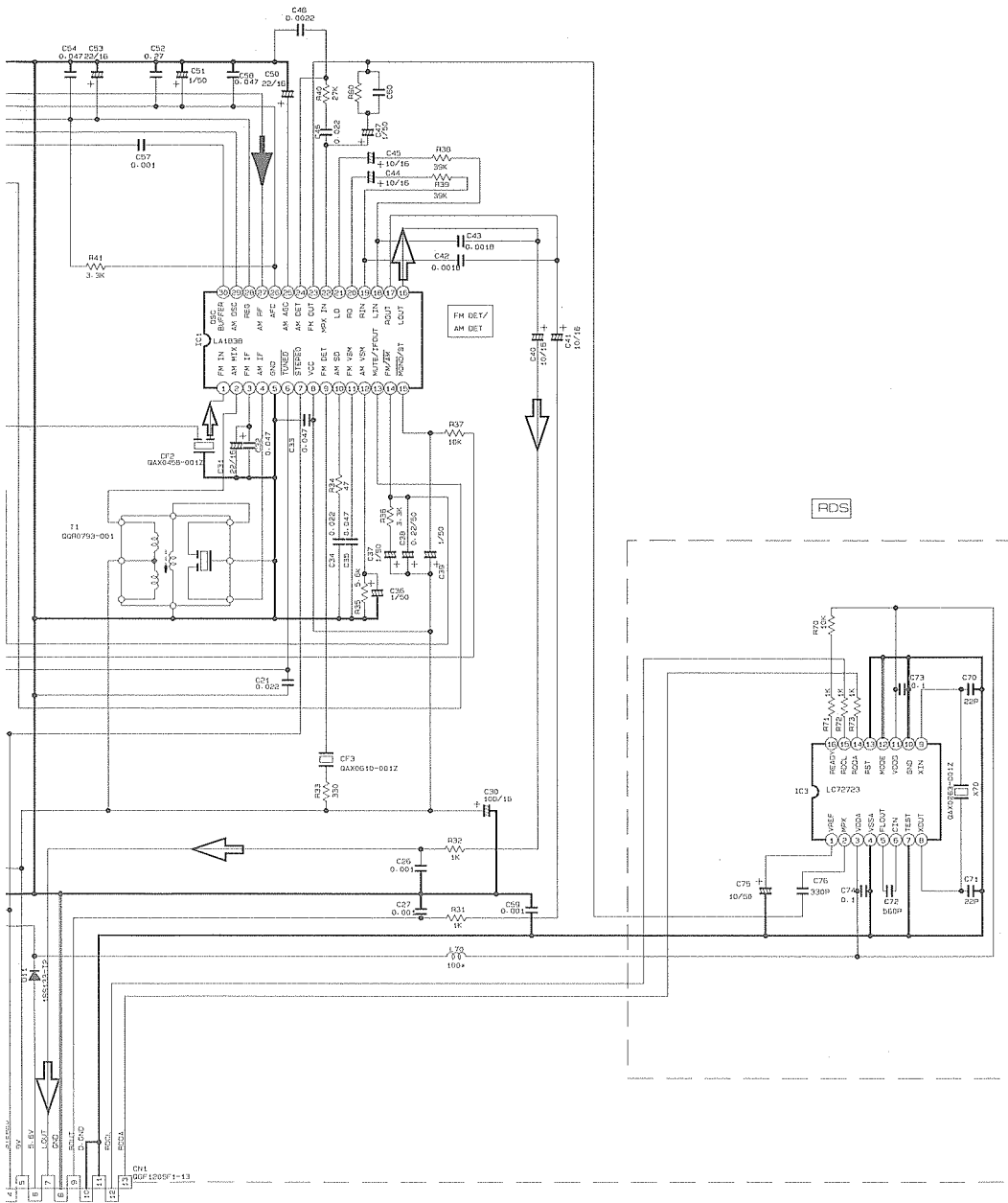
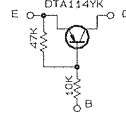


CONDITION	PIN NO.	1	2	3	4	5	6	7	8	9	10	11	12	13	14	15	16	17	18	19	20	21	22	23	24	25	26	27	28	29	30
IC1	FM NO SIGNAL	3.6	8.9	3.6	3.6	0	5.0	5.0	8.9	8.9	1.3	0.1	0	0.9	7.8	7.8	4.3	4.3	4.3	4.3	3.4	3.4	2.6	3.4	0	0	3.5	3.5	3.6	3.6	2.7
	FM GOOD STEREO	3.6	8.9	3.5	3.6	0	5.0	5.9	8.9	1.3	4.3	0	0.9	7.8	7.8	4.3	4.3	4.3	4.3	3.4	3.4	2.8	3.4	0	0	3.6	3.6	3.6	3.6	2.7	
	AM NO SIGNAL	3.5	9.0	3.5	3.5	0	5.0	5.1	9.0	2.6	1.3	0	0	0.9	4.7	5.5	4.3	4.3	4.3	4.3	3.3	3.2	2.8	ust	0.7	0.7	3.6	3.6	3.6	3.6	2.1
IC2	FM NO SIGNAL	2.5	0	0	5.0	4.9	5.0	7.9	7.8	3.6	8.1	5.1	0	0	0	2.5	5.1	0.9	0.9	3.8	0	2.3									

NOTES

1. VOLTAGES ARE DC-MEASURED WITH A DIGITAL VOLT METER.
2. ALL RESISTORS ARE 1/8W ±5% METAL GLAZE RESISTOR.
3. ALL RESISTANCE VALUES ARE IN OHMS(Ω).
4. ALL CAPASITANCE VALUES ARE IN nF (p=PF).
5. ALL E-CAPASITORS ARE SHOWN IN THE FORM OF CAPASITANCE (nF)/RATED VOLTAGE (V).
6. SI DIODES (▷) ARE ALL 1SS133-T THAT CAN BE CHANGED TO SIMILAR DIODE SUCH AS MA165 OR HSS104J.
7. PARTS NO. OF TRANSISTORS ARE AS FOLLOWS.
 Q1 2SC2B14/4-5/-X Q2-Q3 2SC2412K/R/-X
 Q4-Q5 DTA114YKA-X

8. INSIDE OF DIGITAL TRANSISTORS ARE SHOWN AS FOLLOWS.



N732 OF FM3-012-1

SHEET 4/9

30
2.7
2.7
3.1

Tr. NO.	Q1			Q5					
PIN NO.	E	C	B	E	C	B			
FM 87.5MHz NO SIGNAL	0	7.1	0.85	B.9	B.9	0			
AM 520kHz NO SIGNAL	0	0	0.9	0	0	0.8			
Tr. NO.	Q2			Q3			Q4		
PIN NO.	E	C	B	E	C	B	E	C	B
AM 520kHz NO SIGNAL	0	0	0.7	0	0	0.7	0	3.6	0.7
AM 144kHz NO SIGNAL	0	0	0.3	0	0.3	0.3	3.6	3.6	3.6



SHEET 8/9

■ Tuner section (Only Ver J. C. U)

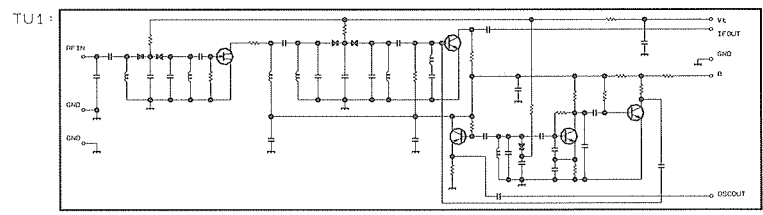
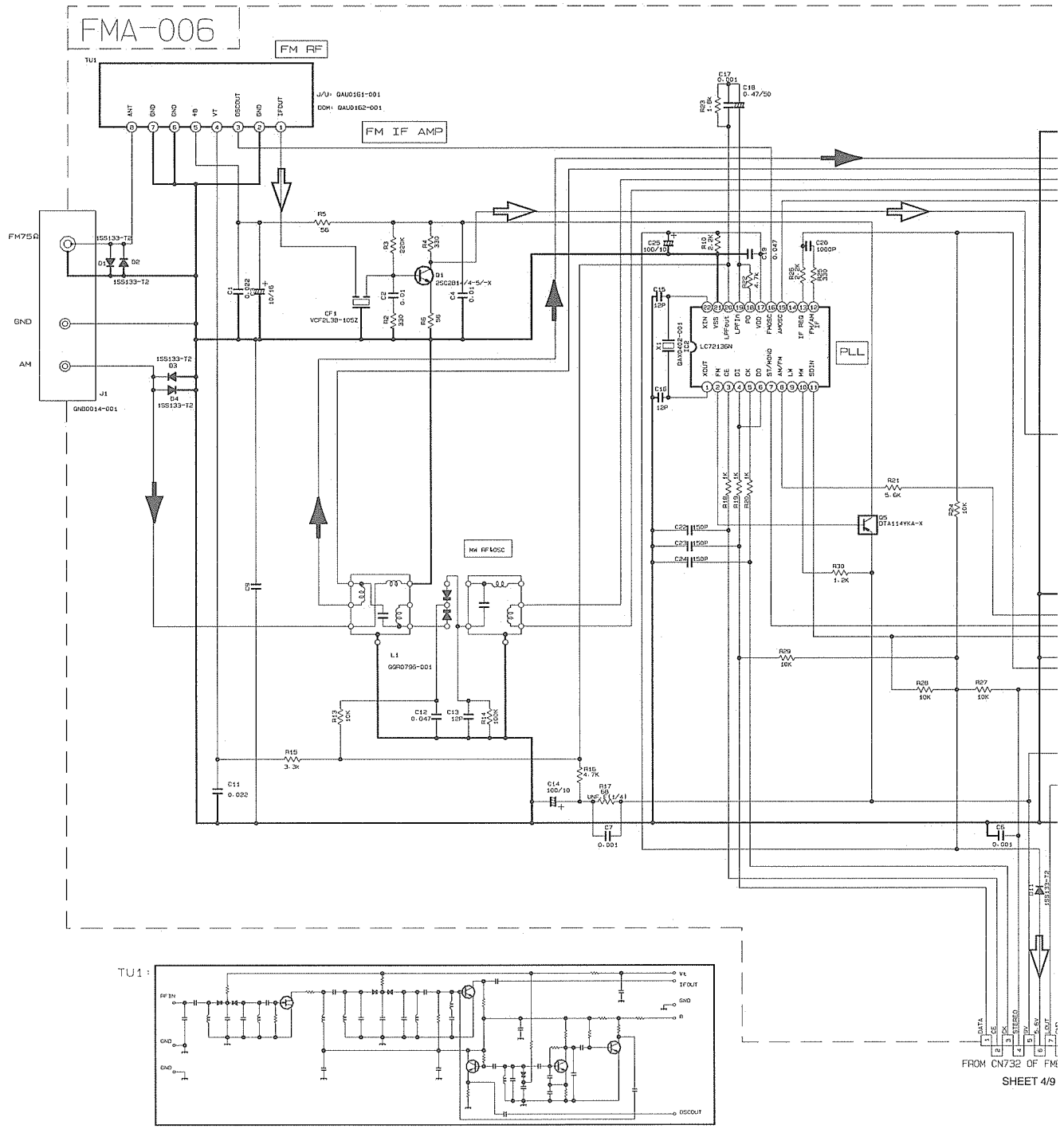
5

4

3

2

1



	CONDITION	PIN NO.	1	2	3	4	5	6	7	8	9	10	11	12	13	14	15	16	17	18	19	20	21	22	23	24	25	26	27	28	29	
IC1	FM NO SIGNAL		3.6	8.9	3.6	3.6	0	5.0	5.0	8.9	8.9	1.3	0.1	0	0.9	7.8	7.8	4.3	4.3	4.3	4.3	3.4	3.4	2.8	3.4	0	0	3.5	3.5	3.6	3.6	
	FM 60dB STEREO		3.6	8.9	3.6	3.6	0	5.0	5.0	8.9	8.9	1.3	4.3	0	0.9	7.8	7.8	4.3	4.3	4.3	4.3	3.4	3.4	2.8	3.4	0	0	3.6	3.6	3.6	3.6	
	AM NO SIGNAL		3.5	9.0	3.5	3.5	0	5.0	5.1	9.0	9.0	2.6	1.3	0	0	0.9	4.7	5.5	4.3	4.3	4.3	4.9	3.3	3.2	2.8	ust	0.7	0.7	3.6	3.6	3.6	3.6
IC2	FM NO SIGNAL		2.5	0	0	5.0	4.9	5.0	7.9	7.8	3.6	5.1	5.1	0	0	0	0	2.5	5.1	0.9	0.9	3.8	0	2.3								

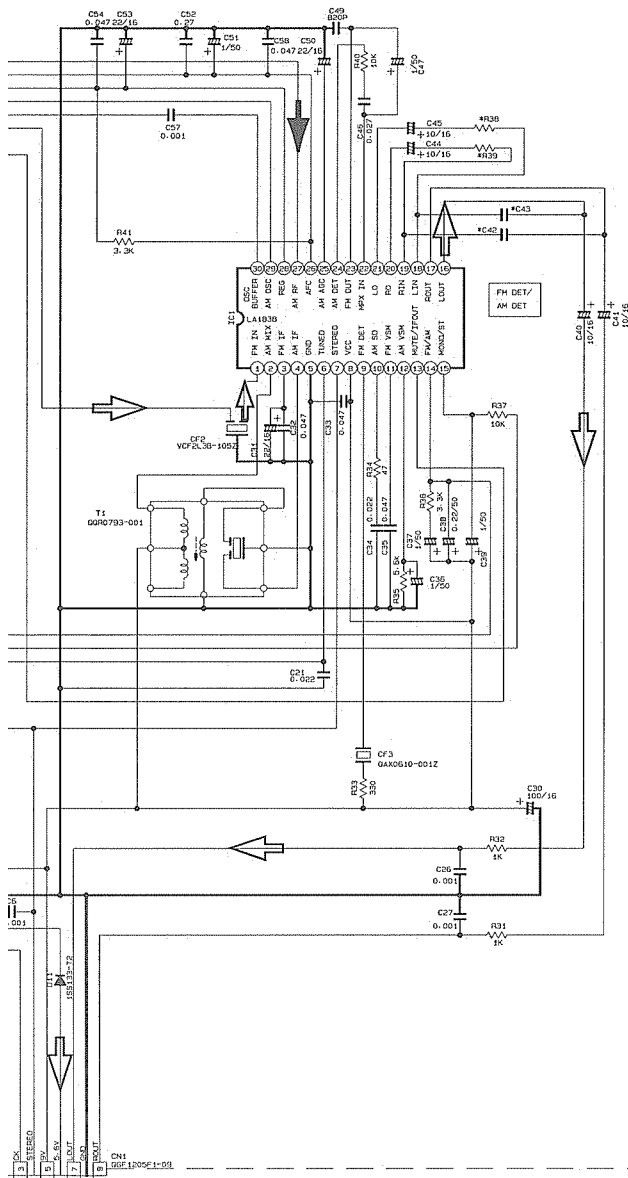
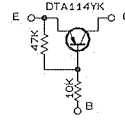
FROM CN732 OF FM SHEET 4/9

A | B | C | D

NOTES

1. VOLTAGES ARE DC-MEASURED WITH A DIGITAL VOLT METER.
2. ALL RESISTORS ARE 1/8W ±5% METAL GLAZE RESISTOR.
3. ALL RESISTANCE VALUES ARE IN OHM(Ω).
4. ALL CAPACITANCE VALUES ARE IN #F(P=PF).
5. ALL E. CAPACITORS ARE SHOWN IN THE FORM OF CAPACITANCE (PF)/RATED VOLTAGE (V).
6. SI DIODES (▷) ARE ALL 1SS133-T THAT CAN BE CHANGED TO SIMILAR DIODE SUCH AS MA165 OR HSS104J.
7. PARTS NO. OF TRANSISTORS ARE AS FOLLOWS.
 Q1 2SC2814/4-5/-X Q2-Q3 2SC2412K/R/-X
 Q4-Q5 DTA114YK-X

B. INSIDE OF DIGITAL TRANSISTORS ARE SHOWN AS FOLLOWS:



	VERSION	
	J/C	U/D04
R38	623	623
R39	623	623
C42	0.0022	0.0015
C43	0.0022	0.0015

N732 OF FMD-012-1
SHEET 4/9

28	29	30
3-6	3-6	2-7
3-6	3-6	2-7
3-6	3-6	2-1

Tr. NO.	Q1			Q5					
PIN NO.	E	C	B	E	C	B			
FM 87.5MHz NO SIGNAL	0	7.1	0.95	8-9	8-8	0			
AM 522KHz NO SIGNAL	0	0	0	9-0	0	8-9			
Tr. NO.	Q2			Q3			Q4		
PIN NO.	E	C	B	E	C	B	E	C	B
AM 522KHz NO SIGNAL	0	0	0.7	0	0	0.7	0	3-6	0.7
AM 144KHz NO SIGNAL	0	0	0.3	0	0.3	0.3	3-6	3-6	3-6

↔ FM/TUNER signal
 ▶ AM signal

Printed circuit boards

■ Main & preamplifier board

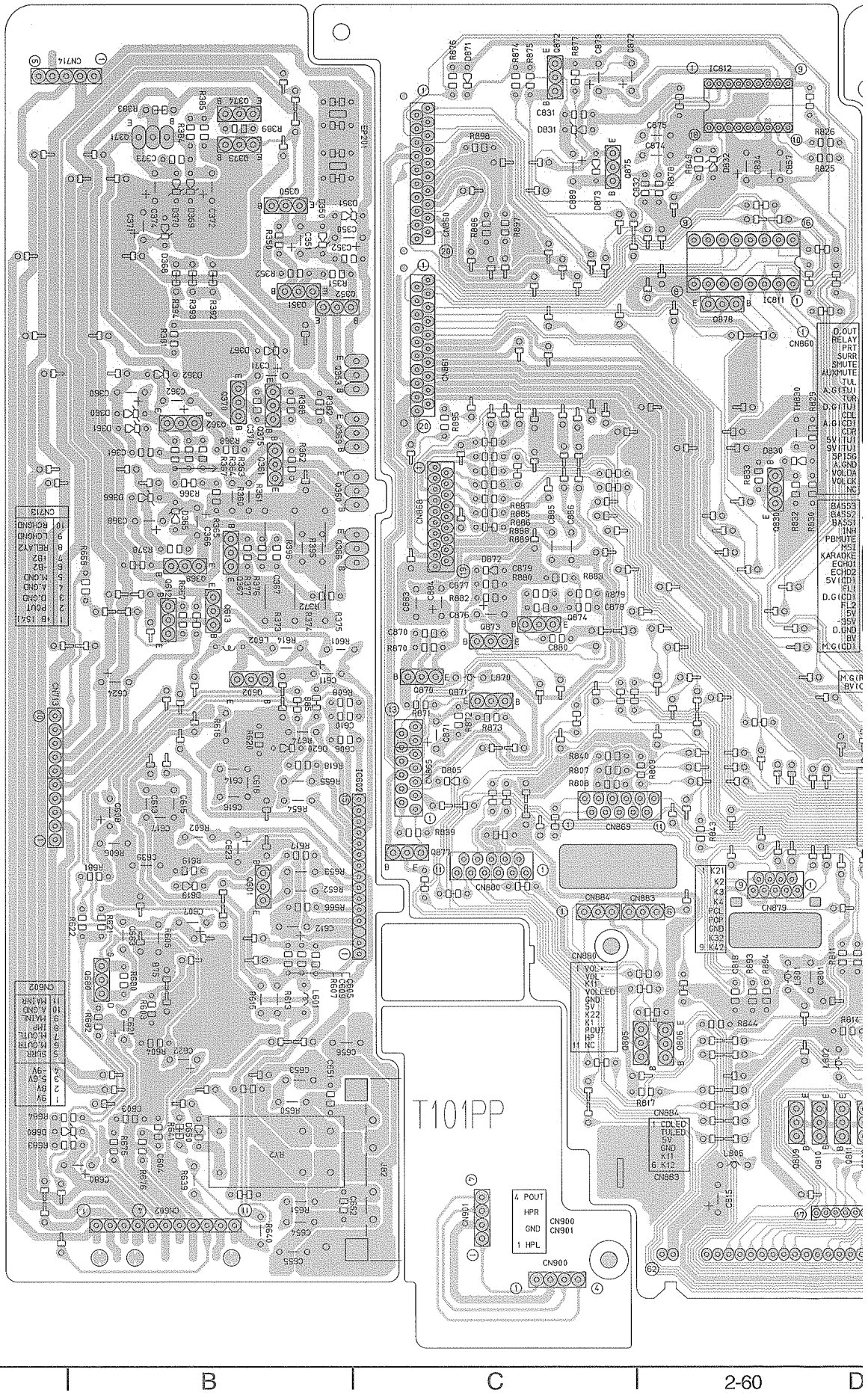
5

4

3

2

1



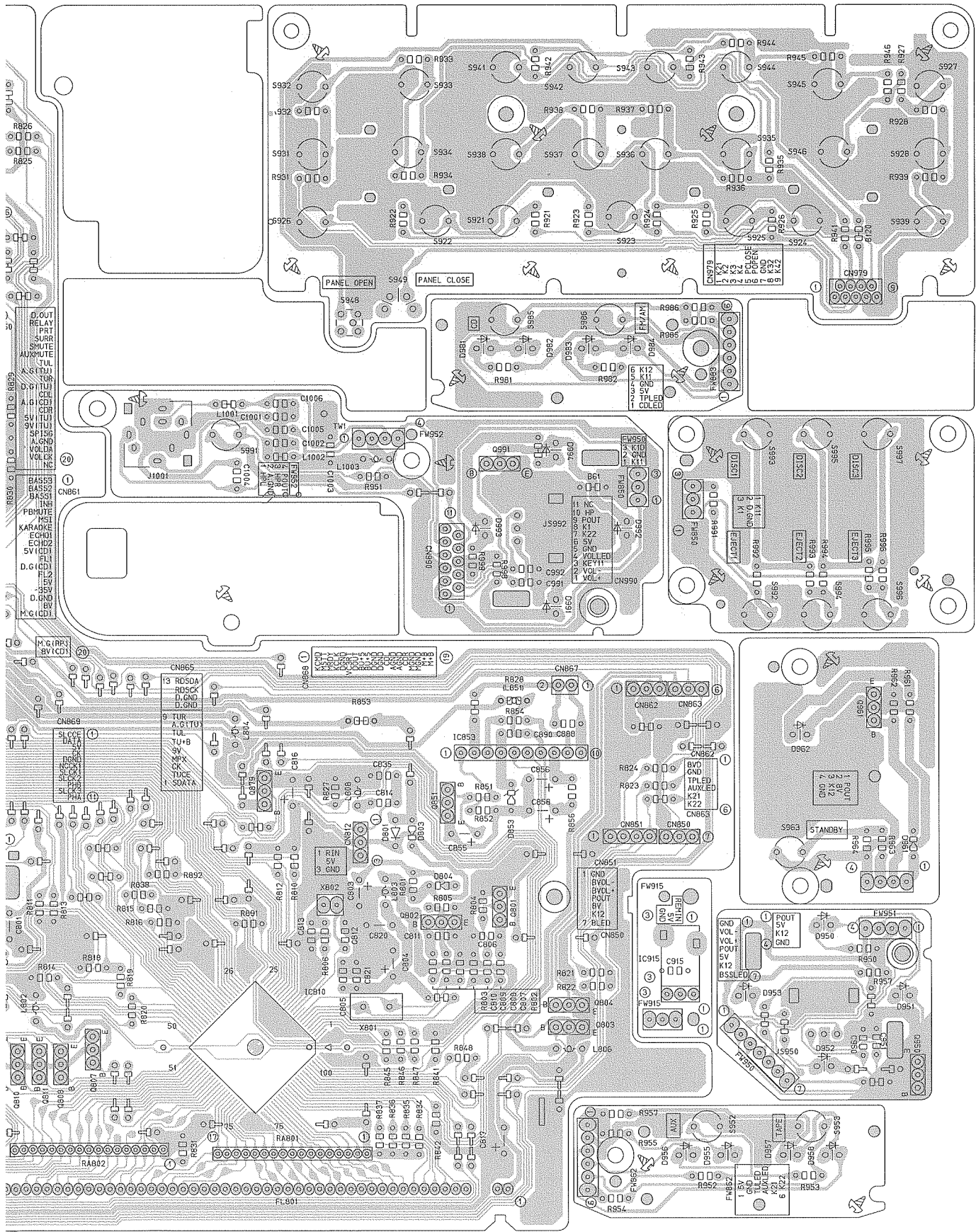
A

B

C

2-60

D



D | E | F | G | H

■ Input/output & power board

5

4

3

2

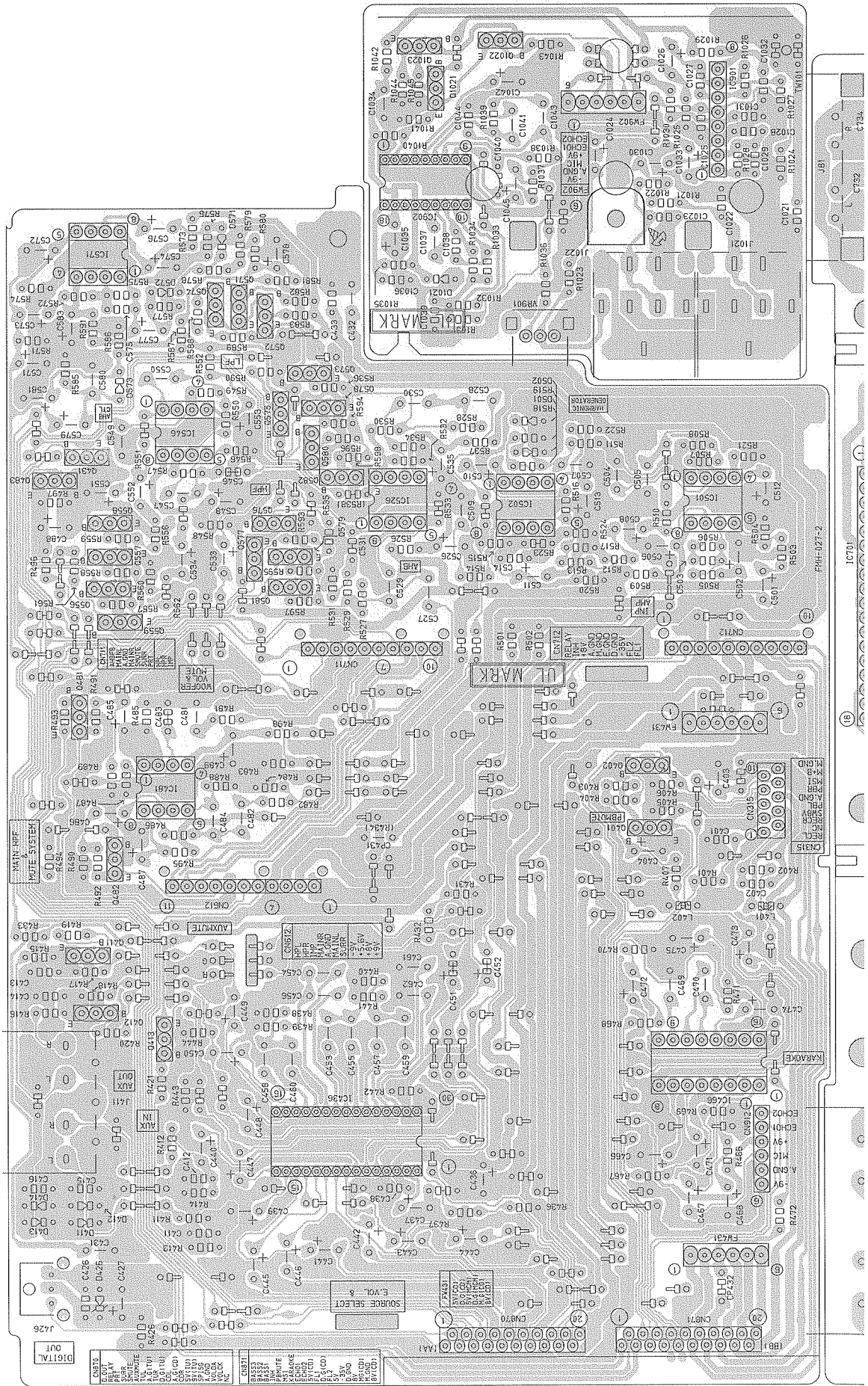
1

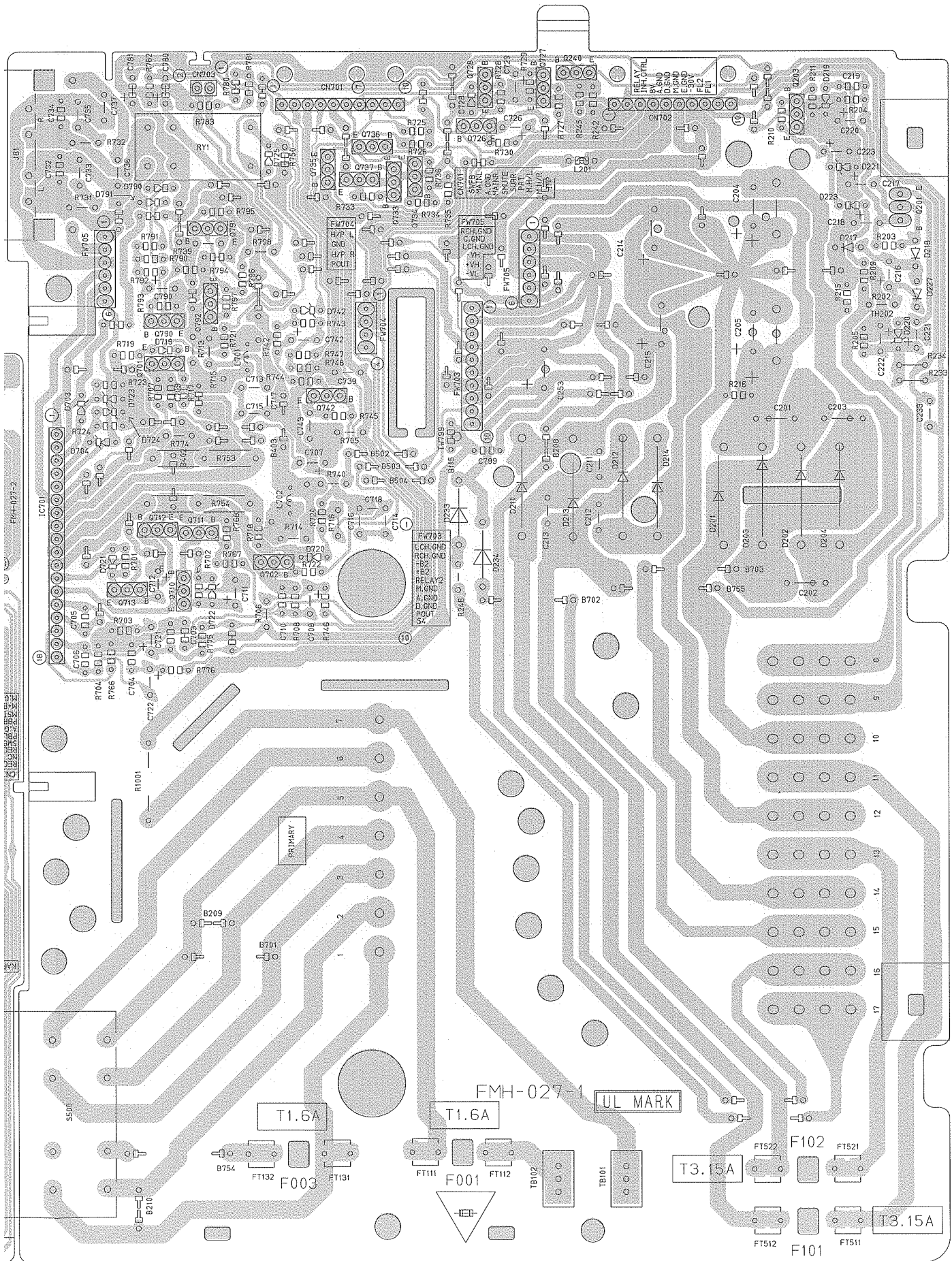
A

B

C

D



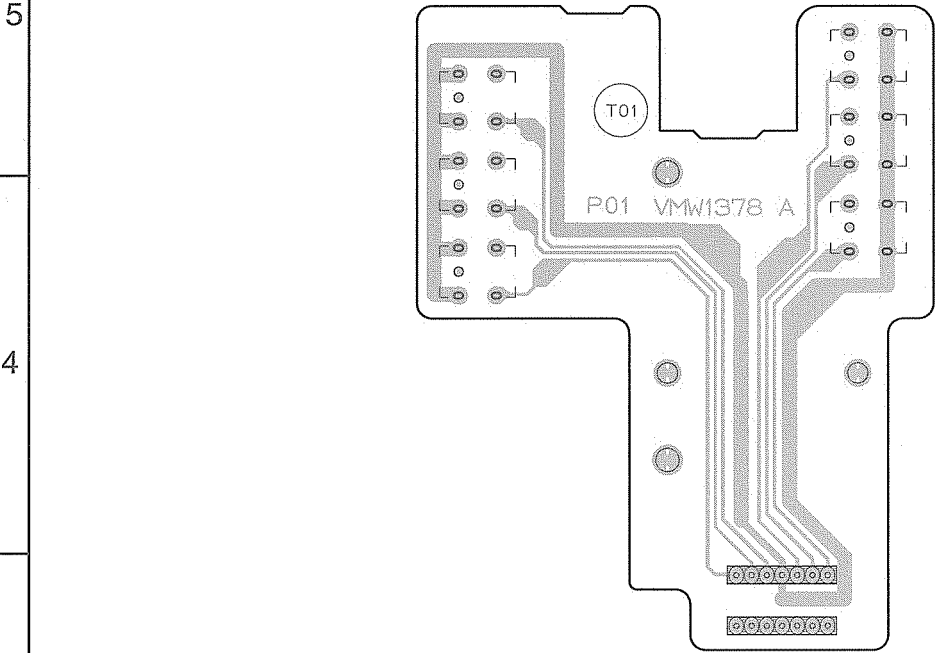


E

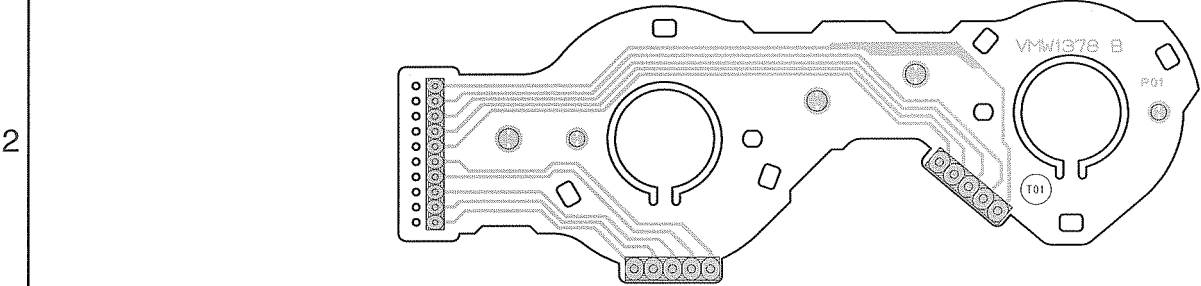
F

G

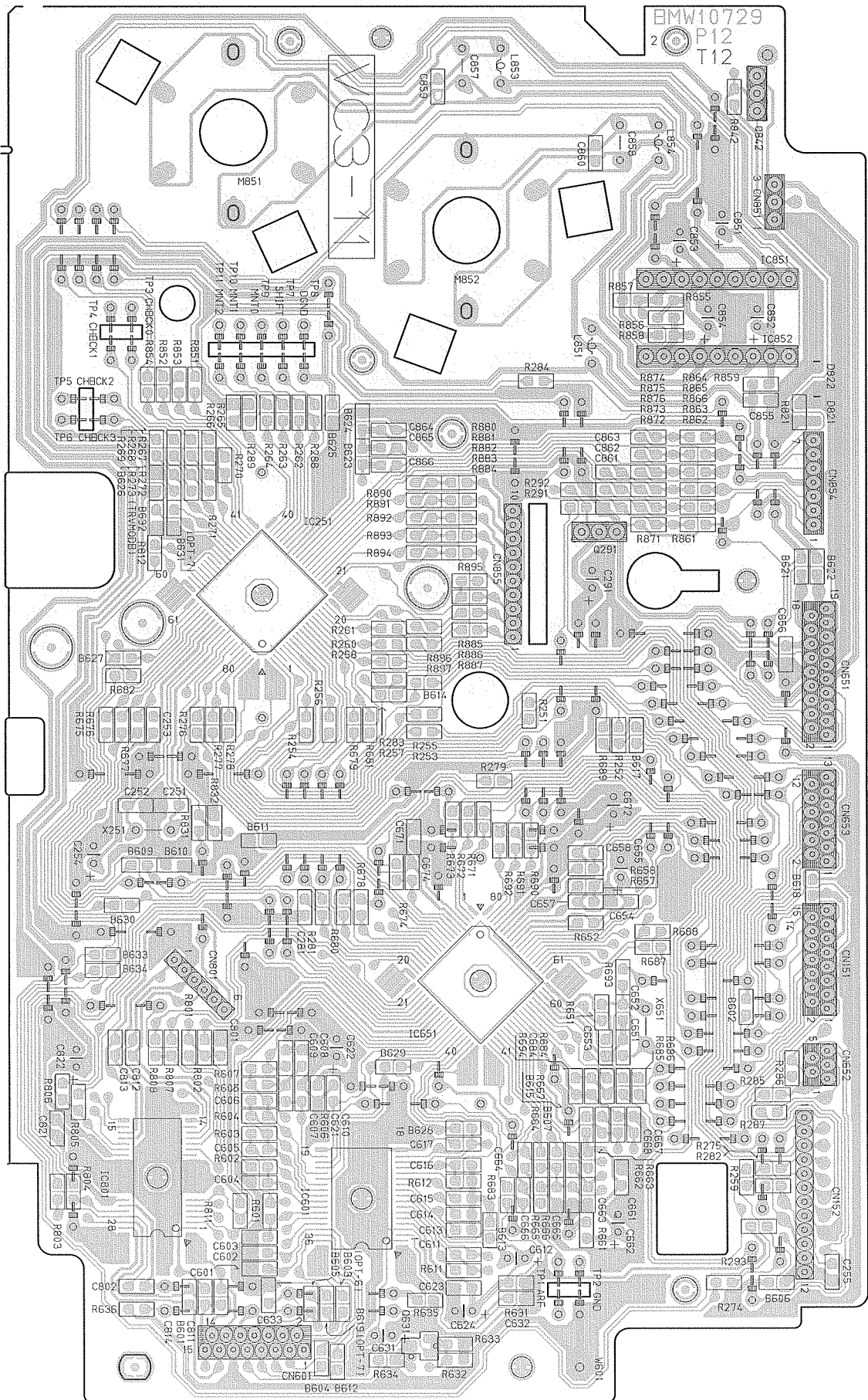
■ CD Tray section switch board



■ Can switch board

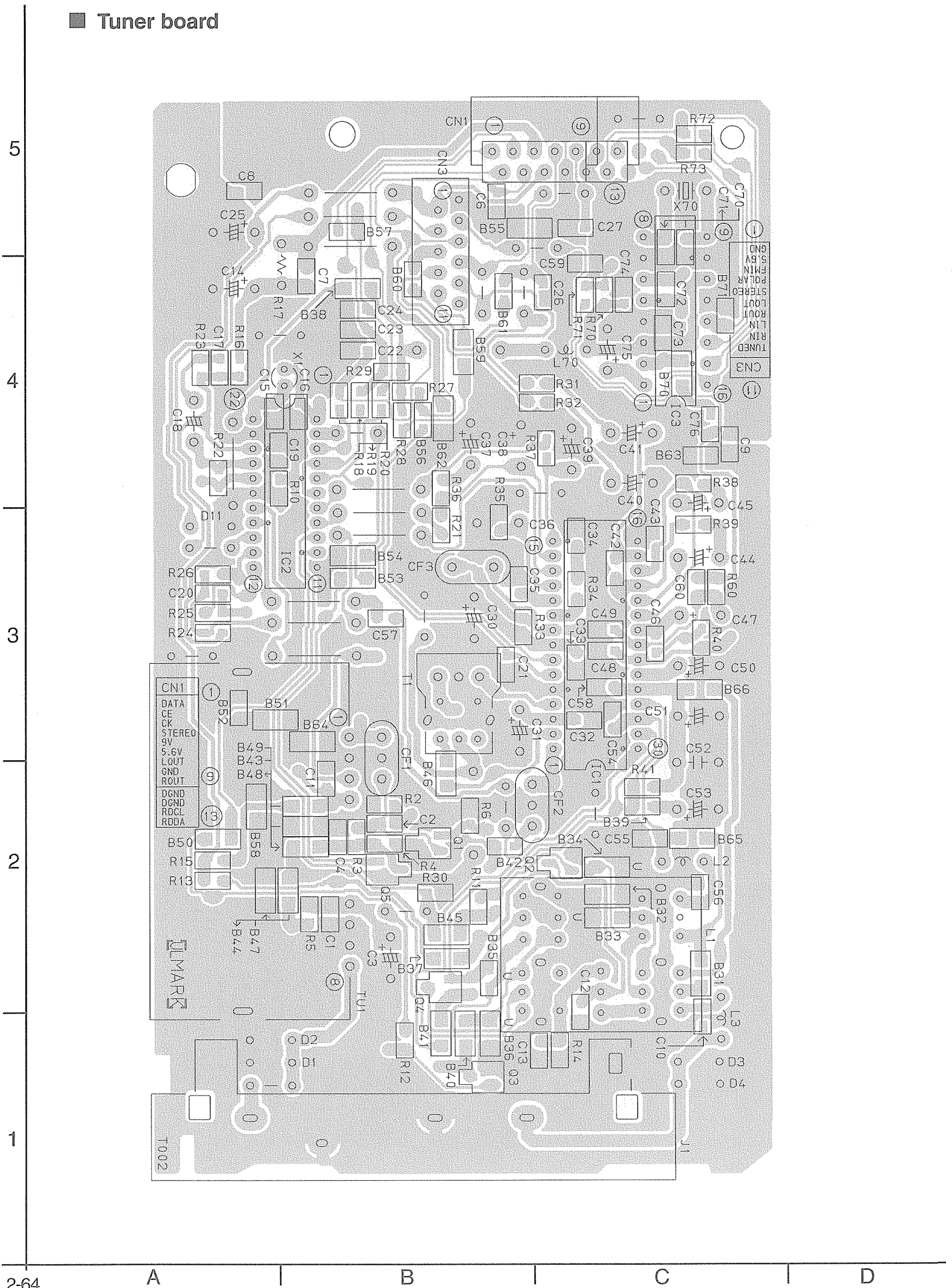


■ CD Servo control board



D | E | F | G | H

■ Tuner board



PARTS LIST

[MX-J900]
[MX-J950R]

* All printed circuit boards and its assemblies are not available as service parts.

MX-J900
Area suffix
J ----- U.S.A.
C ----- Canada
CA-MXJ900/SP-MXJ900
Area suffix
U ----- Other Areas
CA-MXJ950R/SP-MXJ950R
Area suffix
B ----- U.K.
E ----- Continental Europe
EN ----- Northern Europe

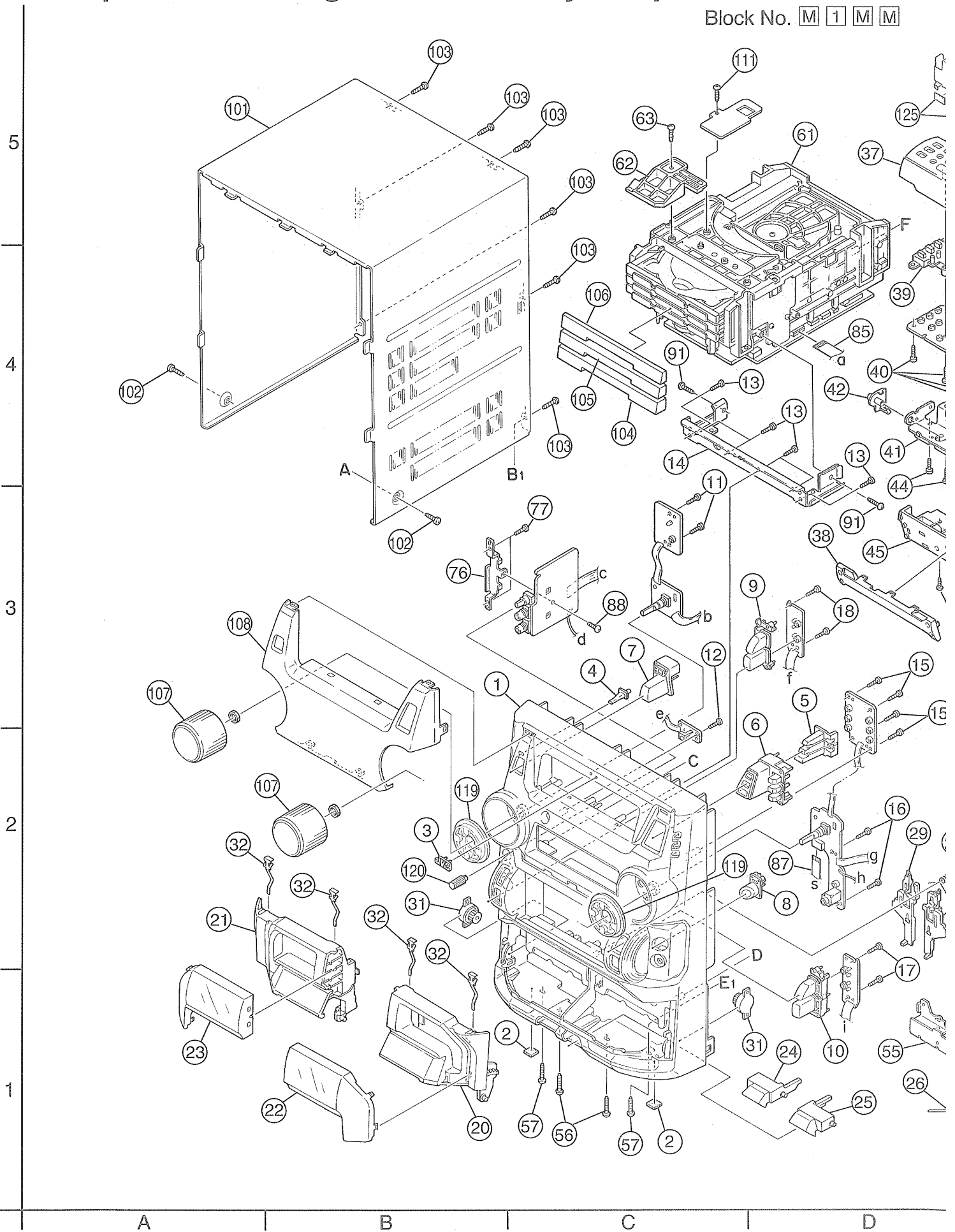
- Contents -

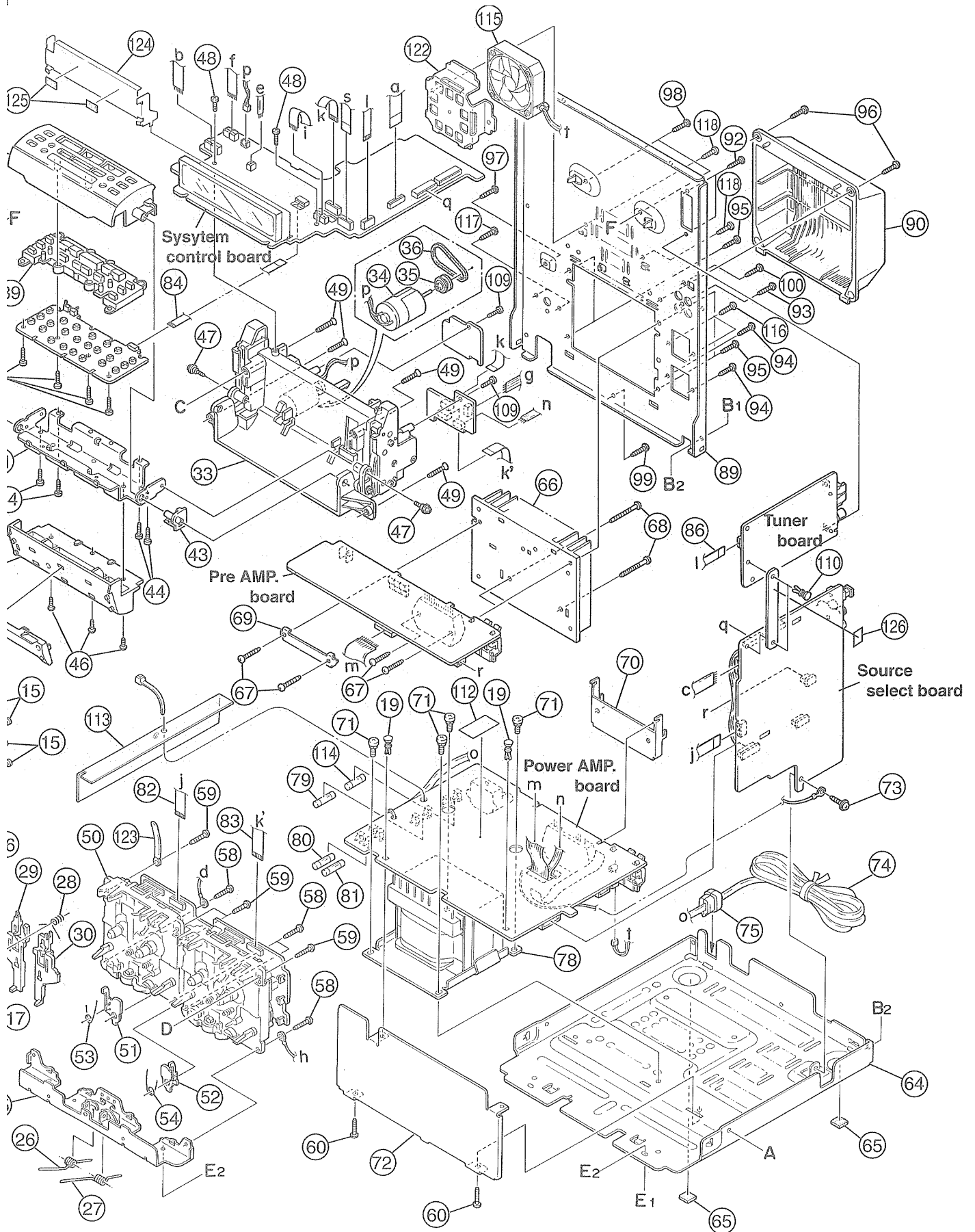
Exploded view of general assembly and parts list	3-3
CD changer mechanism assembly and parts list	3-6
CD mechanism assembly and parts list	3-8
Cassette mechanism assembly and parts list	3-9
Electrical parts list	3-14
Packing materials and accessories parts list	3-30

-MEMO-

Exploded view of general assembly and parts list

Block No. **M 1 M M**





■ Parts list (General assembly)

Block No. M1MM

△	Item	Parts number	Parts name	Q'ty	Description	Area
	1	GV10027-002A	FRONT PANEL	1	CA-MXJ900	
		GV10027-001A	FRONT PANEL	1	MX-J900	
		GV10027-003A	FRONT PANEL	1	CA-MXJ950R	
	2	E75896-001	FELT SPACER	2		
	3	GV40077-001A	JVC BADGE	1		
	4	GV40080-001A	STANDBY INDICATOR	1		
	5	GV20056-001A	CD EJECT BUTTON	1		
	6	GV20057-001A	CD BUTTON	1		
	7	GV30087-001A	POWER BUTTON	1	CA-MXJ900/CA-MXJ950R	
		GV30087-002A	POWER BUTTON	1	MX-J900	
	8	GV30088-001A	PUSH BUTTON	1		
	9	GV20049-003A	SOURCE BUTTON(A)	1	CD/TAPE MARK	
	10	GV20050-002A	SOURCE BUTTON(B)	1	TUNER/AUX MARK	
	11	QYSDFS2608Z	SCREW	2	POWER BOARD	
	12	QYSDFS2608Z	SCREW	1	REMOTE SENSOR	
	13	QYSDFS2608Z	SCREW	6	STY.BKT+F.PANEL	
	14	GV30082-001A	STAY BRACKET	1		
	15	QYSDFS2608Z	SCREW	4	CD SWITCH BOARD	
	16	QYSDFS2608Z	SCREW	2	VOLUME BOARD	
	17	QYSDFS2608Z	SCREW	2	CD/TAPE S.BOARD	
	18	QYSDFS2608Z	SCREW	2	TUNER/AUX S.BOARD	
	19	FMYH4004-001	PLASTIC RIVET	2	T.SHLD./ P.BOARD	
	20	GV10029-001A	CASS.HOLDER(L)	1		
	21	GV10030-001A	CASS.HOLDER(R)	1		
	22	GV20053-001A	CASS LENS(L)	1		
	23	GV20054-001A	CASS LENS(R)	1		
	24	GV30077-001A	EJECT BUTTON(A)	1		
	25	GV30078-001A	EJECT BUTTON(B)	1		
	26	FMKW4009-001	HOLDER SPRING(A)	1		
	27	FMKW4010-001	HOLDER SPRING(B)	1		
	28	FMKW4011-001	SPRING	1	FOR EJECT LEVER	
	29	FMKS3002-003	EJECT LEVER(A)	1		
	30	FMKS3003-003	EJECT LEVER(B)	1		
	31	GV40034-001A	DAMPER ASSY	2		
	32	VKY4180-401	CASSETTE SPRING	4		
	33	GV10014-005A	CASE ASSY	1		
	34	MXN-13FB12F	DC MOTOR	1		
	35	GV40022-001A	MOTOR PULLEY	1		
	36	GV30038-001A	CAPSTAN BELT	1		
	37	GV30086-002A	MOVING PANEL(A)	1	MX-J900/CA-MXJ900	
		GV30086-005A	MOVING PANEL(A)	1	CA-MXJ950R	
	38	GV30089-003A	PANEL PLATE	1		
	39	GV20058-002A	CONTROL BUTTON	1	CA-MXJ950R	
		GV20058-001A	CONTROL BUTTON	1	MX-J900/CA-MXJ900	
	40	QYSDFS2608Z	SCREW	4	S.BRD/M.PNL ASS'Y	
	41	GV30042-002A	PANEL BRACKET	1		
	42	GV40028-001A	PANEL HOLDER(L)	1		
	43	GV40028-002A	PANEL HOLDER(R)	1		
	44	QYSDFS2608Z	SCREW	4	PNL BKT/M.PNL A	
	45	GV20059-001A	MOVING PANEL(B)	1		
	46	QYSBST2606Z	T.SCREW	3	M.PNL B/PNL BKT	
	47	VKZ4341-204	SPECIAL SCREW	2	ARM CASE/PNL BKT	

■ Parts list (General assembly)

Block No. M1MM

▲	Item	Parts number	Parts name	Q'ty	Description	Area
	48	QYSDSF2608Z	SCREW	2	FL BOARD / CASE	
	49	QYSSSF3012Z	TAP SCREW	4	MOVING PNL./F.P	
	50	-----	CASSETTE MECHA	1		
	51	FMKL4012-004	EJECT SAFETY(A)	1		
	52	FMKL4013-001	EJECT SAFETY(B)	1		
	53	FMKW4007-001	SPRING (A)	1	EJECT SAFETY A	
	54	FMKW4008-001	SPRING (B)	1	EJECT SAFETY B	
	55	GV20055-001A	HOLDER BRACKET	1		
	56	QYSBSG3010E	T.SCREW	2	F.P.TO H.BRKT.	
	57	QYSBSG3010E	T.SCREW	2	F.P.TO CHS.BASE	
	58	QYSBSG3010Z	T.SCREW	4	MECHA & H.BRKT.	
	59	QYSBSF3012Z	SCREW	4	MECHA & F.PANEL	
	60	QYSBSG3010E	T.SCREW	2	T.SHLD/ C.BASE	
	61	-----	CD CHANGER MECH	1		
	62	E309662-001SM	DISC STOPPER	1		
	63	QYSBSF3008Z	SCREW	1	FOR DISC STOPPE	
	64	GV10025-001A	CHASSIS BASE	1		
	65	E75896-006	FELT SPACER	2	CHAS.BASE FOOT	
	66	GV30083-001A	HEAT SINK	1		
	67	QYSBSG3014E	T.SCREW	4	L.SPRING/ STK I	
	68	QYSBSG3020E	TAP SCREW	2	FOR IC BKT.	
	69	GV40029-001A	LEAF SPRING	1		
	70	GV30080-001A	IC BRACKET	1		
	71	QYSDSTL4008Z	SPECIAL SCREW	4		
	72	GV30079-001A	TRANS.SHIELD	1		
	73	QYSBSGG3008E	T.SCREW	1	M.BOARD /C.BASE	
▲	74	QMPK090-205-JN	POWER CORD	1		U,E,EN
▲		QMPD250-200-JN	POWER CORD	1		J,C
▲		QMPN090-200-JC	POWER CORD	1		B
	75	QZW0033-001	STRAIN RELIEF	1		
	76	GV40082-001A	MIC BRACKET	1		U
	77	QYSDSF2608Z	SCREW	2	MIC BKT.+F.PANE	U
▲	78	QQT0278-001	POWER TRANSFORMER	1	T001	J,C
▲		QQT0278-002	POWER TRANSFORMER	1	T001	B,E,EN
▲		QQT0278-003	POWER TRANSFORMER	1	T001	U
▲	79	QMF51E2-2R0-J1	FUSE	1	F001	B
▲		QMF51E2-4R0-J1	FUSE	1	F001	U
▲		QMF51U1-5R0-J1	FUSE	1	F001	J,C
▲	80	QMF51E2-3R15-J1	FUSE	1	F101	U,B,E,EN
▲		QMF51U1-6R0-J1	FUSE	1	F101	J,C,
▲	81	QMF51U1-6R0-J1	FUSE	1	F102	J,C
▲		QMF51E2-3R15-J1	FUSE	1	F102	U,B,E,EN
	82	QUQ412-1028CJ	FFC WIRE(FC315)	1	SLC TO FMC	
	83	QUQ412-1112DJ	FFC WIRE(FC869)	1	SLC TO FMB	
	84	QUQ610-0915BJ	FFC WIRE(FC879)	1	ROL.P TO FMB	
	85	QUQ110-1908BJ	CARD WIRE(FC868)	1	VC3 TO FMB	
	86	QUQ412-1317CJ	FFC WIRE(FC865)	1	TUNER TO FMB	B,E,EN
		QUQ412-0917CJ	FFC WIRE(FC865)	1	TUNER TO FMB	J,C,U
	87	QUQ412-1112DJ	FFC WIRE(FC880)	1	MAIN VR TO FMB	
	88	QYSBST3006Z	T.SCREW	1	MIC BRD./MIC.BK	U
	89	GV10026-021A	REAR PANEL	1		J
		GV10026-026A	REAR PANEL	1		B,E,EN

Parts list (General assembly)

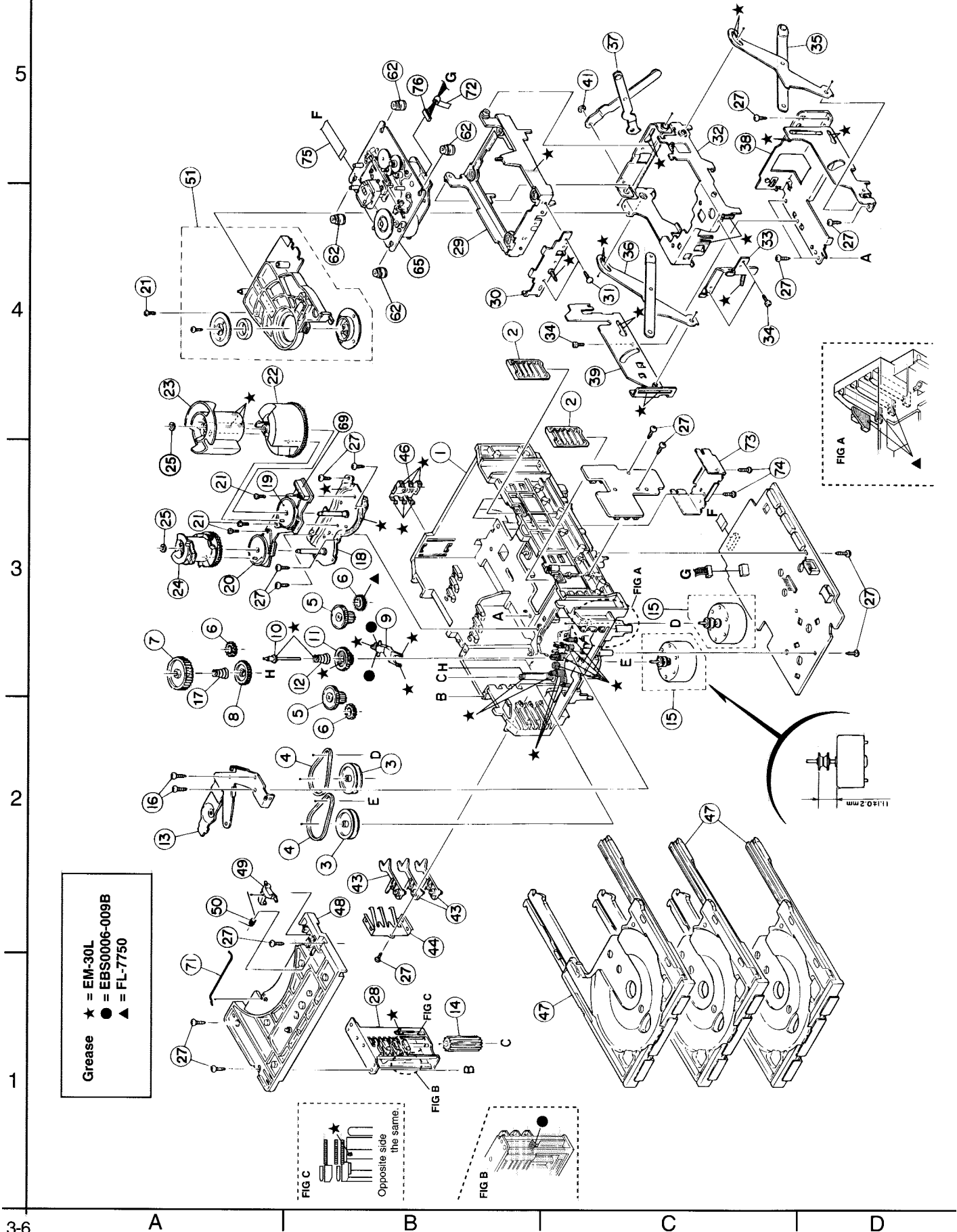
Block No. M1MM

△	Item	Parts number	Parts name	Q'ty	Description	Area
	89	GV10026-020A	REAR PANEL	1		C
		GV10026-024A	REAR PANEL	1		U
	90	E207356-002SM	REAR COVER	1		
	91	QYSBSG3010Z	T.SCREW	2	VC3 / STAY BKT.	
	92	QYSBSGY3008E	SPECIAL SCREW	2	ANTENA/R.PANEL	
	93	QYSBSGY3008E	SPECIAL SCREW	1	AUX TEM/R.PANEL	
	94	QYSBSGY3008E	SPECIAL SCREW	2	SPK TEM./R.PANE	
	95	QYSBSGY3008E	SPECIAL SCREW	4	H.SINK/ R.PANEL	
	96	QYSBSGY3008E	SPECIAL SCREW	2	R.COVER/R PANEL	
	97	QYSBSGY3008E	SPECIAL SCREW	1	GROUND /R.PANEL	
	98	QYSBSGY3008E	SPECIAL SCREW	2	VC3 / REAR PANE	
	99	QYSBSGY3008E	SPECIAL SCREW	1	R.PANEL / C.BAS	
	100	QYSBSGY3008E	SPECIAL SCREW	1	OPTICAL /R.PANE	
	101	GV10024-001A/S/	METAL COVER	1		
	102	QYSDSG3006M	T.SCREW	2	M.COVER+C.BASE	
	103	QYSBSGY3008E	SPECIAL SCREW	6	M.COVER+R.PANEL	
	104	GV30074-003A	CD FITTING	1	DISC 1	
	105	GV30075-003A	CD FITTING	1	DISC 2	
	106	GV30076-003A	CD FITTING	1	DISC 3	
	107	GV30084-001A	KNOB	2	S.WOOFER & VOL.	
	108	GV10028-006A	WINDOW SCREW	1	MX-J900/CA-MXJ900	
		GV10028-008A	WINDOW SCREEN	1	CA-MXJ950R	
	109	QYSDSF2608Z	SCREW	2	WIRE & MOTOR STOPPER	
	110	FMYH4004-001	PLASTIC RIVET	2	TUNER BRD.HOLDER	
	111	QYSBSF3008Z	TAPPING SCREW	1	FOR CD BOARD	J,C
	112	E75804-001	CAUTION LABEL	1		C
	113	GV30104-001A	PROTECT SHEET	1		
△	114	QMF51E2-2R0-J1	FUSE	1	F003	U
	115	QAR0124-001	FAN MOTOR	1	F703	
	116	QYSBSGY3008E	SPECIAL SCREW	2	S.WOOFER/R.PANE	
	117	QYSBSF3012E	SPECIAL SCREW	2	VOL.SEL/R.P.	U
	118	QYSBSGY3008E	SPECIAL SCREW	2	FAN BKT./R.PANE	
	119	GV30085-001A	INDICATOR	2		
	120	GV40083-001A	MIC VOL.KNOB	1		U
	122	GV30081-001A	FAN BRACKET	1		
	123	VKZ4001-110S	WIRE HOLDER	1		
	124	GV30032-001A	FL HOLDER	1		
	125	E3400-439	FELT SPACER	2		
	126	GV40123-001A	FELT SPACER	1		

CD changer mechanism assembly and parts list

VC3-21M

Block No. M 2 M M



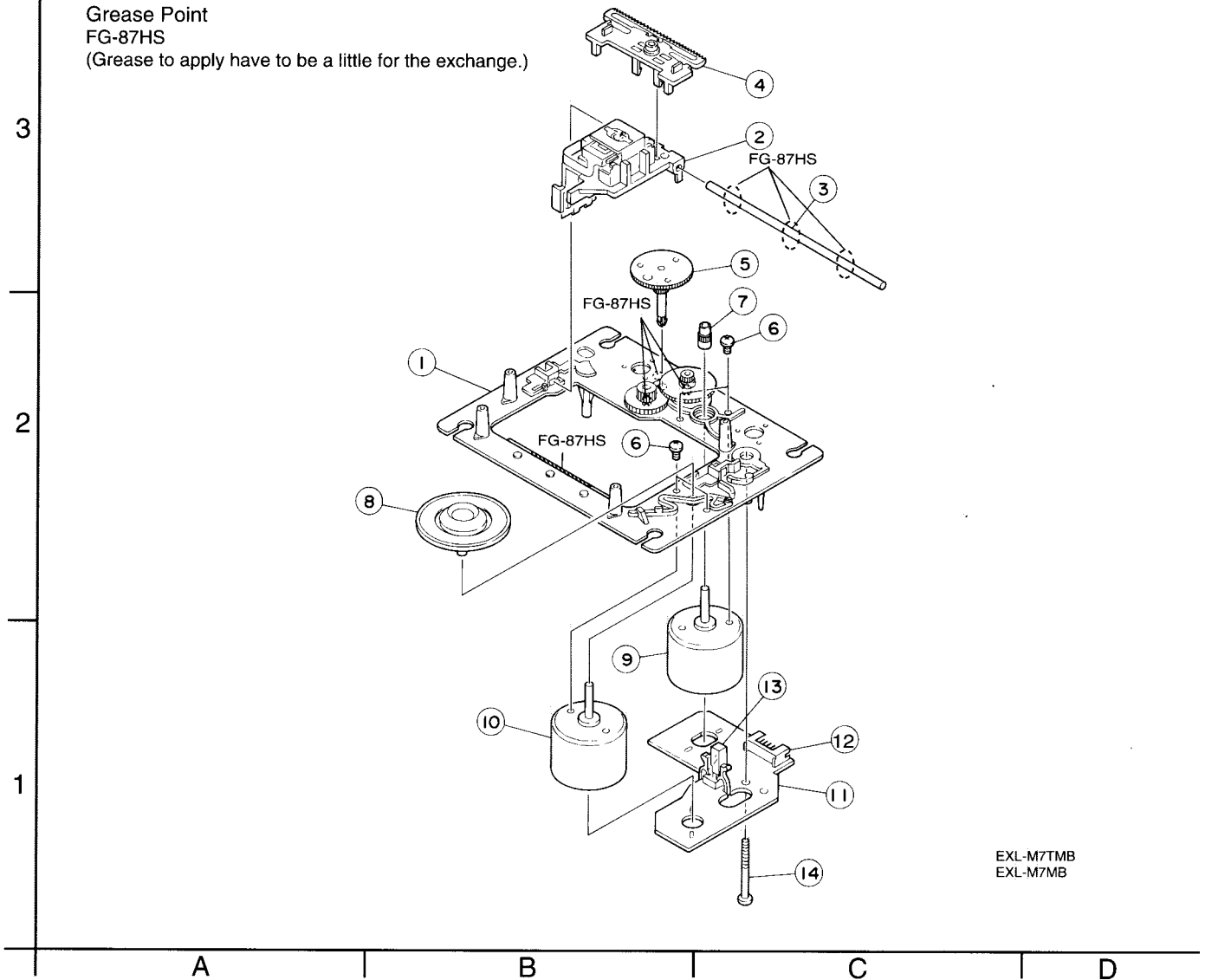
■Parts list (CD changer mechanism)

Block No. M2MM

△	Item	Parts number	Parts name	Q'ty	Description	Area
	1	VKS1144-003	CHASSIS	1		
	2	VKS3698-003	TRAY GUIDE	2		
	3	VKS5532-003	PULLEY GEAR	2		
	4	VKB3000-164	BELT	2		
	5	VKS5505-003	GEAR B	2		
	6	VKS5506-002	GEAR C	3		
	7	VKS5507-002	CROSS GEAR U	1		
	8	VKS5508-002	CROSS GEAR L	1		
	9	VKS5510-003	SELECT LEVER	1		
	10	VKH5769-001	S.G.SHAFT	1		
	11	VKS5511-002	SELECT GEAR	1		
	12	VKW5155-003	COMP.SPRING	1	FOR SELECT GEAR	
	13	VKM3846-002	GEAR BRACKET	1		
	14	VKS5509-002MM	CYLINDER GEAR	1		
	15	MSN5D257A-SA2	D.C.MOTOR ASS'Y	2		
	16	QYSPSPD2616Z	SCREW	2	FOR MOTOR	
	17	LV40612-001A	COMP.SPRING	1		
	18	VKM3825-00AMM	C.G.BASE ASS'Y	1		
	19	VKZ3172-00ASS	CAM SW. R ASS'Y	1		
	20	VKZ3173-00ASS	CAM SW. L ASS'Y	1		
	21	QYSPST2606Z	SCREW	4		
	22	VKS2263-002MM	CAM R1	1		
	23	VKS2264-002MM	CAM R2	1		
	24	VKS2265-002MM	CAM GEAR L	1		
	25	WDL316050MM	SLIT WASHER	2		
	27	QYSBSF2608Z	T.SCREW	16		
	28	VKS3702-00FMM	DRIVE UNIT	1		
	29	VKS2247-004	MECHA HOLDER A	1		
	30	VKL7767-00B	BRACKET ASS'Y	1		
	31	QYSBSF2606Z	SCREW	2	FOR BRACKET	
	32	VKM3860-00A	M.HOLDER B AS'Y	1		
	33	VKL7802-00C	M.HOLDER C AS'Y	1		
	34	QYSDST2604Z	SCREW	3		
	35	VKL7810-00A	LIFTER ASS'Y R	1		
	36	VKL7811-00A	LIFTER ASS'Y L	1		
	37	VKL7812-00A	LIFTER ASS'Y H	1		
	38	VKL2732-002	LIFTER BASE	1		
	39	VKM3857-001	LIFTER BRACKET	1		
	41	WDL266035-2	SLIT WASHER	1		
	43	VKS5514-002MM	LOCK LEVER	3		
	44	VKY3133-002MM	RETURN SPRING	1		
	46	VKY3134-003MM	CLICK SPRING	1		
	47	VKS2252-00E	TRAY ASS'Y	3		
	48	VKS2250-003	TOP BRACKET	1		
	49	VKS5515-002	S.TRAY STOPPER	1		
	50	VKW5156-004	TORSION SPRING	1		
	51	VKS3703-00G	CLAMPER ASS'Y	1		
	62	LV40761-003A	INSULATOR	4		
	65	-----	CD MECHA	1		
	69	QGB2012J1-10	CONNECTOR	1		
	71	VKW5187-001	ROD	1		
	72	VYSA1R2-033	SPACER	1	FOR EWS176-008	
	73	LE30611-001A	C.B HOLDER	1	FOR CD CB	
	74	QYSBSF3008Z	SCREW	2	FOR HOLDER	
	75	QUQ610-1509AJ	CARD WIRE	1	TRAVERSE 15	
	76	EWS176-008	FLAT WIRE	1	TRAVERSE 6	

CD mechanism assembly and parts list

Block No. **M 3 M M**



Parts list (CD mechanism)

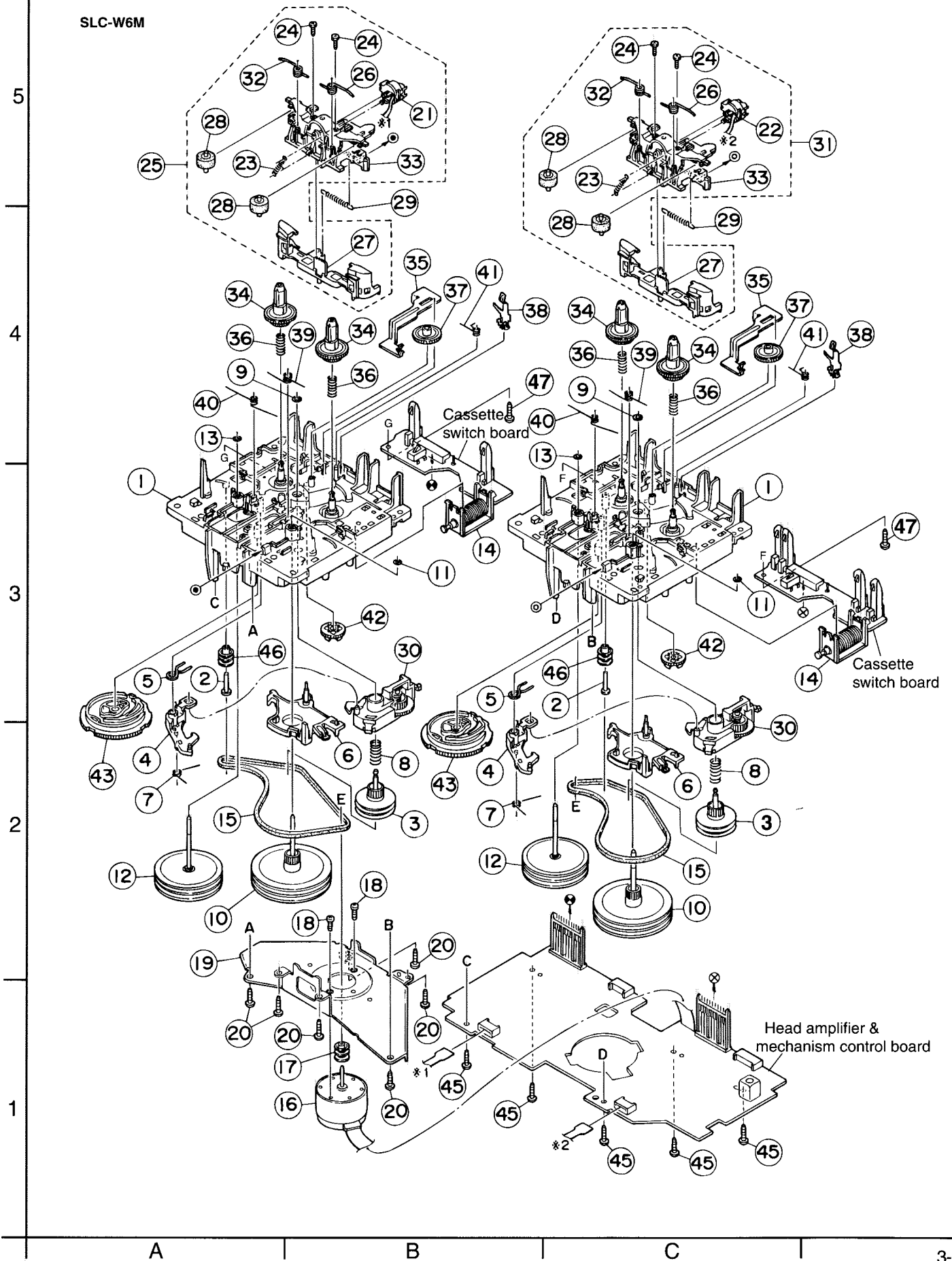
Block No. **M3MM**

Item	Parts number	Parts name	Q'ty	Description	Area
1	E102731-221SM	MECHA BASE	1		
2	OPTIMA-7B	OPTICAL PICK UP	1		
3	E406777-002SM	CD SHAFT	1		
4	LV31002-001A	CD RACK	1		
5	E307745-441SM	MECHA GEAR	1		
6	QYSDSP2003N	SCREW	4		
7	E406750-442SM	PINION GEAR	1		
8	EPB-001PK	TURN TABLE	1	SINGLE CD	
	EPB309173PKA	TURN TABLE	1	CHANGER CD	
9	E406784-001	FEED MOTOR	1		
10	QAR0130-001	SPINDLE MOTOR	1		
11	EMW10190-441	P.C.BOARD	1		
12	QGA2001F1-06	6P PLUG ASSY	1		
13	QSW0506-001	LEAF SWITCH	1		
14	E75832-221SS	SPECIAL SCREW	1		

Cassette mechanism assembly and parts list

Block No. M 4 M M

SLC-W6M



■ Parts list (Cassette mechanism)

Block No. M4MM

▲	Item	Parts number	Parts name	Q'ty	Description	Area
	1	VKS1165-00H	CHASSIS B.ASS'Y	2		
	2	VKH5786-002	SHAFT	2		
	3	VKS5603-00D	MAIN PULLEY ASY	2		
	4	VKS3785-001MM	FR ARM	2		
	5	VKW5284-002	SWING SPRING	2		
	6	VKS2278-003	TRIGGER ARM	2		
	7	VKW5301-001	FR SPRING	2		
	8	VKW5266-001	ELEVATOR SPRING	2		
	9	WDL214025	WASHER	2		
	10	VKF3205-00B	F.WHEEL ASSY(R)	2		
	11	WDL183425	SLIT WASHER	2		
	12	VKF3207-00B	F.WHEEL ASSY(L)	2		
	13	WDL173525-6	SLIT WASHER	2		
	14	VKZ3174-00A	DC SOLENOID	2		
	15	VKB3000-182	CAPSTAN BELT(B)	2		
	16	MSI-5U2LWA	D.C.MOTOR ASS'Y	1		
	17	VKR4761-001	MOTOR PULLEY	1		
	18	QYSPSP2604Z	SCREW	2		
	19	VKM3907-001	JOINT BRACKET	1		
	20	QYSBSF2608Z	T.SCREW	6		
	21	LV41090-001A	P.B.HEAD	1		
	22	LV41089-001A	R/P&E HEAD	1		
	23	VKW5302-001	HEAD SPRING	2		
	24	VKZ4730-001	SPECIAL SCREW	4		
	25	VKS2279-00D	HEAD MOUNT ASSY	1		
	26	VKW5299-002	PIN ROL.SP.(R)	2		
	27	VKS2277-005	DIRECTION LEVER	2		
	28	VKP4233-00A	PINCH ROL. ASSY	4		
	29	VKW5285-001	RETURN SPRING	2		
	30	VKS3786-00G	CLUTCH ASS'Y	2		
	31	VKS2275-00D	HEAD MOUNT ASSY	1		
	32	VKW5300-002	PIN ROL.SP.(L)	2		
	33	VKS1167-001	HEAD MOUNT BASE	2		
	34	VKS2274-002	REEL GEAR	4		
	35	VKM3906-003	PLAY SW LEVER	2		
	36	VKW5286-002	B.T. SPRING	4		
	37	VKS5559-001	PLAY IDLE GEAR	2		
	38	VKY3149-002	CASSETTE SP.	2		
	39	VKW5279-001	HEAD BASE SP(R)	2		
	40	VKW5280-001	HEAD BASE SP(L)	2		
	41	VKW5296-001	EARTH SPRING	2		
	42	VKS5597-00A	BLIND	2		
	43	VKS1166-003	CONTROL CAM	2		
	45	QYSBSF2608Z	T.SCREW	5	FOR P.W.B.	
	46	VKR4749-002	IDLE PULLEY	2		
	47	QYSBSF2006Z	SCREW	2		

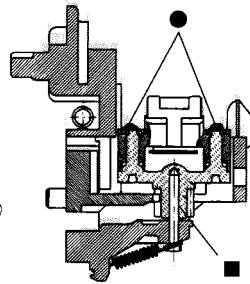
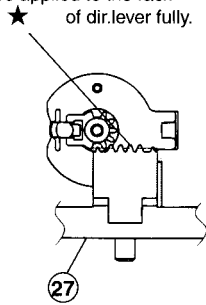
Grease point

Grease	
★	=JC-525
■	=FL-7750
▲	=UD-24
△	=UD-24H2
●	=LX-1349B
◎	=MOBIL-1

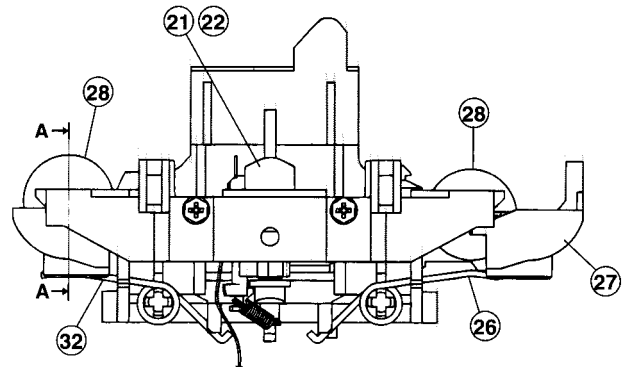
5

4

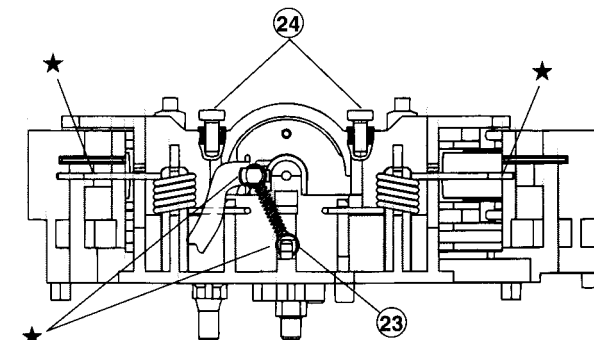
Should be applied to the rack of dir.lever fully.



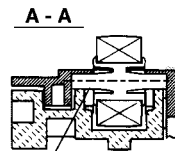
Between head holder and shaft.



3

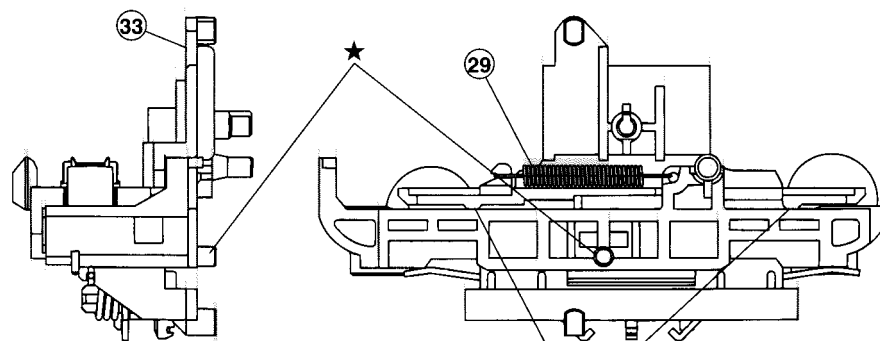


Between head holder and spring's hook.



Apply oil to the shaft of pinch roller on both sides before assembly.

2



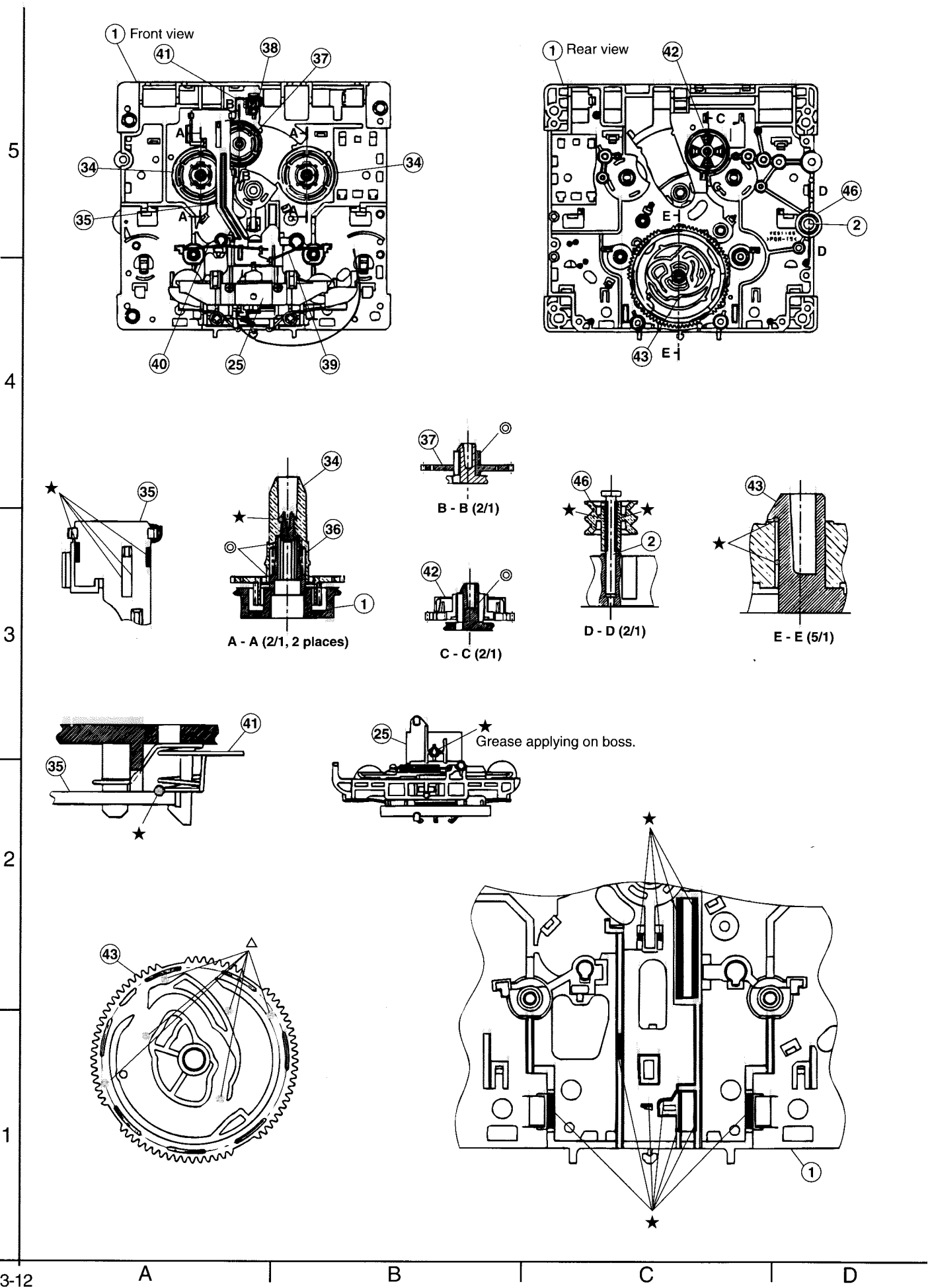
★ Between direction lever and head mount base.

1

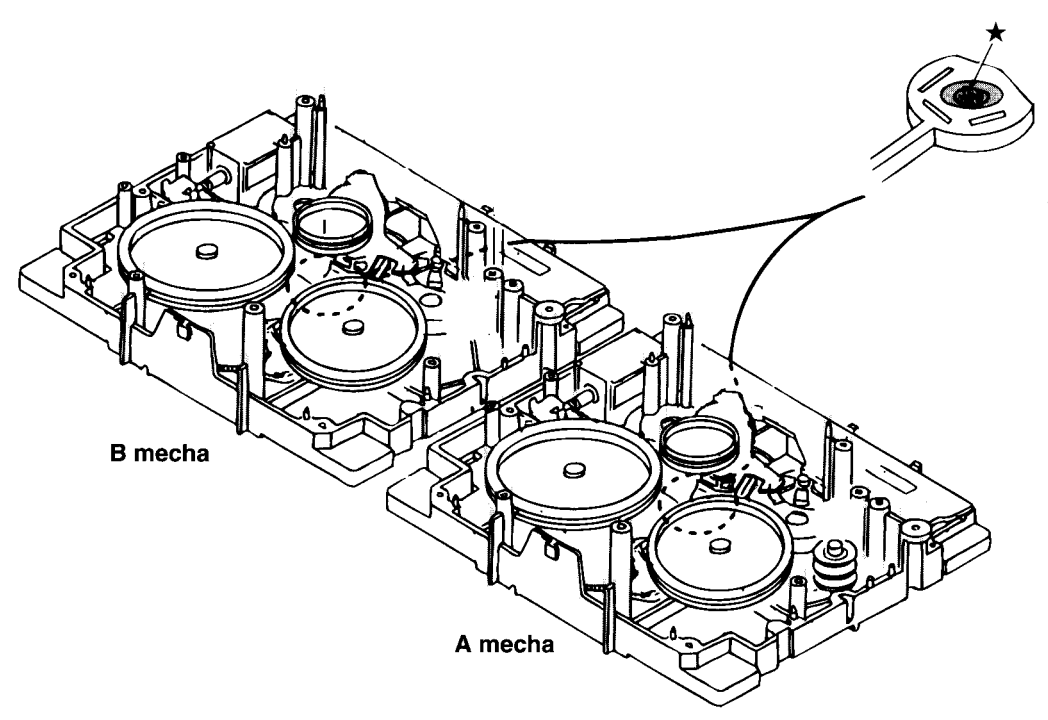
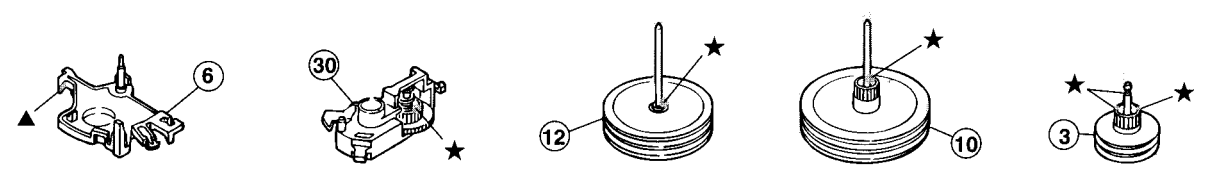
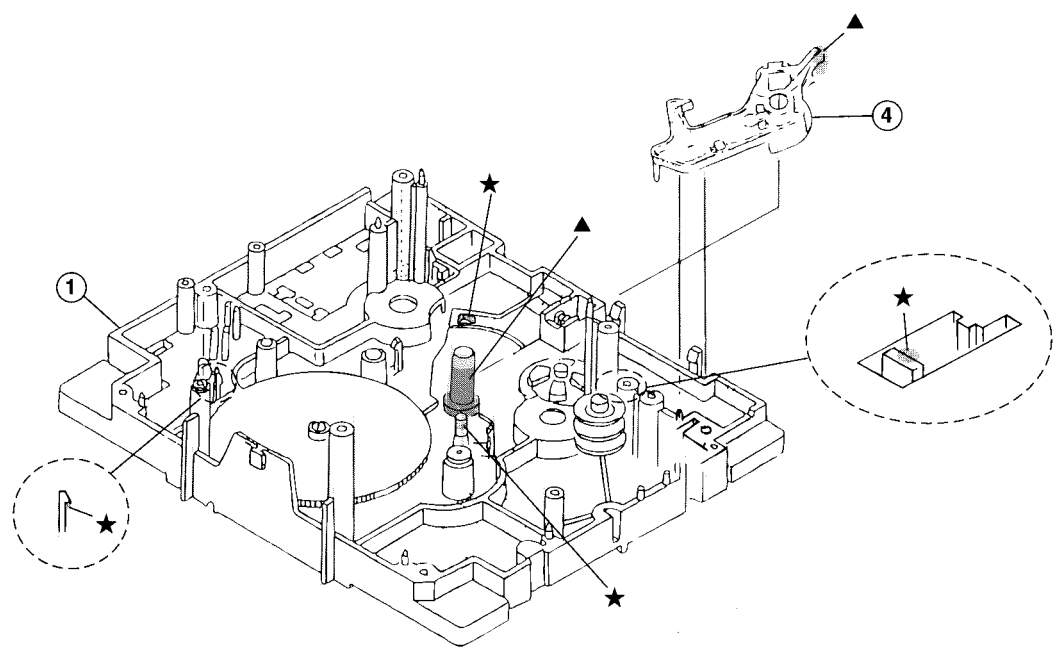
A

B

C



5
4
3
2
1



Electrical parts list

■ Electrical parts list (Power AMP. & Source select board) Block No. 01

▲	Item	Parts number	Parts name	Remarks	Area	▲	Item	Parts number	Parts name	Remarks	Area
C 201	QFKC2EK-104	M CAPACITOR	.10MF 10% 250V			C 473	QETN1EM-106Z	E CAPACITOR	10MF 20% 25V		U
C 202	QFKC2EK-104	M CAPACITOR	.10MF 10% 250V			C 474	QETN1EM-106Z	E CAPACITOR	10MF 20% 25V		U
C 203	QFKC2EK-104	M CAPACITOR	.10MF 10% 250V			C 475	EETC1HM-105ZJC	E CAPACITOR			U
C 204	EETB1JM-478JC	E CAPACITOR				C 476	QFLM1HJ-682Z	M CAPACITOR	6800PF 5% 50V		
C 205	EETB1JM-478JC	E CAPACITOR				C 481	QFZ0160-223Z	PP CAPACITOR	.022MF		
C 211	QFVJ1HJ-104Z	TF CAPACITOR	.10MF 5% 50V			C 482	QFZ0160-223Z	PP CAPACITOR	.022MF		
C 212	QFVJ1HJ-104Z	TF CAPACITOR	.10MF 5% 50V			C 483	QFZ0160-223Z	PP CAPACITOR	.022MF		
C 213	QFVJ1HJ-104Z	TF CAPACITOR	.10MF 5% 50V			C 484	QFZ0160-223Z	PP CAPACITOR	.022MF		
C 214	EETB1VM-228JC	E CAPACITOR				C 485	QETN1EM-106Z	E CAPACITOR	10MF 20% 25V		
C 215	EETB1VM-228JC	E CAPACITOR				C 486	QETN1EM-106Z	E CAPACITOR	10MF 20% 25V		
C 216	QETN1VM-107Z	E CAPACITOR	100MF 20% 35V			C 487	EETC1AM-107ZJC	E CAPACITOR			
C 217	QETN1JM-476Z	E CAPACITOR	47MF 20% 63V			C 488	EETC1CM-476ZJC	E CAPACITOR			
C 218	EETC1HM-226ZJC	E CAPACITOR				C 489	EETC1AM-107ZJC	E CAPACITOR			
C 219	QDYB1CM-103Y	C CAPACITOR				C 501	QETN1HM-475Z	E CAPACITOR	4.7MF 20% 50V		
C 220	EETC1HM-226ZJC	E CAPACITOR				C 502	QETN1HM-475Z	E CAPACITOR	4.7MF 20% 50V		
C 221	EETC1HM-475ZJC	E CAPACITOR				C 503	QFVJ1HJ-224Z	C CAPACITOR	.22MF 5% 50V		
C 222	EETC1HM-475ZJC	E CAPACITOR				C 504	QFLM1HJ-822Z	M CAPACITOR	8200PF 5% 50V		
C 223	EETC1HM-225ZJC	E CAPACITOR				C 505	QFVJ1HJ-274Z	CAPACITOR	.27MF 5% 50V		
C 233	QFVJ1HJ-224Z	CAPACITOR	.22MF 5% 50V		U	C 506	EETC1AM-107ZJC	E CAPACITOR			
C 233	QFLM1HJ-103Z	M CAPACITOR	.010MF 5% 50V		B,E,EN	C 507	QFLM1HJ-273Z	M CAPACITOR	.027MF 5% 50V		
C 233	QFLM1HJ-103Z	M CAPACITOR	.010MF 5% 50V		C,J	C 508	QFLM1HJ-273Z	M CAPACITOR	.027MF 5% 50V		
C 253	QETM1EM-338	E CAPACITOR	3300MF 20% 25V			C 509	QETN1HM-475Z	AL E.CAPACITOR	4.7MF 20% 50V		
C 401	QCBB1HK-221Y	C CAPACITOR	220PF 10% 50V		B,E,EN	C 510	QETN1HM-475Z	E CAPACITOR	4.7MF 20% 50V		
C 402	QCBB1HK-221Y	C CAPACITOR	220PF 10% 50V		B,E,EN	C 511	EETC1AM-107ZJC	E CAPACITOR			
C 403	QETN1AM-477Z	E CAPACITOR	470MF 20% 10V			C 512	EETC1AM-107ZJC	E CAPACITOR			
C 404	QETN1CM-476Z	E CAPACITOR	47MF 20% 16V			C 513	EETC1AM-107ZJC	E CAPACITOR			
C 411	QCBB1HK-221Y	C CAPACITOR	220PF 10% 50V			C 514	QFLM1HJ-473Z	C CAPACITOR	.047MF 5% 50V		
C 412	QCBB1HK-221Y	C CAPACITOR	220PF 10% 50V			C 526	EETC1AM-107ZJC	E CAPACITOR			
C 413	QCBB1HK-221Y	C CAPACITOR	220PF 10% 50V		C,J,U	C 527	QFLM1HJ-273Z	M CAPACITOR	.027MF 5% 50V		
C 413	QDGB1HK-102Y	C CAPACITOR			B,E,EN	C 528	QFLM1HJ-104Z	M CAPACITOR	.10MF 5% 50V		
C 414	QDGB1HK-102Y	C CAPACITOR			B,E,EN	C 530	QFVJ1HJ-104Z	TF CAPACITOR	.10MF 5% 50V		
C 414	QCBB1HK-221Y	C CAPACITOR	220PF 10% 50V		C,J,U	C 531	QFVJ1HJ-274Z	TF CAPACITOR	.27MF 5% 50V		
C 415	QDGB1HK-102Y	C CAPACITOR			U	C 532	QETN1CM-476Z	AL E.CAPACITOR	47MF 20% 16V		
C 415	QDXB1CM-222Y	C CAPACITOR			B,E,EN	C 534	QETN1CM-476Z	AL E.CAPACITOR	47MF 20% 16V		
C 415	QCBB1HK-101Y	C CAPACITOR	100PF 10% 50V		C,J	C 535	EETC1AM-107ZJC	E CAPACITOR			
C 416	QDXB1CM-222Y	C CAPACITOR			U,B,E,EN	C 556	QETN1EM-106Z	E CAPACITOR	10MF 20% 25V		
C 416	QCBB1HK-101Y	C CAPACITOR	100PF 10% 50V		C,J	C 571	QETN1HM-225Z	E CAPACITOR	2.2MF 20% 50V		
C 426	QDVB1EZ-223Y	C CAPACITOR				C 574	EETC1AM-107ZJC	E CAPACITOR			
C 427	EETC1EM-106ZJC	E CAPACITOR				C 575	QCBB1HK-101Y	C CAPACITOR	100PF 10% 50V		
C 432	QFLM1HJ-102Z	M CAPACITOR	1000PF 5% 50V		B,E,EN	C 576	QETN1CM-476Z	E CAPACITOR	47MF 20% 16V		
C 433	QFLM1HJ-103Z	C CAPACITOR	.010MF 5% 50V		B,E,EN	C 577	QETN1CM-476Z	E CAPACITOR	47MF 20% 16V		
C 436	EETC1AM-107ZJC	E CAPACITOR				C 578	EETC1HM-105ZJC	E CAPACITOR			
C 437	EETC1EM-106ZJC	E CAPACITOR				C 583	EETC1AM-107ZJC	E CAPACITOR			
C 438	QDYB1CM-103Y	C CAPACITOR				C 703	QCBB1HK-471Y	C CAPACITOR	470PF 10% 50V		
C 439	QETN1EM-106Z	E CAPACITOR	10MF 20% 25V			C 704	QCBB1HK-471Y	C CAPACITOR	470PF 10% 50V		
C 440	QETN1EM-106Z	E CAPACITOR	10MF 20% 25V			C 705	QCBB1HK-221Y	C CAPACITOR	220PF 10% 50V		
C 441	QTE1V06-106Z	E CAPACITOR				C 706	QCBB1HK-221Y	C CAPACITOR	220PF 10% 50V		
C 442	QTE1V06-106Z	E CAPACITOR				C 707	QETN1JM-476Z	E CAPACITOR	47MF 20% 63V		
C 443	QETN1HM-225Z	E CAPACITOR	2.2MF 20% 50V			C 708	QETN1JM-476Z	E CAPACITOR	47MF 20% 63V		
C 444	QETN1HM-225Z	E CAPACITOR	2.2MF 20% 50V			C 709	QCSB1HJ-100Y	C CAPACITOR	10PF 5% 50V		
C 445	QETN1EM-106Z	E CAPACITOR	10MF 20% 25V			C 710	QCSB1HJ-100Y	C CAPACITOR	10PF 5% 50V		
C 446	QETN1EM-106Z	E CAPACITOR	10MF 20% 25V			C 711	QFVJ2AJ-104Z	M CAPACITOR	.10MF 5% 100V		
C 447	QTE1V06-106Z	E CAPACITOR				C 712	QFVJ2AJ-104Z	M CAPACITOR	.10MF 5% 100V		
C 448	QTE1V06-106Z	E CAPACITOR				C 713	QFLM1HJ-473Z	M CAPACITOR	.047MF 5% 50V		C,U
C 449	QETN1HM-225Z	E CAPACITOR	2.2MF 20% 50V			C 713	QFLM1HJ-473Z	M CAPACITOR	.047MF 5% 50V		B,E,EN
C 450	QETN1HM-225Z	E CAPACITOR	2.2MF 20% 50V			C 714	QFLM1HJ-473Z	M CAPACITOR	.047MF 5% 50V		B,E,EN
C 453	QFVJ1HJ-104Z	TF CAPACITOR	.10MF 5% 50V			C 714	QFLM1HJ-473Z	M CAPACITOR	.047MF 5% 50V		C,U
C 454	QFVJ1HJ-104Z	TF CAPACITOR	.10MF 5% 50V			C 715	QFLM1HJ-473Z	M CAPACITOR	.047MF 5% 50V		C,U
C 455	QFVJ1HJ-104Z	TF CAPACITOR	.10MF 5% 50V			C 715	QFLM1HJ-473Z	M CAPACITOR	.047MF 5% 50V		B,E,EN
C 456	QFVJ1HJ-104Z	TF CAPACITOR	.10MF 5% 50V			C 716	QFLM1HJ-473Z	M CAPACITOR	.047MF 5% 50V		B,E,EN
C 457	QFLM1HJ-223Z	M CAPACITOR	.022MF 5% 50V			C 716	QFLM1HJ-473Z	M CAPACITOR	.047MF 5% 50V		C,U
C 458	QFLM1HJ-223Z	M CAPACITOR	.022MF 5% 50V			C 717	QFLM1HJ-473Z	M CAPACITOR	.047MF 5% 50V		J
C 459	QFLM1HJ-183Z	M CAPACITOR	.018MF 5% 50V			C 718	QFLM1HJ-473Z	M CAPACITOR	.047MF 5% 50V		J
C 460	QFLM1HJ-183Z	M CAPACITOR	.018MF 5% 50V			C 721	QTE1V06-106Z	E CAPACITOR			
C 461	QFLM1HJ-562Z	M CAPACITOR	5600PF 5% 50V			C 722	QTE1V06-106Z	E CAPACITOR			
C 462	QFLM1HJ-562Z	M CAPACITOR	5600PF 5% 50V			C 723	EETC1AM-107ZJC	E CAPACITOR			
C 466	QETN1HM-475Z	E CAPACITOR	4.7MF 20% 50V		U	C 726	EETC1EM-106ZJC	E CAPACITOR			
C 467	QETN1HM-225Z	E CAPACITOR	2.2MF 20% 50V		U	C 729	EETC1CM-476ZJC	E CAPACITOR			
C 468	EETC1EM-226ZJC	E CAPACITOR			U	C 730	QCF31HZ-223Z	C CAPACITOR	.022MF +80-.20%		
C 469	QFLM1HJ-683Z	M CAPACITOR	.068MF 5% 50V		U	C 731	QCF31HZ-223Z	C CAPACITOR	.022MF +80-.20%		
C 470	QFVJ1HJ-274Z	CAPACITOR	.27MF 5% 50V		U	C 732	QDXB1CM-222Y	C CAPACITOR			
C 471	QETN1EM-106Z	E CAPACITOR	10MF 20% 25V		U	C 733	QFVJ1HJ-104Z	TF CAPACITOR	.10MF 5% 50V		
C 472	QETN1EM-106Z	E CAPACITOR	10MF 20% 25V		U	C 734	QDXB1CM-222Y	C CAPACITOR			

■ Electrical parts list (Power AMP. & Source select board) Block No. 01

▲	Item	Parts number	Parts name	Remarks	Area	▲	Item	Parts number	Parts name	Remarks	Area
	C 735	QFVJ1HJ-104Z	TF CAPACITOR	.10MF 5% 50V			D 720	1SS133-T2	SI DIODE		
	C 736	QFLM1HJ-393Z	M CAPACITOR	.039MF 5% 50V	B,E,EN		D 723	MTZJ33C-T2	Z DIODE		
	C 737	QFLM1HJ-393Z	M CAPACITOR	.039MF 5% 50V	B,E,EN		D 724	MTZJ33C-T2	Z DIODE		
	C 739	QFLM1HJ-473Z	M CAPACITOR	.047MF 5% 50V			D 725	1SS133-T2	SI DIODE		
	C 781	QETN1JM-476Z	E CAPACITOR	47MF 20% 63V			D 726	1SS133-T2	SI,DIODE		
	C 790	EETC1EM-476ZJC	E CAPACITOR				D 728	1SS133-T2	SI DIODE		
	CN315	QGF1205F1-10	CONNECTOR				D 737	1SS133-T2	SI,DIODE		
	CN612	QGB2510J1-11	CONNECTOR				D 790	1SS133-T2	SI DIODE		
	CN701	QGB2510K2-10	CONNECTOR				D 791	1SS133-T2	SI DIODE		
	CN702	QGB2510K2-10	CONNECTOR				D1021	MTZJ6.2C-T2	Z DIODE		U
	CN703	QGA2501C1-02	2P CONNECTOR				D1061	1SS133-T2	SI,DIODE		
	CN711	QGB2510J1-10	CONNECTOR				FT111	QNG0020-001Z	FUSE CLIP		
	CN712	QGB2510J1-10	CONNECTOR				FT112	QNG0020-001Z	FUSE CLIP		
	CN870	QGB1214J1-20S	CONNECTOR				FT131	QNG0020-001Z	FUSE CLIP		U
	CN871	QGB1214J1-20S	CONNECTOR				FT132	QNG0020-001Z	FUSE CLIP		U
	CN912	QGD2503F1-05	SOCKET		U		FT511	QNG0020-001Z	FUSE CLIP		
	C1021	QDYB1CM-103Y	C CAPACITOR		U		FT512	QNG0020-001Z	FUSE CLIP		
	C1022	QDGB1HK-102Y	C CAPACITOR		U		FT521	QNG0020-001Z	FUSE CLIP		
	C1023	QDGB1HK-102Y	C CAPACITOR		U		FT522	QNG0020-001Z	FUSE CLIP		
	C1034	QFVJ1HJ-104Z	TF CAPACITOR	.10MF 5% 50V	U		FW431	QUM156-14Z4Z4	FLAT WIRE		
	C1035	EETC1AM-107ZJC	E CAPACITOR		U		FW703	QUM15A-14BFZ4	FLAT WIRE		
	C1036	QCBB1HK-101Y	C CAPACITOR	100PF 10% 50V	U		FW704	QUM154-15BFZ4	FLAT WIRE		
	C1037	QDYB1CM-103Y	C CAPACITOR		U		FW705	QUM156-11Z4Z4	FLAT WIRE		
	C1038	QDXB1CM-472Y	C CAPACITOR		U		FW902	QUM155-32BFZ4	FLAT WIRE		U
	C1039	QDYB1CM-103Y	C CAPACITOR		U		IC436	TDA7439	IC		
	C1040	QDXB1CM-332Y	C CAPACITOR		U		IC466	BA3837	IC(VOCALFADER)		U
	C1041	QDYB1CM-103Y	C CAPACITOR		U		IC481	BA15218	IC		
	C1042	EETC1EM-226ZJC	E CAPACITOR		U		IC501	BA15218	IC		
	C1043	QFVJ1HJ-474Z	CAPACITOR	.47MF 5% 50V	U		IC502	BA15218	IC		
	C1044	QDYB1CM-103Y	C CAPACITOR		U		IC526	BA15218	IC		
	C1045	QETN1HM-225Z	E CAPACITOR	2.2MF 20% 50V	U		IC546	BA15218	IC		
	C1061	QETN1AM-227Z	E CAPACITOR	220MF 20% 10V			IC571	BA15218	IC		
	C1062	EETC1AM-107ZJC	E CAPACITOR			▲	IC701	STK412-020	IC(HYBRID)		C,J
	C1063	EETC1AM-475ZJC	E CAPACITOR			▲	IC701	STK412-010	IC(HYBRID)		U,B,E,EN
	C1064	QCBB1HK-151Y	C CAPACITOR	150PF 10% 50V			IC901	NJM4580L	IC		U
	C1065	QCBB1HK-151Y	C CAPACITOR	150PF 10% 50V			IC902	BU9253AS	IC		U
	C1066	QCBB1HK-331Y	C CAPACITOR	330PF 10% 50V			J 81	QNB0098-001	SPK TERMINAL		
	C1067	QETN1HM-225Z	AL E.CAPACITOR	2.2MF 20% 50V			J 411	QNN0132-001	PIN JACK		
	C1068	QETN1HM-224Z	AL E.CAPACITOR	.22MF 20% 50V			J 426	GP1FA550TZ	OPT TRANSMITTER		
	C1069	QETN1HM-475Z	AL E.CAPACITOR	4.7MF 20% 50V			J1021	QNS0080-001	6.3 JACK		U
▲	D 201	1N5402M-20	DIODE				J1022	QNS0080-001	6.3 JACK		U
▲	D 202	1N5402M-20	DIODE				L 401	QQR0779-001Z	INDUCTOR		B,E,EN
▲	D 203	1N5402M-20	DIODE				L 701	QQLZ005-R45	INDUCTOR		
▲	D 204	1N5402M-20	DIODE				L 702	QQLZ005-R45	INDUCTOR		
▲	D 211	30DF2-FC	DIODE				Q 201	KTA1023/OY/-T	TRANSISTOR		
▲	D 212	30DF2-FC	DIODE				Q 203	KRC107M-T	TRANSISTOR		
▲	D 213	30DF2-FC	DIODE				Q 204	KTC3199/GL/-T	SI,TRANSISTOR		
▲	D 214	30DF2-FC	DIODE				Q 240	KTC3199/GL/-T	TRANSISTOR		
▲	D 217	1N4003S-T5	SI DIODE				Q 401	2SC3576-JVC-T	TRANSISTOR		
▲	D 218	1N4003S-T5	SI DIODE				Q 402	2SC3576-JVC-T	TRANSISTOR		
	D 219	MTZJ33C-T2	Z DIODE				Q 411	2SC3576-JVC-T	TRANSISTOR		
	D 220	MTZJ9.1B-T2	ZENER DIODE				Q 412	2SC3576-JVC-T	TRANSISTOR		
	D 221	MTZJ5.1B-T2	ZENER DIODE				Q 413	KRA102M-T	D,TRANSISTOR		
	D 223	1SS133-T2	SI DIODE				Q 481	2SC3576-JVC-T	TRANSISTOR		
▲	D 227	1N4003S-T5	SI DIODE				Q 482	2SC3576-JVC-T	TRANSISTOR		
▲	D 233	2A02-M	DIODE				Q 483	KRA102M-T	D,TRANSISTOR		
▲	D 234	2A02-M	DIODE				Q 556	2SC3576-JVC-T	D,TRANSISTOR		
	D 411	1SS133-T2	SI DIODE				Q 557	2SC3576-JVC-T	TRANSISTOR		
	D 412	1SS133-T2	SI DIODE				Q 558	2SC3576-JVC-T	D,TRANSISTOR		
	D 413	1SS133-T2	SI DIODE				Q 559	2SC3576-JVC-T	TRANSISTOR		
	D 414	1SS133-T2	SI DIODE				Q 562	2SC3576-JVC-T	SI,TRANSISTOR		
	D 426	MTZJ5.1B-T2	ZENER DIODE				Q 571	2SC2785/FE/-T	TRANSISTOR		
	D 431	MTZJ2.4B-T2	ZENER DIODE				Q 572	2SC2785/FE/-T	TRANSISTOR		
	D 432	MTZJ2.4B-T2	ZENER DIODE				Q 573	2SC2785/FE/-T	TRANSISTOR		
	D 433	MTZJ2.4B-T2	ZENER DIODE				Q 701	KTA1268/GL/-T	TRANSISTOR		
	D 434	MTZJ5.1B-T2	ZENER DIODE				Q 702	KTA1268/GL/-T	TRANSISTOR		
	D 501	1SS133-T2	SI DIODE				Q 710	2SA965/OY/-T	SI,TRANSISTOR		
	D 502	1SS133-T2	SI DIODE				Q 711	KTC3200/GL/-T	TRANSISTOR		
	D 571	1SS133-T2	SI DIODE				Q 712	KTA1268/GL/-T	TRANSISTOR		
	D 572	1SS133-T2	SI DIODE				Q 713	2SC2235/OY/-T	D,TRANSISTOR		
	D 703	MTZJ15C-T2	Z DIODE				Q 726	2SC2389S/SE/-T	SI,TRANSISTOR		
	D 704	MTZJ15C-T2	Z DIODE				Q 727	KTA1268/GL/-T	TRANSISTOR		
	D 719	1SS133-T2	SI DIODE				Q 728	KTC3199/GL/-T	TRANSISTOR		

MX-J900/MX-J950R

■ Electrical parts list (Power AMP. & Source select board) Block No. 01

△	Item	Parts number	Parts name	Remarks	Area	△	Item	Parts number	Parts name	Remarks	Area
	Q 733	2SC3576-JVC-T	TRANSISTOR				R 486	QRE141J-563Y	C RESISTOR	56K 5% 1/4W	
	Q 734	2SC3576-JVC-T	TRANSISTOR				R 487	QRE141J-823	C RESISTOR	82K 5% 1/4W	
	Q 735	2SC3576-JVC-T	TRANSISTOR				R 488	QRE141J-823	C RESISTOR	82K 5% 1/4W	
	Q 736	2SC3576-JVC-T	TRANSISTOR				R 489	QRE141J-223Y	C RESISTOR	22K 5% 1/4W	
	Q 737	2SA1038S/SE/-T	SI.TRANSISTOR				R 490	QRE141J-223Y	C RESISTOR	22K 5% 1/4W	
	Q 790	KTC3199/GL/-T	TRANSISTOR				R 491	QRE141J-472Y	C RESISTOR	4.7K 5% 1/4W	
	Q 791	KTC3199/GL/-T	TRANSISTOR				R 492	QRE141J-472Y	C RESISTOR	4.7K 5% 1/4W	
	Q 792	KTC3203/OY/-T	TRANSISTOR				R 493	QRE141J-103Y	C RESISTOR	10K 5% 1/4W	
	Q1021	KRA111M-T	D.TRANSISTOR		U		R 494	QRE141J-103Y	C RESISTOR	10K 5% 1/4W	
	Q1022	KRA111M-T	D.TRANSISTOR		U		R 495	QRE141J-101Y	C RESISTOR	100 5% 1/4W	
	Q1023	KRA111M-T	D.TRANSISTOR		U		R 496	QRE141J-102Y	C RESISTOR	1.0K 5% 1/4W	
	Q1061	2SD2144S/VW/-T	SI.TRANSISTOR				R 498	QRE141J-101Y	C RESISTOR	100 5% 1/4W	
△	R 202	QRZ9042-2R2X	UNF.C.RES 1/M	2.2 1/0W	J		R 501	QRE141J-332Y	C RESISTOR	3.3K 5% 1/4W	
	R 203	QRE141J-302Y	C RESISTOR	3.0K 5% 1/4W			R 502	QRE141J-332Y	C RESISTOR	3.3K 5% 1/4W	
	R 204	QRE141J-223Y	C RESISTOR	22K 5% 1/4W			R 503	QRE141J-303Y	C RESISTOR	30K 5% 1/4W	
	R 205	QRE141J-104Y	C RESISTOR	100K 5% 1/4W			R 504	QRE141J-104Y	C RESISTOR	100K 5% 1/4W	
	R 206	QRE141J-562Y	C RESISTOR	5.6K 5% 1/4W			R 505	QRE141J-223Y	C RESISTOR	22K 5% 1/4W	
	R 207	QRE141J-103Y	C RESISTOR	10K 5% 1/4W			R 506	QRE141J-223Y	C RESISTOR	22K 5% 1/4W	
	R 209	QRE141J-103Y	C RESISTOR	10K 5% 1/4W			R 507	QRE141J-303Y	C RESISTOR	30K 5% 1/4W	
	R 215	QRE141J-473Y	C RESISTOR	47K 5% 1/4W			R 508	QRE141J-224Y	C RESISTOR	220K 5% 1/4W	
	R 216	QRE141J-473Y	C RESISTOR	47K 5% 1/4W			R 509	QRE141J-101Y	C RESISTOR	100 5% 1/4W	
	R 217	QRE141J-275Y	C RESISTOR	2.7M 5% 1/4W			R 510	QRE141J-104Y	C RESISTOR	100K 5% 1/4W	
	R 218	QRE141J-273Y	C RESISTOR	27K 5% 1/4W			R 511	QRE141J-104Y	C RESISTOR	100K 5% 1/4W	
△	R 233	QRK126J-470X	C RESISTOR	47 5% 1/2W			R 512	QRE141J-224Y	C RESISTOR	220K 5% 1/4W	
△	R 234	QRK126J-470X	C RESISTOR	47 5% 1/2W			R 513	QRE141J-224Y	C RESISTOR	220K 5% 1/4W	
	R 242	QRE141J-103Y	C RESISTOR	10K 5% 1/4W			R 516	QRE141J-104Y	C RESISTOR	100K 5% 1/4W	
△	R 246	QRK126J-1R0X	UNF.MF.RESISTOR	1.0 5% 1/2W			R 517	QRE141J-563Y	C RESISTOR	56K 5% 1/4W	
△	R 247	QRK126J-1R0X	UNF.MF.RESISTOR	1.0 5% 1/2W			R 518	QRE141J-104Y	C RESISTOR	100K 5% 1/4W	
	R 401	QRE141J-102Y	C RESISTOR	1.0K 5% 1/4W			R 519	QRE141J-104Y	C RESISTOR	100K 5% 1/4W	
	R 402	QRE141J-102Y	C RESISTOR	1.0K 5% 1/4W			R 520	QRE141J-101Y	C RESISTOR	100 5% 1/4W	
	R 403	QRE141J-472Y	C RESISTOR	4.7K 5% 1/4W			R 521	QRE141J-101Y	C RESISTOR	100 5% 1/4W	
	R 404	QRE141J-472Y	C RESISTOR	4.7K 5% 1/4W			R 522	QRE141J-101Y	C RESISTOR	100 5% 1/4W	
	R 405	QRE141J-222Y	C RESISTOR	2.2K 5% 1/4W			R 523	QRE141J-822Y	C RESISTOR	8.2K 5% 1/4W	
	R 406	QRE141J-222Y	C RESISTOR	2.2K 5% 1/4W			R 524	QRE141J-182Y	C RESISTOR	1.8K 5% 1/4W	
	R 407	QRE141J-272Y	C RESISTOR	2.7K 5% 1/4W			R 526	QRE141J-101Y	C RESISTOR	100 5% 1/4W	
	R 411	QRE141J-203Y	C RESISTOR	20K 5% 1/4W			R 528	QRE141J-182Y	C RESISTOR	1.8K 5% 1/4W	
	R 412	QRE141J-203Y	C RESISTOR	20K 5% 1/4W			R 529	QRE141J-223Y	C RESISTOR	22K 5% 1/4W	
	R 413	QRE141J-683Y	C RESISTOR	68K 5% 1/4W			R 530	QRE141J-562Y	C RESISTOR	5.6K 5% 1/4W	
	R 414	QRE141J-683Y	C RESISTOR	68K 5% 1/4W			R 532	QRE141J-223Y	C RESISTOR	22K 5% 1/4W	
	R 415	QRE141J-201Y	C RESISTOR	200 5% 1/4W			R 534	QRE141J-224Y	C RESISTOR	220K 5% 1/4W	
	R 416	QRE141J-201Y	C RESISTOR	200 5% 1/4W			R 536	QRE141J-123Y	C RESISTOR	12K 5% 1/4W	
	R 417	QRE141J-222Y	C RESISTOR	2.2K 5% 1/4W			R 537	QRE141J-101Y	C RESISTOR	100 5% 1/4W	
	R 418	QRE141J-222Y	C RESISTOR	2.2K 5% 1/4W			R 541	QRE141J-223Y	C RESISTOR	22K 5% 1/4W	
	R 419	QRE141J-103Y	C RESISTOR	10K 5% 1/4W			R 552	QRE141J-153Y	C RESISTOR	15K 5% 1/4W	
	R 420	QRE141J-103Y	C RESISTOR	10K 5% 1/4W			R 556	QRE141J-153Y	C RESISTOR	15K 5% 1/4W	
	R 421	QRE141J-223Y	C RESISTOR	22K 5% 1/4W			R 557	QRE141J-152Y	C RESISTOR	1.5K 5% 1/4W	
	R 426	QRE141J-391Y	C RESISTOR	390 5% 1/4W			R 558	QRE141J-472Y	C RESISTOR	4.7K 5% 1/4W	
	R 431	QRE141J-303Y	C RESISTOR	30K 5% 1/4W			R 559	QRE141J-133Y	C RESISTOR	13K 5% 1/4W	
	R 432	QRE141J-303Y	C RESISTOR	30K 5% 1/4W			R 560	QRE141J-303Y	C RESISTOR	30K 5% 1/4W	
	R 434	QRJ146J-4R7X	UNF.C.RESISTOR	4.7 5% 1/4W			R 562	QRE141J-103Y	C RESISTOR	10K 5% 1/4W	
	R 435	QRE141J-103Y	C RESISTOR	10K 5% 1/4W			R 563	QRE141J-223Y	C RESISTOR	22K 5% 1/4W	
	R 436	QRE141J-103Y	C RESISTOR	10K 5% 1/4W			R 564	QRE141J-223Y	C RESISTOR	22K 5% 1/4W	
	R 437	QRE141J-102Y	C RESISTOR	1.0K 5% 1/4W			R 565	QRE141J-223Y	C RESISTOR	22K 5% 1/4W	
	R 438	QRE141J-272Y	C RESISTOR	2.7K 5% 1/4W			R 571	QRE141J-271Y	C RESISTOR	270 5% 1/4W	
	R 439	QRE141J-562Y	C RESISTOR	5.6K 5% 1/4W			R 572	QRE141J-473Y	C RESISTOR	47K 5% 1/4W	
	R 440	QRE141J-562Y	C RESISTOR	5.6K 5% 1/4W			R 573	QRE141J-101Y	C RESISTOR	100 5% 1/4W	
	R 441	QRE141J-272Y	C RESISTOR	2.7K 5% 1/4W			R 575	QRE141J-473Y	C RESISTOR	47K 5% 1/4W	
	R 442	QRE141J-103Y	C RESISTOR	10K 5% 1/4W			R 576	QRE141J-104Y	C RESISTOR	100K 5% 1/4W	
	R 443	QRE141J-104Y	C RESISTOR	100K 5% 1/4W	C,J		R 577	QRE141J-104Y	C RESISTOR	100K 5% 1/4W	
	R 443	QRE141J-104Y	C RESISTOR	100K 5% 1/4W	B,E,EN		R 579	QRE141J-823Y	C RESISTOR	82K 5% 1/4W	
	R 444	QRE141J-104Y	C RESISTOR	100K 5% 1/4W	B,E,EN		R 580	QRE141J-222Y	C RESISTOR	2.2K 5% 1/4W	
	R 444	QRE141J-104Y	C RESISTOR	100K 5% 1/4W	C,J		R 581	QRE141J-224Y	C RESISTOR	220K 5% 1/4W	
	R 466	QRE141J-201Y	C RESISTOR	200 5% 1/4W	U		R 582	QRE141J-101Y	C RESISTOR	100 5% 1/4W	
	R 467	QRE141J-203Y	C RESISTOR	20K 5% 1/4W	U		R 583	QRE141J-101Y	C RESISTOR	100 5% 1/4W	
	R 468	QRE141J-203Y	C RESISTOR	20K 5% 1/4W	U		R 591	QRE141J-101Y	C RESISTOR	100 5% 1/4W	
	R 469	QRE141J-562Y	C RESISTOR	5.6K 5% 1/4W	U		R 701	QRJ146J-470X	C RESISTOR	47 5% 1/4W	
	R 470	QRE141J-562Y	C RESISTOR	5.6K 5% 1/4W	U		R 702	QRJ146J-470X	C RESISTOR	47 5% 1/4W	
	R 471	QRE141J-223Y	C RESISTOR	22K 5% 1/4W	U		R 703	QRE141J-563Y	C RESISTOR	56K 5% 1/4W	
	R 472	QRE141J-102Y	C RESISTOR	1.0K 5% 1/4W	U		R 704	QRE141J-563Y	C RESISTOR	56K 5% 1/4W	
	R 473	QRE141J-682Y	C RESISTOR	6.8K 5% 1/4W			R 705	QRJ146J-821X	UNF.C.RESISTOR	820 5% 1/4W	
	R 474	QRE141J-513Y	C RESISTOR	51K 5% 1/4W			R 706	QRJ146J-821X	UNF.C.RESISTOR	820 5% 1/4W	
	R 475	QRE141J-101Y	C RESISTOR	100 5% 1/4W			R 707	QRE141J-563Y	C RESISTOR	56K 5% 1/4W	
	R 485	QRE141J-563Y	C RESISTOR	56K 5% 1/4W			R 708	QRE141J-563Y	C RESISTOR	56K 5% 1/4W	

■ Electrical parts list (Power AMP. & Source select board) Block No. 01

△	Item	Parts number	Parts name	Remarks	Area	△	Item	Parts number	Parts name	Remarks	Area
	R 713	QRJ146J-100X	UNF.C RESISTOR	10 5% 1/4W			R1063	QRE141J-391Y	C RESISTOR	390 5% 1/4W	
	R 714	QRJ146J-100X	UNF.C RESISTOR	10 5% 1/4W			R1064	QRE141J-152Y	C RESISTOR	1.5K 5% 1/4W	
	R 715	QRJ146J-100X	UNF.C RESISTOR	10 5% 1/4W			R1065	QRE141J-101Y	C RESISTOR	100 5% 1/4W	
	R 716	QRJ146J-100X	UNF.C RESISTOR	10 5% 1/4W			R1066	QRE141J-475Y	C RESISTOR	4.7M 5% 1/4W	
	R 717	QRE141J-102Y	C RESISTOR	1.0K 5% 1/4W			R1067	QRE141J-560Y	C RESISTOR	56 5% 1/4W	
	R 718	QRE141J-102Y	C RESISTOR	1.0K 5% 1/4W			R1068	QRE141J-203Y	C RESISTOR	20K 5% 1/4W	
	R 719	QRE141J-562Y	C RESISTOR	5.6K 5% 1/4W			R1069	QRE141J-102Y	C RESISTOR	1.0K 5% 1/4W	
	R 720	QRE141J-562Y	C RESISTOR	5.6K 5% 1/4W			R1070	QRE141J-561Y	C RESISTOR	560 5% 1/4W	
	R 721	QRE141J-103Y	C RESISTOR	10K 5% 1/4W			R1071	QRE141J-472Y	C RESISTOR	4.7K 5% 1/4W	
	R 722	QRE141J-103Y	C RESISTOR	10K 5% 1/4W			R1072	QRE141J-472Y	C RESISTOR	4.7K 5% 1/4W	
	R 723	QRE141J-152Y	C RESISTOR	1.5K 5% 1/4W			R1073	QRE141J-103Y	C RESISTOR	10K 5% 1/4W	
	R 724	QRE141J-152Y	C RESISTOR	1.5K 5% 1/4W			R1074	QRE141J-152Y	C RESISTOR	1.5K 5% 1/4W	
	R 725	QRE141J-823Y	C RESISTOR	82K 5% 1/4W			S 500	QSW0812-001	VOLTAGE SWITCH		U
	R 726	QRE141J-104Y	C RESISTOR	100K 5% 1/4W			SP434	E3400-431	FELT SPACER		
	R 727	QRE141J-104Y	C RESISTOR	100K 5% 1/4W			SP556	E3400-431	FELT SPACER		
	R 728	QRE141J-103Y	C RESISTOR	10K 5% 1/4W			SP738	E3400-431	FELT SPACER		
	R 729	QRE141J-104Y	C RESISTOR	100K 5% 1/4W			TB101	QNZ0079-001Z	TAB		
	R 730	QRE141J-103Y	C RESISTOR	10K 5% 1/4W			TB102	QNZ0079-001Z	TAB		
△	R 731	QRJ146J-4R7X	UNF.C.RESISTOR	4.7 5% 1/4W			VR901	QVQ0045-B54	V RESISTOR		U
△	R 732	QRJ146J-4R7X	UNF.C.RESISTOR	4.7 5% 1/4W							
	R 733	QRE141J-472Y	C RESISTOR	4.7K 5% 1/4W							
	R 734	QRE141J-472Y	C RESISTOR	4.7K 5% 1/4W							
	R 735	QRE141J-472Y	C RESISTOR	4.7K 5% 1/4W							
	R 736	QRE141J-472Y	C RESISTOR	4.7K 5% 1/4W							
	R 738	QRE141J-102Y	C RESISTOR	1.0K 5% 1/4W							
	R 739	QRL01DJ-821X	OMF RESISTOR	820 5% 1/1W							
	R 740	QRL01DJ-821X	OMF RESISTOR	820 5% 1/1W							
	R 750	QRJ146J-151X	CARBON RESISTOR	150 5% 1/4W							
	R 753	QRZ0196-R22	EMIT.RESISTOR	1/1W							
	R 754	QRZ0196-R22	EMIT.RESISTOR	1/1W							
	R 761	QRE141J-102Y	C RESISTOR	1.0K 5% 1/4W							
	R 762	QRE141J-102Y	C RESISTOR	1.0K 5% 1/4W							
	R 766	QRE141J-333Y	C RESISTOR	33K 5% 1/4W							
	R 768	QRE141J-104Y	C RESISTOR	100K 5% 1/4W							
	R 769	QRE141J-222Y	C RESISTOR	2.2K 5% 1/4W							
△	R 774	QRJ146J-100X	UNF.C RESISTOR	10 5% 1/4W							
	R 775	QRE141J-102Y	C RESISTOR	1.0K 5% 1/4W							
	R 776	QRE141J-102Y	C RESISTOR	1.0K 5% 1/4W							
	R 777	QRE141J-103Y	CARBON RESISTOR	10K 5% 1/4W							
	R 778	QRE141J-103Y	CARBON RESISTOR	10K 5% 1/4W							
	R 781	QRE141J-562Y	C RESISTOR	5.6K 5% 1/4W							
	R 786	QRE141J-103Y	CARBON RESISTOR	10K 5% 1/4W							
	R 787	QRE141J-103Y	CARBON RESISTOR	10K 5% 1/4W							
	R 790	QRE141J-103Y	C RESISTOR	10K 5% 1/4W							
	R 791	QRE141J-103Y	C RESISTOR	10K 5% 1/4W							
	R 792	QRE141J-102Y	C RESISTOR	1.0K 5% 1/4W							
	R 793	QRE141J-104Y	C RESISTOR	100K 5% 1/4W							
	R 794	QRE141J-103Y	C RESISTOR	10K 5% 1/4W							
	R 795	QRE141J-103Y	C RESISTOR	10K 5% 1/4W							
	R 796	QRE141J-682Y	C RESISTOR	6.8K 5% 1/4W							
	R 797	QRE141J-203Y	C RESISTOR	20K 5% 1/4W							
	R 798	QRJ146J-100X	UNF.C RESISTOR	10 5% 1/4W							
	RY 1	QSK0057-001	RELAY								
	R1001	QRZ9044-335	COMP.RESISTOR	3.3M 1/0W	C,J						
	R1021	QRE141J-472Y	C RESISTOR	4.7K 5% 1/4W	U						
	R1022	QRE141J-472Y	C RESISTOR	4.7K 5% 1/4W	U						
	R1031	QRE141J-203Y	C RESISTOR	20K 5% 1/4W	U						
	R1032	QRE141J-203Y	C RESISTOR	20K 5% 1/4W	U						
	R1033	QRE141J-822Y	C RESISTOR	8.2K 5% 1/4W	U						
	R1034	QRE141J-103Y	C RESISTOR	10K 5% 1/4W	U						
	R1035	QRE141J-333Y	C RESISTOR	33K 5% 1/4W	U						
	R1036	QRE141J-392Y	C RESISTOR	3.9K 5% 1/4W	U						
	R1037	QRE141J-153Y	C RESISTOR	15K 5% 1/4W	U						
	R1038	QRE141J-472Y	C RESISTOR	4.7K 5% 1/4W	U						
	R1039	QRE141J-103Y	C RESISTOR	10K 5% 1/4W	U						
	R1040	QRE141J-272Y	C RESISTOR	2.7K 5% 1/4W	U						
	R1041	QRE141J-203Y	C RESISTOR	20K 5% 1/4W	U						
	R1042	QRE141J-221Y	C RESISTOR	220 5% 1/4W	U						
	R1043	QRE141J-203Y	C RESISTOR	20K 5% 1/4W	U						
	R1044	QRE141J-562Y	C RESISTOR	5.6K 5% 1/4W	U						
	R1045	QRE141J-102Y	C RESISTOR	1.0K 5% 1/4W	U						
	R1061	QRE141J-103Y	C RESISTOR	10K 5% 1/4W							
	R1062	QRE141J-123Y	C RESISTOR	12K 5% 1/4W							

MX-J900/MX-J950R

■ Electrical parts list (System control board)

Block No. 02

▲	Item	Parts number	Parts name	Remarks	Area	▲	Item	Parts number	Parts name	Remarks	Area
C 360	QTE1C06-476Z	E CAPACITOR				C 872	EETC1HM-224ZJC	E CAPACITOR			
C 361	QDYB1CM-103Y	C CAPACITOR				C 873	EETC1HM-224ZJC	E CAPACITOR			
C 362	EETC1HM-226ZJC	E CAPACITOR				C 874	QFVJ1HJ-104Z	TF CAPACITOR	.10MF 5% 50V		
C 366	EETC1HM-226ZJC	E CAPACITOR				C 875	QFVJ1HJ-104Z	TF CAPACITOR	.10MF 5% 50V		
C 367	QDYB1CM-103Y	C CAPACITOR				C 876	EETC1HM-105ZJC	E CAPACITOR			
C 370	QDYB1CM-103Y	C CAPACITOR				C 877	QDGB1HK-681Y	C CAPACITOR			
C 371	EETC1HM-226ZJC	E CAPACITOR				C 878	QDXB1CM-182Y	C CAPACITOR			
C 372	EETC1HM-226ZJC	E CAPACITOR				C 879	QCSB1HJ-330Y	C CAPACITOR	33PF 5% 50V		
C 373	QDYB1CM-103Y	C CAPACITOR				C 880	QFLM1HJ-153Z	M CAPACITOR	.015MF 5% 50V		
C 374	EETC1HM-226ZJC	E CAPACITOR				C 881	QETN1EM-106Z	E.CAPACITOR	10MF 20% 25V		
C 601	QCF31HZ-223Z	C CAPACITOR	.022MF +80:-20%			C 882	QETN1EM-106Z	E.CAPACITOR	10MF 20% 25V		
C 602	QCF31HZ-223Z	C CAPACITOR	.022MF +80:-20%			C 883	QFVJ1HJ-104Z	TF CAPACITOR	.10MF 5% 50V		
C 603	QCBB1HK-151Y	C CAPACITOR	150PF 10% 50V			C 884	QETN1AM-227Z	E CAPACITOR	220MF 20% 10V		
C 604	QCBB1HK-151Y	C CAPACITOR	150PF 10% 50V			C 885	QFLM1HJ-103Z	M CAPACITOR	.010MF 5% 50V		
C 605	QCBB1HK-221Y	C CAPACITOR	220PF 10% 50V			C 886	QFLM1HJ-103Z	M CAPACITOR	.010MF 5% 50V		
C 606	QCBB1HK-221Y	C CAPACITOR	220PF 10% 50V			C 887	QFVJ1HJ-104Z		.10MF 5% 50V		
C 607	QETN1JM-476Z	E CAPACITOR	47MF 20% 63V			C 889	EETC1HM-105ZJC	E CAPACITOR			
C 608	QETN1JM-476Z	E CAPACITOR	47MF 20% 63V			C 890	QDGB1HK-102Y	C CAPACITOR			
C 609	QCSB1HJ-100Y	C CAPACITOR	10PF 5% 50V			C 950	QDYB1CM-103Y	C.CAPACITOR			
C 610	QCSB1HJ-100Y	C CAPACITOR	10PF 5% 50V			C 951	QDYB1CM-103Y	C.CAPACITOR			
C 611	QETN1HM-476Z	E CAPACITOR	47MF 20% 50V			C 991	QDYB1CM-103Y	C CAPACITOR			
C 612	QETN1HM-476Z	E CAPACITOR	47MF 20% 50V			C 992	QDYB1CM-103Y	C CAPACITOR			
C 613	QFLM1HJ-473Z	M CAPACITOR	.047MF 5% 50V	C,U		CN602	QGB2510K2-11	CONNECTOR			
C 613	QFLM1HJ-473Z	M CAPACITOR	.047MF 5% 50V	B,E,EN		CN713	VMC0107-R10	CONN.TERMINAL			
C 614	QFLM1HJ-473Z	M CAPACITOR	.047MF 5% 50V	B,E,EN		CN815	QGD2504C1-03Z	WIRE TRAP CONNE			
C 614	QFLM1HJ-473Z	M CAPACITOR	.047MF 5% 50V	C,U		CN850	QGD2504C1-03Z	WIRE TRAP CONNE			
C 615	QFLM1HJ-473Z	M CAPACITOR	.047MF 5% 50V	C,U		CN851	QGD2504C1-04Z	WIRE TRAP CONNE			
C 615	QFLM1HJ-473Z	M CAPACITOR	.047MF 5% 50V	B,E,EN		CN860	QGF1214K1-20S	CONNECTOR			
C 616	QFLM1HJ-473Z	TF CAPACITOR	.047MF 5% 50V	B,E,EN		CN861	QGB1214K1-20S	CONNECTOR			
C 616	QFLM1HJ-473Z	M CAPACITOR	.047MF 5% 50V	C,U		CN862	QGD2504C1-03Z	WIRE TRAP CONNE			
C 617	QFLM1HJ-473Z	M CAPACITOR	.047MF 5% 50V	J		CN863	QGD2504C1-03Z	WIRE TRAP CONNE			
C 618	QFLM1HJ-473Z	M CAPACITOR	.047MF 5% 50V	J		CN865	QGF1205C1-09	CONNECTOR			C,J,U
C 621	QTE1V06-106Z	E CAPACITOR				CN865	QGF1205C1-13	CONNECTOR			B,E,EN
C 622	QTE1V06-106Z	E CAPACITOR				CN867	QGA2501C1-02	2P CONNECTOR			
C 623	QTE1V06-106Z	E CAPACITOR				CN868	QGF1016C1-19	CONNECTOR			
C 624	QTE1V06-106Z	E CAPACITOR				CN869	QGF1205C1-11	CONNECTOR			
C 639	QFLM1HJ-103Z	M CAPACITOR	.010MF 5% 50V			CN879	QGF1031C1-09S	FFC/FPC CONNE			
C 651	QDXB1CM-222Y	C CAPACITOR				CN880	QGF1205C1-11	CONNECTOR			
C 652	QDXB1CM-222Y	C CAPACITOR				CN883	QGD2504C1-03Z	WIRE TRAP CONNE			
C 653	QFVJ1HJ-104Z	TF CAPACITOR	.10MF 5% 50V			CN884	QGD2504C1-03Z	WIRE TRAP CONNE			
C 654	QFVJ1HJ-104Z	TF CAPACITOR	.10MF 5% 50V			CN900	QGD2504C1-04Z	WIRE TRAP CONNE			
C 655	QFLM1HJ-393Z	M CAPACITOR	.039MF 5% 50V			CN901	QGD2504C1-04Z	WIRE TRAP CONNE			
C 656	QFLM1HJ-393Z	M CAPACITOR	.039MF 5% 50V			CN905	QGF1205C1-11	CONN.TERMINAL			
C 680	EETC1HM-224ZJC	E CAPACITOR				CN906	QGF1205C1-11	CONN.TERMINAL			
C 683	QFLM1HJ-823Z	M CAPACITOR	.082MF 5% 50V			CN979	QGF1016F1-09	CONNECTOR			
C 801	QFLM1HJ-103Z	M CAPACITOR	.010MF 5% 50V			CN990	QGF1205F1-11	CONNECTOR			
C 803	QETN0JM-477Z	E CAPACITOR	470MF 20% 6.3V			C1001	QDXB1CM-392Y	C CAPACITOR			B,E,EN
C 804	QETN0JM-477Z	E CAPACITOR	470MF 20% 6.3V			C1002	QDXB1CM-392Y	C CAPACITOR			B,E,EN
C 805	QDGB1HK-102Y	C CAPACITOR				C1003	QDGB1HK-102Y	C CAPACITOR			
C 806	QDGB1HK-102Y	C CAPACITOR				C1004	QDGB1HK-102Y	C CAPACITOR			
C 807	QCSB1HJ-390Y	C CAPACITOR	39PF 5% 50V			C1005	QDGB1HK-102Y	C CAPACITOR			
C 808	QCSB1HJ-330Y	C CAPACITOR	33PF 5% 50V			C1006	QDGB1HK-102Y	C CAPACITOR			
C 809	QCSB1HJ-330Y	C CAPACITOR	33PF 5% 50V			D 360	MTZJ5.1B-T2	ZENER DIODE			
C 810	QCSB1HJ-390Y	C CAPACITOR	39PF 5% 50V			D 361	MTZJ11C-T2	Z DIODE			
C 811	QDGB1HK-102Y	C CAPACITOR				D 362	MTZJ6.8C-T2	Z DIODE			
C 812	QCSB1HJ-220Y	C CAPACITOR	22PF 5% 50V			D 365	MTZJ9.1B-T2	ZENER DIODE			
C 813	QCSB1HJ-270Y	C CAPACITOR	27PF 5% 50V			D 366	MTZJ11C-T2	Z.DIODE			
C 814	QETN0JM-108Z	AL E.CAPACITOR	1000MF 20% 6.3V			D 367	MTZJ10C-T2	Z.DIODE			
C 815	EETC1HM-226ZJC	E CAPACITOR				D 368	MTZJ11C-T2	Z.DIODE			
C 816	EETC1CM-476ZJC	E CAPACITOR				D 369	MTZJ10C-T2	Z.DIODE			
C 817	EETC1HM-226ZJC	E CAPACITOR				D 370	MTZJ11C-T2	Z.DIODE			
C 820	QCZ0205-155Z	ML C CAPACITOR	1.5MF			D 619	1SS133-T2	SI DIODE			
C 821	QDYB1CM-103Y	C CAPACITOR				D 620	1SS133-T2	SI DIODE			
C 823	QFVJ1HJ-334Z	TF CAPACITOR	.33MF 5% 50V			D 622	MTZJ9.1B-T2	ZENER DIODE			
C 831	QDYB1CM-103Y	C CAPACITOR				D 650	1SS133-T2	SI DIODE			
C 832	QDYB1CM-103Y	C CAPACITOR				D 680	MTZJ2.4B-T2	Z.DIODE			
C 834	EETC1HM-226ZJC	E.CAPACITOR				D 801	1N4003S-T5	SI DIODE			
C 835	QDGB1HK-102Y	C CAPACITOR				D 803	1SS119-02-T2	SI DIODE			
C 855	QETN0JM-227Z	E CAPACITOR	220MF 20% 6.3V			D 804	1SS133-T2	SI DIODE			
C 856	EETC1AM-107ZJC	E CAPACITOR				D 805	1SS133-T2	SI DIODE			
C 857	EETC1CM-476ZJC	E CAPACITOR				D 831	MTZJ5.1B-T2	ZENER DIODE			
C 870	QDGB1HK-103Y	C CAPACITOR				D 832	MTZJ5.1B-T2	ZENER DIODE			
C 871	EETC1HM-475ZJC	E CAPACITOR				D 853	MTZJ8.2C-T2	ZENER DIODE			

■ Electrical parts list (System control board)

Block No. 02

△	Item	Parts number	Parts name	Remarks	Area	△	Item	Parts number	Parts name	Remarks	Area
	D 871	1SS133-T2	SI DIODE				Q 680	2SK301/PQ/-T	TRANSISTOR(FET)		
	D 872	1SS133-T2	SI DIODE				Q 801	KTC3195/O/-T	TRANSISTOR		
	D 873	1SS133-T2	SI DIODE				Q 802	KTC3195/O/-T	TRANSISTOR		
	D 950	SLA-570JT3F	LED				Q 803	KRC102M-T	D.TRANSISTOR		
	D 951	SLA-570JT3F	LED				Q 804	KRC102M-T	D.TRANSISTOR		
	D 952	SLA-570JT3F	LED				Q 805	KRC102M-T	D.TRANSISTOR		
	D 953	SLA-570JT3F	LED				Q 806	KRC102M-T	D.TRANSISTOR		
	D 955	SLR-342MC-T	LED				Q 807	KRC102M-T	D.TRANSISTOR		
	D 956	SLR-342MC-T	LED				Q 808	KRC102M-T	D.TRANSISTOR		
	D 957	SLR-342MC-T	LED				Q 809	KRC102M-T	D.TRANSISTOR		
	D 958	SLR-342MC-T	LED				Q 810	KRC102M-T	D.TRANSISTOR		
	D 961	1SS133-T2	SI DIODE				Q 811	KRC102M-T	D.TRANSISTOR		
	D 962	SLA-370LT3F	LED	POWER LED			Q 830	KTC3199/GL/-T	TRANSISTOR		
	D 981	SLR-342MC-T	LED				Q 851	KTC3199/GL/-T	TRANSISTOR		
	D 982	SLR-342MC-T	LED				Q 870	2SA1175/HFE/-T	TRANSISTOR		
	D 983	SLR-342MC-T	LED				Q 871	KTC3199/GL/-T	TRANSISTOR		
	D 984	SLR-342MC-T	LED				Q 872	KRC107M-T	D.TRANSISTOR		
	D 991	SLA-570JT3F	LED				Q 873	KTC3199/GL/-T	TRANSISTOR		
	D 992	SLA-570JT3F	LED				Q 874	KTC3199/GL/-T	TRANSISTOR		
	D 993	SLA-570JT3F	LED				Q 875	KRC102M-T	D.TRANSISTOR		
	D 994	SLA-570JT3F	LED				Q 877	KRC114M-T	TRANSISTOR		
	EP201	E409182-001SM	GRAND TERMINAL				Q 878	KRA102M-T	D.TRANSISTOR		
	FL801	QLF0074-001	FL TUBE				Q 879	KRA102M-T	DIGI.TRANSISTOR		
	FW850	QUM153-06Z4Z4	FLAT WIRE				Q 880	KRA102M-T	DIGI.TRANSISTOR		
	FW862	QUM026-26DGZ4	PARA RIBON WIRE				Q 905	KRA107M-T	DIGI.TRANSISTOR		
	FW883	QUM026-26DGZ3	PARA RIBON WIRE				Q 906	KRA107M-T	DIGI.TRANSISTOR		
	FW915	QUM153-12BFZ4	FLAT WIRE				Q 950	KRC102M-T	D.TRANSISTOR		
	FW950	QUM157-11BFZ4	FLAT WIRE				Q 961	KRA102M-T	D.TRANSISTOR		
	FW951	QUM154-06Z4Z4	FLAT WIRE				Q 991	KRC102M-T	D.TRANSISTOR		
	FW952	QUM024-16DGZ4	WIRE				△ R 360	QRZ9042-2R2X	FUSI.RESISTOR	2.2 1/0W	B,E,EN
△	IC602	STK402-050	IC(HYBRID)		C,J	△ R 360	QRJ146J-150X	CARBON RESISTOR	15 5% 1/4W	J	
△	IC602	STK402-040	IC(HYBRID)		U,B,E,EN	△ R 360	QRZ9042-2R2X	F RESISTOR	2.2 1/0W	C,U	
	IC810	MN101C35DEA	IC(MCU)			△ R 361	QRZ9006-4R7X	F RESISTOR	4.7 1/0W	C,U	
	IC811	BU4094BC	IC			△ R 361	QRJ146J-150X	CARBON RESISTOR	15 5% 1/4W	J	
	IC812	BA3835S	IC			△ R 361	QRZ9006-4R7X	F RESISTOR	4.7 1/0W	B,E,EN	
	IC853	LB1641	IC			R 362	QRE141J-331Y	C RESISTOR	330 5% 1/4W		
	IC915	GP1U281X	IC			R 363	QRE141J-331Y	C RESISTOR	330 5% 1/4W		
	J 82	QNB0097-001	SPK.TERMINAL		C,J,U	R 364	QRE141J-122Y	C RESISTOR	1.2K 5% 1/4W		
	J 82	QNB0097-002	SPK TERMINAL		B,E,EN	R 365	QRE141J-201Y	C RESISTOR	200 5% 1/4W		
	JS950	QSW0857-001	ROTARY ENCODER			R 366	QRE141J-201Y	CARBON RESISTOR	200 5% 1/4W		
	JS992	QSW0857-001	ROTARY ENCODER			R 367	QRE141J-122Y	C RESISTOR	1.2K 5% 1/4W		
	J1001	QNS0159-001	3.5 JACK			R 368	QRE141J-331Y	C RESISTOR	330 5% 1/4W		
	L 601	QQLZ005-R45	INDUCTOR			R 372	QRE141J-4R7Y	C RESISTOR	4.7 5% 1/4W		
	L 602	QQLZ005-R45	INDUCTOR			△ R 373	QRZ9021-220	FUSI.RESISTOR	22 1/0W	J	
	L 801	QQL29BJ-100Z	INDUCTOR			△ R 374	QRZ9021-220	FUSI.RESISTOR	22 1/0W	J	
	L 802	QQL231K-220Y	INDUCTOR			R 376	QRE141J-221Y	C RESISTOR	220 5% 1/4W		
	L 803	QQL29BJ-100Z	INDUCTOR			R 377	QRE141J-561Y	C RESISTOR	560 5% 1/4W		
	L 805	QQL29BJ-100Z	INDUCTOR			R 378	QRE141J-152Y	C RESISTOR	1.5K 5% 1/4W		
	L 806	QQL29BJ-100Z	INDUCTOR			R 381	QRE141J-182Y	C RESISTOR	1.8K 5% 1/4W		
	L 807	QQR0779-001Z	INDUCTOR			R 382	QRE141J-221Y	C RESISTOR	220 5% 1/4W		
	L 851	QQL29BJ-100Z	INDUCTOR			△ R 383	QRZ9005-100X	F RESISTOR	10 1/0W	J	
	L 870	QQR0779-001Z	INDUCTOR			R 384	QRE141J-272Y	C RESISTOR	2.7K 5% 1/4W		
	L1001	QQL231K-470Y	INDUCTOR		B,E,EN	R 385	QRE141J-562Y	C RESISTOR	5.6K 5% 1/4W		
	L1002	QQL231K-470Y	INDUCTOR		B,E,EN	R 386	QRE141J-681Y	C RESISTOR	680 5% 1/4W		
	L1003	QQL231K-2R2Y	INDUCTOR			R 389	QRE141J-103Y	C RESISTOR	10K 5% 1/4W		
	Q 360	2SD2395/EF/	TRANSISTOR			△ R 392	QRZ9006-4R7X	F RESISTOR	4.7 1/0W	J	
	Q 361	KTC3199/GL/-T	TRANSISTOR			△ R 393	QRZ9006-4R7X	F RESISTOR	4.7 1/0W	J	
	Q 362	KTC3199/GL/-T	TRANSISTOR			△ R 394	QRZ9006-4R7X	F RESISTOR	4.7 1/0W	J	
	Q 366	2SD2395/EF/	TRANSISTOR			△ R 395	QRZ9042-2R2X	F.RESISTOR	2.2 1/0W	C,U	
	Q 367	KTA1267/YG/-T	TRANSISTOR			△ R 395	QRZ9042-2R2X	FUSI.RESISTOR	2.2 1/0W	B,E,EN	
	Q 368	KTC3199/GL/-T	TRANSISTOR			△ R 395	QRJ146J-4R7X	UNF.C.RESISTOR	4.7 5% 1/4W	J	
	Q 369	2SD2395/EF/	TRANSISTOR			△ R 396	QRZ9042-2R2X	F.RESISTOR	2.2 1/0W		
	Q 370	KTC3199/GL/-T	TRANSISTOR			R 601	QRJ146J-101X	C RESISTOR	100 5% 1/4W		
	Q 371	2SB1274/RS/	TRANSISTOR		C,J	R 602	QRJ146J-101X	C RESISTOR	100 5% 1/4W		
	Q 372	KTA1023/OY/-T	SI.TRANSISTOR		U	R 603	QRE141J-563Y	C RESISTOR	56K 5% 1/4W		
	Q 372	KTA1023/OY/-T	SI.TRANSISTOR		B,E,EN	R 604	QRE141J-563Y	C RESISTOR	56K 5% 1/4W		
	Q 373	KRA104M-T	D.TRANSISTOR			R 605	QRJ146J-122X	UNF.C.RESISTOR	1.2K 5% 1/4W		
	Q 374	KRC104M-T	D.TRANSISTOR			R 606	QRJ146J-122X	UNF.C.RESISTOR	1.2K 5% 1/4W		
	Q 375	KTA1267/YG/-T	TRANSISTOR			R 607	QRE141J-563Y	C RESISTOR	56K 5% 1/4W		
	Q 601	KTA1268/GL/-T	TRANSISTOR			R 608	QRE141J-563Y	C RESISTOR	56K 5% 1/4W		
	Q 602	KTA1268/GL/-T	TRANSISTOR			R 613	QRJ146J-100X	UNF.C RESISTOR	10 5% 1/4W		
	Q 612	KTA1267/YG/-T	TRANSISTOR			R 614	QRJ146J-100X	UNF.C RESISTOR	10 5% 1/4W		
	Q 613	KRC102M-T	D.TRANSISTOR			R 615	QRJ146J-100X	UNF.C RESISTOR	10 5% 1/4W		

MX-J900/MX-J950R

■ Electrical parts list (System control board)

Block No. 02

△	Item	Parts number	Parts name	Remarks	Area	△	Item	Parts number	Parts name	Remarks	Area
	R 616	QRJ146J-100X	UNF.C RESISTOR	10 5% 1/4W			R 848	QRE141J-331Y	C RESISTOR	1.0K 5% 1/4W	
	R 617	QRE141J-221Y	C RESISTOR	1.2K 5% 1/4W			R 849	QRE141J-102Y	C RESISTOR	1.0K 5% 1/4W	
	R 618	QRE141J-221Y	C RESISTOR	1.2K 5% 1/4W			R 850	QRE141J-681Y	CARBON RESISTOR	680 5% 1/4W	
	R 619	QRE141J-222Y	C RESISTOR	2.2K 5% 1/4W			R 851	QRE141J-391Y	C RESISTOR	390 5% 1/4W	
	R 620	QRE141J-222Y	C RESISTOR	2.2K 5% 1/4W			R 852	QRE141J-4R7Y	C RESISTOR	4.7 5% 1/4W	
	R 621	QRE141J-103Y	C RESISTOR	10K 5% 1/4W			R 853	QRZ9042-2R2X	F RESISTOR	2.2 1/0W	
	R 622	QRE141J-103Y	C RESISTOR	10K 5% 1/4W			R 855	QRE141J-243Y	C RESISTOR	24K 5% 1/4W	
	R 639	QRL01DJ-821X	OMF RESISTOR	820 5% 1/1W			R 856	QRE141J-100Y	C RESISTOR	10 5% 1/4W	
	R 640	QRL01DJ-821X	OMF RESISTOR	820 5% 1/1W			R 857	QRE141J-104Y	C RESISTOR	100K 5% 1/4W	
	R 641	QRJ146J-471X	UNF.C.RESISTOR	470 5% 1/4W	C,J		R 858	QRE141J-104Y	C RESISTOR	100K 5% 1/4W	
	R 641	QRJ146J-151X	CARBON RESISTOR	150 5% 1/4W	U		R 870	QRE141J-473Y	C RESISTOR	47K 5% 1/4W	
	R 641	QRJ146J-151X	CARBON RESISTOR	150 5% 1/4W	B,E,EN		R 871	QRE141J-102Y	C RESISTOR	1.0K 5% 1/4W	
△	R 650	QRJ146J-4R7X	UNF C.RESISTOR	4.7 5% 1/4W			R 872	QRE141J-103Y	C RESISTOR	10K 5% 1/4W	
△	R 651	QRJ146J-4R7X	UNF C.RESISTOR	4.7 5% 1/4W			R 873	QRE141J-103Y	C RESISTOR	10K 5% 1/4W	
	R 652	QRT01DJ-R22X	UNF.MF.RESISTOR	5% 1/1W			R 874	QRE141J-182Y	C RESISTOR	1.8K 5% 1/4W	
	R 653	QRT01DJ-R22X	UNF.MF.RESISTOR	5% 1/1W			R 875	QRE141J-472Y	C RESISTOR	4.7K 5% 1/4W	
	R 654	QRT01DJ-R22X	UNF.MF.RESISTOR	5% 1/1W			R 876	QRE141J-103Y	C RESISTOR	10K 5% 1/4W	
	R 655	QRT01DJ-R22X	UNF.MF.RESISTOR	5% 1/1W			R 877	QRE141J-103Y	C RESISTOR	10K 5% 1/4W	
	R 666	QRE141J-333Y	C RESISTOR	33K 5% 1/4W			R 878	QRE141J-104Y	C RESISTOR	100K 5% 1/4W	
	R 667	QRE141J-103Y	C RESISTOR	10K 5% 1/4W			R 879	QRE141J-473Y	C RESISTOR	47K 5% 1/4W	
	R 668	QRE141J-103Y	C RESISTOR	10K 5% 1/4W			R 880	QRE141J-225Y	C RESISTOR	2.2M 5% 1/4W	
	R 674	QRJ146J-100X	UNF.C RESISTOR	10 5% 1/4W			R 881	QRE141J-103Y	CARBON RESISTOR	10K 5% 1/4W	
	R 675	QRE141J-102Y	C RESISTOR	1.0K 5% 1/4W			R 882	QRE141J-104Y	C RESISTOR	100K 5% 1/4W	
	R 676	QRE141J-102Y	C RESISTOR	1.0K 5% 1/4W			R 883	QRE141J-220Y	C RESISTOR	22 5% 1/4W	
	R 680	QRE141J-105Y	C RESISTOR	1.0M 5% 1/4W			R 885	QRE141J-102Y	C RESISTOR	1.0K 5% 1/4W	
	R 681	QRE141J-392Y	C RESISTOR	3.9K 5% 1/4W			R 886	QRE141J-102Y	C RESISTOR	1.0K 5% 1/4W	
	R 682	QRE141J-475Y	C RESISTOR	4.7M 5% 1/4W			R 887	QRE141J-102Y	C RESISTOR	1.0K 5% 1/4W	
	R 683	QRE141J-153Y	C RESISTOR	15K 5% 1/4W			R 888	QRE141J-102Y	C RESISTOR	1.0K 5% 1/4W	
	R 684	QRE141J-473Y	C RESISTOR	47K 5% 1/4W			R 889	QRE141J-102Y	C RESISTOR	1.0K 5% 1/4W	
	R 801	QRE141J-331Y	C RESISTOR	330 5% 1/4W			R 891	QRE141J-104Y	C RESISTOR	100K 5% 1/4W	
	R 802	QRE141J-223Y	C RESISTOR	22K 5% 1/4W			R 892	QRE141J-104Y	C RESISTOR	100K 5% 1/4W	
	R 803	QRE141J-223Y	C RESISTOR	22K 5% 1/4W			R 893	QRE141J-753Y	C RESISTOR	75K 5% 1/4W	
	R 804	QRE141J-822Y	C RESISTOR	8.2K 5% 1/4W			R 894	QRE141J-753Y	C RESISTOR	75K 5% 1/4W	J,C
	R 805	QRE141J-822Y	C RESISTOR	8.2K 5% 1/4W			R 894	QRE141J-334Y	C RESISTOR	330K 5% 1/4W	B,E,EN
	R 806	QRE141J-124Y	C RESISTOR	120K 5% 1/4W			R 894	QRE141J-334Y	C RESISTOR	330K 5% 1/4W	U
	R 807	QRE141J-103Y	C RESISTOR	10K 5% 1/4W			R 895	QRE141J-152Y	C RESISTOR	1.5K 5% 1/4W	
	R 808	QRE141J-103Y	C RESISTOR	10K 5% 1/4W			R 896	QRE141J-103Y	C RESISTOR	10K 5% 1/4W	
	R 809	QRE141J-103Y	C RESISTOR	10K 5% 1/4W			R 897	QRE141J-152Y	C RESISTOR	1.5K 5% 1/4W	
	R 810	QRE141J-103Y	C RESISTOR	10K 5% 1/4W			R 898	QRE141J-103Y	C RESISTOR	10K 5% 1/4W	
	R 811	QRE141J-103Y	C RESISTOR	10K 5% 1/4W			R 899	QRE141J-4R3Y	C RESISTOR	4.3 5% 1/4W	
	R 812	QRE141J-103Y	C RESISTOR	10K 5% 1/4W			R 905	QRE141J-563Y	C RESISTOR	56K 5% 1/4W	
	R 813	QRE141J-103Y	C RESISTOR	10K 5% 1/4W			R 906	QRE141J-563Y	C RESISTOR	56K 5% 1/4W	
	R 814	QRE141J-562Y	C RESISTOR	5.6K 5% 1/4W			R 921	QRE141J-102Y	C RESISTOR	1.0K 5% 1/4W	
	R 815	QRE141J-563Y	C RESISTOR	56K 5% 1/4W			R 922	QRE141J-102Y	C RESISTOR	1.0K 5% 1/4W	
	R 816	QRE141J-563Y	C RESISTOR	56K 5% 1/4W			R 923	QRE141J-122Y	C RESISTOR	1.2K 5% 1/4W	
	R 817	QRE141J-103Y	C RESISTOR	10K 5% 1/4W			R 924	QRE141J-152Y	C RESISTOR	1.5K 5% 1/4W	
	R 818	QRE141J-103Y	C RESISTOR	10K 5% 1/4W			R 925	QRE141J-222Y	C RESISTOR	2.2K 5% 1/4W	
	R 819	QRE141J-102Y	C RESISTOR	1.0K 5% 1/4W			R 926	QRE141J-272Y	C RESISTOR	2.7K 5% 1/4W	
	R 820	QRE141J-102Y	C RESISTOR	1.0K 5% 1/4W			R 927	QRE141J-392Y	C RESISTOR	3.9K 5% 1/4W	
	R 821	QRE141J-103Y	C RESISTOR	10K 5% 1/4W			R 928	QRE141J-562Y	C RESISTOR	5.6K 5% 1/4W	
	R 822	QRE141J-103Y	C RESISTOR	10K 5% 1/4W			R 931	QRE141J-202Y	C RESISTOR	2.0K 5% 1/4W	
	R 823	QRE141J-102Y	C RESISTOR	1.0K 5% 1/4W			R 932	QRE141J-122Y	C RESISTOR	1.2K 5% 1/4W	
	R 824	QRE141J-102Y	C RESISTOR	1.0K 5% 1/4W			R 933	QRE141J-152Y	C RESISTOR	1.5K 5% 1/4W	
	R 825	QRE141J-102Y	C RESISTOR	1.0K 5% 1/4W			R 934	QRE141J-222Y	C RESISTOR	2.2K 5% 1/4W	
	R 826	QRE141J-102Y	C RESISTOR	1.0K 5% 1/4W			R 935	QRE141J-272Y	C RESISTOR	2.7K 5% 1/4W	
	R 827	QRE141J-103Y	C RESISTOR	10K 5% 1/4W			R 936	QRE141J-392Y	C RESISTOR	3.9K 5% 1/4W	
	R 830	QRE141J-151Y	C RESISTOR	150 5% 1/4W			R 937	QRE141J-562Y	C RESISTOR	5.6K 5% 1/4W	
	R 831	QRE141J-104Y	C RESISTOR	100K 5% 1/4W			R 938	QRE141J-103Y	C RESISTOR	10K 5% 1/4W	
	R 832	QRE141J-103Y	CARBON RESISTOR	10K 5% 1/4W			R 939	QRE141J-103Y	C RESISTOR	10K 5% 1/4W	
	R 834	QRE141J-104Y	C RESISTOR	100K 5% 1/4W			R 941	QRE141J-102Y	C RESISTOR	1.0K 5% 1/4W	
	R 835	QRE141J-104Y	C RESISTOR	100K 5% 1/4W			R 942	QRE141J-102Y	C RESISTOR	1.0K 5% 1/4W	
	R 836	QRE141J-104Y	C RESISTOR	100K 5% 1/4W			R 943	QRE141J-122Y	C RESISTOR	1.2K 5% 1/4W	
	R 837	QRE141J-104Y	C RESISTOR	100K 5% 1/4W			R 944	QRE141J-152Y	C RESISTOR	1.5K 5% 1/4W	
	R 838	QRE141J-102Y	C RESISTOR	1.0K 5% 1/4W			R 945	QRE141J-222Y	C RESISTOR	2.2K 5% 1/4W	
	R 839	QRE141J-102Y	C RESISTOR	1.0K 5% 1/4W			R 946	QRE141J-272Y	C RESISTOR	2.7K 5% 1/4W	
	R 840	QRE141J-103Y	C RESISTOR	10K 5% 1/4W			R 950	QRE141J-750Y	C RESISTOR	75 5% 1/4W	
	R 841	QRE141J-103Y	C RESISTOR	10K 5% 1/4W			R 951	QRE141J-753Y	C RESISTOR	75K 5% 1/4W	C,J,U
	R 842	QRE141J-103Y	C RESISTOR	10K 5% 1/4W			R 951	QRE141J-334Y	C RESISTOR	330K 5% 1/4W	B,E,EN
	R 843	QRE141J-221Y	C RESISTOR	220 5% 1/4W	B,E,EN		R 952	QRE141J-392Y	C RESISTOR	3.9K 5% 1/4W	
	R 844	QRE141J-103Y	C RESISTOR	10K 5% 1/4W			R 953	QRE141J-562Y	C RESISTOR	5.6K 5% 1/4W	
	R 845	QRE141J-102Y	C RESISTOR	1.0K 5% 1/4W			R 954	QRE141J-103Y	C RESISTOR	10K 5% 1/4W	
	R 846	QRE141J-102Y	C RESISTOR	1.0K 5% 1/4W			R 955	QRE141J-680Y	C RESISTOR	68 5% 1/4W	
	R 847	QRE141J-102Y	C RESISTOR	1.0K 5% 1/4W			R 956	QRE141J-680Y	C RESISTOR	68 5% 1/4W	

■ Electrical parts list (System control board)

Block No. 02

△	Item	Parts number	Parts name	Remarks	Area
	R 957	QRE141J-750Y	C RESISTOR	75 5% 1/4W	
	R 961	QRE141J-201Y	C RESISTOR	200 5% 1/4W	
	R 962	QRE141J-103Y	C RESISTOR	10K 5% 1/4W	
	R 963	QRE141J-103Y	C RESISTOR	10K 5% 1/4W	
	R 964	QRE141J-183Y	C RESISTOR	18K 5% 1/4W	
	R 981	QRE141J-680Y	C RESISTOR	68 5% 1/4W	
	R 982	QRE141J-680Y	C RESISTOR	68 5% 1/4W	
	R 985	QRE141J-392Y	C RESISTOR	3.9K 5% 1/4W	
	R 986	QRE141J-562Y	C RESISTOR	5.6K 5% 1/4W	
	R 991	QRE141J-102Y	C RESISTOR	1.0K 5% 1/4W	
	R 992	QRE141J-102Y	C RESISTOR	1.0K 5% 1/4W	
	R 993	QRE141J-122Y	C RESISTOR	1.2K 5% 1/4W	
	R 994	QRE141J-152Y	C RESISTOR	1.5K 5% 1/4W	
	R 995	QRE141J-222Y	C RESISTOR	2.2K 5% 1/4W	
	R 996	QRE141J-272Y	C RESISTOR	2.7K 5% 1/4W	
	R 998	QRE141J-750Y	C RESISTOR	75 5% 1/4W	
	R 999	QRE141J-750Y	C RESISTOR	75 5% 1/4W	
	RA801	QRB169J-104	R.NETWORK	100K 5% 1/6W	
	RA802	QRB169J-104	R.NETWORK	100K 5% 1/6W	
	RY 2	QSK0057-001	RELAY		
	S 921	QSW0825-001Z	TACT SWITCH		
	S 922	QSW0825-001Z	TACT SWITCH		
	S 923	QSW0825-001Z	TACT SWITCH		
	S 924	QSW0825-001Z	TACT SWITCH		
	S 925	QSW0825-001Z	TACT SWITCH		
	S 926	QSW0825-001Z	TACT SWITCH		
	S 927	QSW0825-001Z	TACT SWITCH		
	S 928	QSW0825-001Z	TACT SWITCH		
	S 931	QSW0825-001Z	TACT SWITCH		
	S 932	QSW0825-001Z	TACT SWITCH		
	S 933	QSW0825-001Z	TACT SWITCH		
	S 934	QSW0825-001Z	TACT SWITCH		
	S 935	QSW0825-001Z	TACT SWITCH		
	S 936	QSW0825-001Z	TACT SWITCH		
	S 937	QSW0825-001Z	TACT SWITCH		
	S 938	QSW0825-001Z	TACT SWITCH		
	S 939	QSW0825-001Z	TACT SWITCH		
	S 941	QSW0825-001Z	TACT SWITCH	RDS	B,E,EN
	S 942	QSW0825-001Z	TACT SWITCH	RDS	B,E,EN
	S 943	QSW0825-001Z	TACT SWITCH	RDS	B,E,EN
	S 944	QSW0825-001Z	TACT SWITCH	RDS	B,E,EN
	S 945	QSW0825-001Z	TACT SWITCH		
	S 946	QSW0825-001Z	TACT SWITCH		
	S 948	QSW0518-001	PUSH SWITCH	PANEL OP	
	S 949	QSW0122-001	PUSH SWITCH	PANEL CL	
	S 952	QSW0825-001Z	TACT SWITCH		
	S 953	QSW0825-001Z	TACT SWITCH		
	S 963	QSW0825-001Z	TACT SWITCH		
	S 985	QSW0825-001Z	TACT SWITCH		
	S 986	QSW0825-001Z	TACT SWITCH		
	S 991	QSW0825-001Z	TACT SWITCH		
	S 992	QSW0825-001Z	TACT SWITCH		
	S 993	QSW0825-001Z	TACT SWITCH		
	S 994	QSW0825-001Z	TACT SWITCH		
	S 995	QSW0825-001Z	TACT SWITCH		
	S 996	QSW0825-001Z	TACT SWITCH		
	S 997	QSW0825-001Z	TACT SWITCH		
	SP801	VYH7653-001	IC HOLDER		
	SP814	E3400-431	SPACER		
	SP823	E3400-431	SPACER		
	TH830	QAD0012-202	THERMISTOR		
	X 801	QAX0283-001Z	RESONATOR		
	X 802	QAX0401-001	CRYSTAL		

MX-J900/MX-J950R

■ Electrical parts list (Tuner board) Ver.J/C

Block No. 03

▲	Item	Parts number	Parts name	Remarks	Area
C	1	NCB21HK-223X	C CAPACITOR		
C	2	NCB21HK-103X	C CAPACITOR		
C	3	EETC1CM-106ZJC	E CAPACITOR		
C	4	NCB21HK-103X	C CAPACITOR		
C	6	NCB21HK-102X	C CAPACITOR		
C	7	NCB21HK-102X	C CAPACITOR		
C	8	NCB21HK-102X	C CAPACITOR		
C	10	NRSA02J-0R0X	MG RESISTOR		
C	11	NCB21HK-104X	C CAPACITOR		
C	12	NCB21HK-473X	C CAPACITOR		
C	13	NDC21HJ-120X	C CAPACITOR		
C	14	EETC1AM-107ZJC	E CAPACITOR		
C	15	NDC21HJ-120X	C CAPACITOR		
C	16	NDC21HJ-120X	C CAPACITOR		
C	17	NCB21HK-392X	C CAPACITOR		
C	18	QENC1HM-474Z	NP E.CAPACITOR	.47MF 20% 50V	
C	19	NCB21HK-473X	C CAPACITOR		
C	20	NCB21HK-102X	C CAPACITOR		
C	21	NCB21HK-223X	C CAPACITOR		
C	22	NCS21HJ-151X	C CAPACITOR		
C	23	NCS21HJ-151X	C CAPACITOR		
C	24	NCS21HJ-151X	C CAPACITOR		
C	25	EETC1AM-107ZJC	E CAPACITOR		
C	26	NCB21HK-102X	C CAPACITOR		
C	27	NCB21HK-102X	C CAPACITOR		
C	30	EETC1CM-107ZJC	E CAPACITOR		
C	31	QK1CM-226Z	E CAPACITOR	22MF 20% 16V	
C	32	NCB21HK-473X	C CAPACITOR		
C	33	NCB21HK-473X	C CAPACITOR		
C	34	NCB21HK-223X	C CAPACITOR		
C	35	NCB21HK-473X	C CAPACITOR		
C	36	EETC1HM-105ZJC	E CAPACITOR		
C	37	EETC1HM-105ZJC	E CAPACITOR		
C	38	EETC1HM-224ZJC	E CAPACITOR		
C	39	EETC1HM-105ZJC	E CAPACITOR		
C	40	QETN1CM-106Z	E CAPACITOR	10MF 20% 16V	
C	41	QETN1CM-106Z	E CAPACITOR	10MF 20% 16V	
C	42	NCB21HK-222X	C CAPACITOR		
C	43	NCB21HK-222X	C CAPACITOR		
C	44	QETN1CM-106Z	E CAPACITOR	10MF 20% 16V	
C	45	QETN1CM-106Z	E CAPACITOR	10MF 20% 16V	
C	46	NCB21HK-273X	C CAPACITOR		
C	47	EETC1HM-105ZJC	E CAPACITOR		
C	48	NCB21HK-222X	C CAPACITOR		
C	49	NCS21HJ-471X	C CAPACITOR		
C	50	QK1CM-226Z	E CAPACITOR	22MF 20% 16V	
C	51	QK1HM-105Z	E CAPACITOR	1.0MF 20% 50V	
C	52	QFV1HJ-274Z	CAPACITOR	.27MF 5% 50V	
C	53	EETC1CM-226ZJC	E CAPACITOR		
C	54	NCB21HK-473X	C CAPACITOR		
C	57	NCB21HK-102X	C CAPACITOR		
C	58	NCB21HK-473X	C CAPACITOR		
C	59	NCB21HK-102X	C CAPACITOR		
CF	1	VCF2L3B-105Z	CERAMIC FILTER		
CF	2	VCF2L3B-105Z	CERAMIC FILTER		
CF	3	QAX0610-001Z	C DISCRIMINATOR		
CN	1	QGF1205F1-09	CONNECTOR		
D	1	1SS133-T2	SI DIODE		
D	2	1SS133-T2	SI DIODE		
D	3	1SS133-T2	SI DIODE		
D	4	1SS133-T2	SI DIODE		
D	11	1SS133-T2	SI DIODE		
IC	1	LA1838	IC		
IC	2	LC72136N	IC		
J	1	QNB0014-001	ANT TERMINAL		
L	1	QQR0796-001	COIL BLOCK		
Q	1	2SC2814/4-5/-X	TRANSISTOR		
Q	5	DTA114YKA-X	TRANSISTOR		
R	1	QRE141J-560Y	C RESISTOR	56 5% 1/4W	
R	2	NRSA02J-331X	MG RESISTOR		
R	3	NRSA02J-224X	MG RESISTOR		
R	4	NRSA02J-331X	MG RESISTOR		
R	5	NRSA02J-560X	MG RESISTOR		

▲	Item	Parts number	Parts name	Remarks	Area
R	6	NRSA02J-240X	MG RESISTOR		
R	10	NRSA02J-222X	MG RESISTOR		
R	13	NRSA02J-103X	MG RESISTOR		
R	14	NRSA02J-104X	MG RESISTOR		
R	15	NRSA02J-332X	MG RESISTOR		
R	16	NRSA02J-472X	MG RESISTOR		
R	17	QRZ9005-680X	F RESISTOR	68 1/0W	
R	18	NRSA02J-102X	MG RESISTOR		
R	19	NRSA02J-102X	MG RESISTOR		
R	20	NRSA02J-102X	MG RESISTOR		
R	21	NRSA02J-562X	MG RESISTOR		
R	22	NRSA02J-472X	MG RESISTOR		
R	23	NRSA02J-182X	MG RESISTOR		
R	24	NRSA02J-103X	MG RESISTOR		
R	25	NRSA02J-331X	MG RESISTOR		
R	26	NRSA02J-222X	MG RESISTOR		
R	27	NRSA02J-103X	MG RESISTOR		
R	28	NRSA02J-103X	MG RESISTOR		
R	29	NRSA02J-103X	MG RESISTOR		
R	30	NRSA02J-122X	MG RESISTOR		
R	31	NRSA02J-102X	MG RESISTOR		
R	32	NRSA02J-102X	MG RESISTOR		
R	33	NRSA02J-331X	MG RESISTOR		
R	34	NRSA02J-470X	MG RESISTOR		
R	35	NRSA02J-562X	MG RESISTOR		
R	36	NRSA02J-332X	MG RESISTOR		
R	37	NRSA02J-103X	MG RESISTOR		
R	38	NRSA02J-563X	MG RESISTOR		
R	39	NRSA02J-563X	MG RESISTOR		
R	40	NRSA02J-243X	MG RESISTOR		
R	41	NRSA02J-332X	MG RESISTOR		
R	60	NRSA02J-0R0X	MG RESISTOR		
T	1	QQR0793-001	IFT		
TU	1	QAU0161-001	FRONT END		
X	1	QAX0402-001	CRYSTAL		

■ Electrical parts list (Tuner board) Ver.U

Block No. 04

△	Item	Parts number	Parts name	Remarks	Area	△	Item	Parts number	Parts name	Remarks	Area
	C 1	NCB21HK-223X	C CAPACITOR				R 10	NRSA02J-222X	MG RESISTOR		
	C 2	NCB21HK-103X	C CAPACITOR				R 13	NRSA02J-103X	MG RESISTOR		
	C 3	EETC1CM-106ZJC	E CAPACITOR				R 14	NRSA02J-104X	MG RESISTOR		
	C 4	NCB21HK-103X	C CAPACITOR				R 15	NRSA02J-332X	MG RESISTOR		
	C 6	NCB21HK-102X	C CAPACITOR				R 16	NRSA02J-472X	MG RESISTOR		
	C 7	NCB21HK-102X	C CAPACITOR				R 17	QRZ9005-680X	F.RESISTOR	68 1/0W	
	C 8	NCB21HK-102X	C CAPACITOR				R 18	NRSA02J-102X	MG RESISTOR		
	C 10	NRSA02J-0R0X	MG RESISTOR				R 19	NRSA02J-102X	MG RESISTOR		
	C 11	NCB21HK-104X	C CAPACITOR				R 20	NRSA02J-102X	MG RESISTOR		
	C 12	NCB21HK-473X	C CAPACITOR				R 21	NRSA02J-562X	MG RESISTOR		
	C 13	NDC21HJ-120X	C CAPACITOR				R 22	NRSA02J-472X	MG RESISTOR		
	C 14	EETC1AM-107ZJC	E CAPACITOR				R 23	NRSA02J-182X	MG RESISTOR		
	C 15	NDC21HJ-120X	C CAPACITOR				R 24	NRSA02J-103X	MG RESISTOR		
	C 16	NDC21HJ-120X	C CAPACITOR				R 25	NRSA02J-331X	MG RESISTOR		
	C 17	NCB21HK-392X	C CAPACITOR				R 26	NRSA02J-222X	MG RESISTOR		
	C 18	QENC1HM-474Z	NP E.CAPACITOR	.47MF 20% 50V			R 27	NRSA02J-103X	MG RESISTOR		
	C 19	NCB21HK-473X	C CAPACITOR				R 28	NRSA02J-103X	MG RESISTOR		
	C 20	NCB21HK-102X	C CAPACITOR				R 29	NRSA02J-103X	MG RESISTOR		
	C 21	NCB21HK-223X	C CAPACITOR				R 30	NRSA02J-122X	MG RESISTOR		
	C 22	NCS21HJ-151X	C CAPACITOR				R 31	NRSA02J-102X	MG RESISTOR		
	C 23	NCS21HJ-151X	C CAPACITOR				R 32	NRSA02J-102X	MG RESISTOR		
	C 24	NCS21HJ-151X	C CAPACITOR				R 33	NRSA02J-331X	MG RESISTOR		
	C 25	EETC1AM-107ZJC	E CAPACITOR				R 34	NRSA02J-470X	MG RESISTOR		
	C 26	NCB21HK-102X	C CAPACITOR				R 35	NRSA02J-562X	MG RESISTOR		
	C 27	NCB21HK-102X	C CAPACITOR				R 36	NRSA02J-332X	MG RESISTOR		
	C 30	EETC1CM-107ZJC	E CAPACITOR				R 37	NRSA02J-103X	MG RESISTOR		
	C 31	QEK1CM-226Z	E CAPACITOR	22MF 20% 16V			R 38	NRSA02J-563X	MG RESISTOR		
	C 32	NCB21HK-473X	C CAPACITOR				R 39	NRSA02J-563X	MG RESISTOR		
	C 33	NCB21HK-473X	C CAPACITOR				R 40	NRSA02J-243X	MG RESISTOR		
	C 34	NCB21HK-223X	C CAPACITOR				R 41	NRSA02J-332X	MG RESISTOR		
	C 35	NCB21HK-473X	C CAPACITOR				R 60	NRSA02J-0R0X	MG RESISTOR		
	C 36	EETC1HM-105ZJC	E CAPACITOR				T 1	QQR0793-001	IFT		
	C 37	EETC1HM-105ZJC	E CAPACITOR				TU 1	QAU0161-001	FRONT END		
	C 38	EETC1HM-224ZJC	E CAPACITOR				X 1	QAX0402-001	CRYSTAL		
	C 39	EETC1HM-105ZJC	E CAPACITOR								
	C 40	QETN1CM-106Z	E CAPACITOR	10MF 20% 16V							
	C 41	QETN1CM-106Z	E CAPACITOR	10MF 20% 16V							
	C 42	NCB21HK-152X	C CAPACITOR								
	C 43	NCB21HK-152X	C CAPACITOR								
	C 44	QETN1CM-106Z	E CAPACITOR	10MF 20% 16V							
	C 45	QETN1CM-106Z	E CAPACITOR	10MF 20% 16V							
	C 46	NCB21HK-273X	C CAPACITOR								
	C 47	EETC1HM-105ZJC	E CAPACITOR								
	C 48	NCB21HK-222X	C CAPACITOR								
	C 49	NCS21HJ-471X	C CAPACITOR								
	C 50	QEK1CM-226Z	E CAPACITOR								
	C 51	QEK1HM-105Z	E CAPACITOR								
	C 52	QFV1HJ-274Z	CAPACITOR	.27MF 5% 50V							
	C 53	EETC1CM-226ZJC	E CAPACITOR								
	C 54	NCB21HK-473X	C CAPACITOR								
	C 57	NCB21HK-102X	C CAPACITOR								
	C 58	NCB21HK-473X	C CAPACITOR								
	C 59	NCB21HK-102X	C CAPACITOR								
	CF 1	VCF2L3B-105Z	CERAMIC FILTER								
	CF 2	VCF2L3B-105Z	CERAMIC FILTER								
	CF 3	QAX0610-001Z	C DISCRIMINATOR								
	CN 1	QGF1205F1-09	CONNECTOR								
	D 1	1SS133-T2	SI DIODE								
	D 2	1SS133-T2	SI DIODE								
	D 3	1SS133-T2	SI DIODE								
	D 4	1SS133-T2	SI DIODE								
	D 11	1SS133-T2	SI DIODE								
	IC 1	LA1838	IC								
	IC 2	LC72136N	IC								
	J 1	QNB0014-001	ANT TERMINAL								
	L 1	QQR0796-001	COIL BLOCK								
	Q 1	2SC2814/4-5/-X	TRANSISTOR								
	Q 5	DTA114YKA-X	TRANSISTOR								
	R 1	QRE141J-560Y	MG RESISTOR	56 5% 1/4W							
	R 2	NRSA02J-331X	MG RESISTOR								
	R 3	NRSA02J-224X	MG RESISTOR								
	R 4	NRSA02J-331X	MG RESISTOR								
	R 5	NRSA02J-560X	MG RESISTOR								
	R 6	NRSA02J-240X	MG RESISTOR								

MX-J900/MX-J950R

■ Electrical parts list (Tuner board) Ver.B/E/EN

Block No. 05

△	Item	Parts number	Parts name	Remarks	Area
	C 1	NCB21HK-223X	C CAPACITOR		
	C 2	NCB21HK-103X	C CAPACITOR		
	C 3	EETC1CM-106ZJC	E CAPACITOR		
	C 4	NCB21HK-103X	C CAPACITOR		
	C 6	NCB21HK-102X	C CAPACITOR		
	C 7	NCB21HK-102X	C CAPACITOR		
	C 8	NCB21HK-102X	C CAPACITOR		
	C 9	NCB21HK-102X	C CAPACITOR		
	C 10	NDC21HJ-120X	C CAPACITOR		
	C 11	NCB21HK-104X	C CAPACITOR		
	C 12	NCB21HK-473X	C CAPACITOR		
	C 13	NDC21HJ-120X	C CAPACITOR		
	C 14	EETC1AM-107ZJC	E CAPACITOR		
	C 15	NDC21HJ-120X	C CAPACITOR		
	C 16	NDC21HJ-120X	C CAPACITOR		
	C 17	NCB21HK-392X	C CAPACITOR		
	C 18	QENC1HM-474Z	NP E.CAPACITOR	.47MF 20% 50V	
	C 19	NCB21HK-473X	C CAPACITOR		
	C 20	NCB21HK-102X	C CAPACITOR		
	C 21	NCB21HK-223X	C CAPACITOR		
	C 22	NCS21HJ-151X	C CAPACITOR		
	C 23	NCS21HJ-151X	C CAPACITOR		
	C 24	NCS21HJ-151X	C CAPACITOR		
	C 25	EETC1AM-107ZJC	E CAPACITOR		
	C 26	NCB21HK-103X	C CAPACITOR		
	C 27	NCB21HK-103X	C CAPACITOR		
	C 30	EETC1CM-107ZJC	E CAPACITOR		
	C 31	QEK1CM-226Z	E CAPACITOR	22MF 20% 16V	
	C 32	NCB21HK-473X	C CAPACITOR		
	C 33	NCB21HK-473X	C CAPACITOR		
	C 34	NCB21HK-223X	C CAPACITOR		
	C 35	NCB21HK-473X	C CAPACITOR		
	C 36	EETC1HM-105ZJC	E CAPACITOR		
	C 37	EETC1HM-105ZJC	E CAPACITOR		
	C 38	EETC1HM-224ZJC	E CAPACITOR		
	C 39	EETC1HM-105ZJC	E CAPACITOR		
	C 40	QETN1CM-106Z	E CAPACITOR	10MF 20% 16V	
	C 41	QETN1CM-106Z	E CAPACITOR	10MF 20% 16V	
	C 42	NCB21HK-182X	C CAPACITOR		
	C 43	NCB21HK-182X	C CAPACITOR		
	C 44	QETN1CM-106Z	E CAPACITOR	10MF 20% 16V	
	C 45	QETN1CM-106Z	E CAPACITOR	10MF 20% 16V	
	C 46	NCB21HK-223X	C CAPACITOR		
	C 47	EETC1HM-105ZJC	E CAPACITOR		
	C 48	NCB21HK-222X	C CAPACITOR		
	C 49	NCS21HJ-471X	C CAPACITOR		
	C 50	QEK1CM-226Z	E CAPACITOR	22MF 20% 16V	
	C 51	QEK1HM-105Z	E CAPACITOR	1.0MF 20% 50V	
	C 52	QFV1HJ-274Z	CAPACITOR	.27MF 5% 50V	
	C 53	EETC1CM-226ZJC	E CAPACITOR		
	C 54	NCB21HK-473X	C CAPACITOR		
	C 55	NCS21HJ-330X	C CAPACITOR		
	C 56	NCS21HJ-100X	C CAPACITOR		
	C 57	NCB21HK-102X	C CAPACITOR		
	C 58	NCB21HK-473X	C CAPACITOR		
	C 59	NCB21HK-102X	C CAPACITOR		
	C 70	NCS21HJ-220X	C CAPACITOR		
	C 71	NCS21HJ-220X	C CAPACITOR		
	C 72	NCB21HK-561X	C CAPACITOR		
	C 73	NCB21HK-104X	C CAPACITOR		
	C 74	NCB21HK-104X	C CAPACITOR		
	C 75	EETC1HM-106ZJC	E CAPACITOR		
	C 76	NCB21HK-331X	C CAPACITOR		
	CF 1	QAX0420-001	C FILTER		
	CF 2	QAX0458-001Z	C FILTER		
	CF 3	QAX0610-001Z	C DISCRIMINATOR		
	CN 1	QGF1205F1-13	CONNECTOR		
	D 1	1SS133-T2	SI DIODE		
	D 2	1SS133-T2	SI DIODE		
	D 3	1SS133-T2	SI DIODE		
	D 4	1SS133-T2	SI DIODE		
	D 11	1SS133-T2	SI DIODE		
	IC 1	LA1838	IC		

△	Item	Parts number	Parts name	Remarks	Area
	IC 2	LC72136N	IC		
	IC 3	LC72723	IC		
	J 1	QNB0014-001	ANT TERMINAL		
	L 1	QQR1094-001	COIL BLOCK		
	L 2	QQL231K-330Y	INDUCTOR		
	L 3	QQL231K-4R7Y	INDUCTOR		
	L 70	QQL231K-101Y	INDUCTOR		
	Q 1	2SC2814/4-5/-X	TRANSISTOR		
	Q 2	2SC2412K/R/-X	TRANSISTOR		
	Q 3	2SC2412K/R/-X	TRANSISTOR		
	Q 4	DTA114YKA-X	TRANSISTOR		
	Q 5	DTA114YKA-X	TRANSISTOR		
	R 2	NRSA02J-331X	MG RESISTOR		
	R 3	NRSA02J-224X	MG RESISTOR		
	R 4	NRSA02J-331X	MG RESISTOR		
	R 5	NRSA02J-560X	MG RESISTOR		
	R 6	NRSA02J-120X	MG RESISTOR		
	R 10	NRSA02J-222X	MG RESISTOR		
	R 11	NRSA02J-472X	MG RESISTOR		
	R 12	NRSA02J-472X	MG RESISTOR		
	R 13	NRSA02J-103X	MG RESISTOR		
	R 14	NRSA02J-104X	MG RESISTOR		
	R 15	NRSA02J-332X	MG RESISTOR		
	R 16	NRSA02J-472X	MG RESISTOR		
	R 17	QRZ9005-680X	F RESISTOR	68 1/0W	
	R 18	NRSA02J-102X	MG RESISTOR		
	R 19	NRSA02J-102X	MG RESISTOR		
	R 20	NRSA02J-102X	MG RESISTOR		
	R 21	NRSA02J-562X	MG RESISTOR		
	R 22	NRSA02J-472X	MG RESISTOR		
	R 23	NRSA02J-182X	MG RESISTOR		
	R 24	NRSA02J-103X	MG RESISTOR		
	R 25	NRSA02J-331X	MG RESISTOR		
	R 26	NRSA02J-222X	MG RESISTOR		
	R 27	NRSA02J-103X	MG RESISTOR		
	R 28	NRSA02J-103X	MG RESISTOR		
	R 29	NRSA02J-103X	MG RESISTOR		
	R 30	NRSA02J-122X	MG RESISTOR		
	R 31	NRSA02J-102X	MG RESISTOR		
	R 32	NRSA02J-102X	MG RESISTOR		
	R 33	NRSA02J-331X	MG RESISTOR		
	R 34	NRSA02J-470X	MG RESISTOR		
	R 35	NRSA02J-562X	MG RESISTOR		
	R 36	NRSA02J-332X	MG RESISTOR		
	R 37	NRSA02J-103X	MG RESISTOR		
	R 38	NRSA02J-393X	MG RESISTOR		
	R 39	NRSA02J-393X	MG RESISTOR		
	R 40	NRSA02J-393X	MG RESISTOR		
	R 41	NRSA02J-332X	MG RESISTOR		
	R 60	NRSA02J-0R0X	MG RESISTOR		
	R 70	NRSA02J-103X	MG RESISTOR		
	R 71	NRSA02J-102X	MG RESISTOR		
	R 72	NRSA02J-102X	MG RESISTOR		
	R 73	NRSA02J-102X	MG RESISTOR		
	T 1	QQR0793-001	IFT		
	TU 1	QAU0160-001	FRONT END		
	X 1	QAX0402-001	CRYSTAL		
	X 70	QAX0263-001Z	CRYSTAL		

■ Electrical parts list (CD servo board)

Block No. 06

△	Item	Parts number	Parts name	Remarks	Area
	R 673	NRSA02J-102X	MG RESISTOR		
	R 674	NRSA02J-101X	MG RESISTOR		
	R 675	NRSA02J-102X	MG RESISTOR		
	R 676	NRSA02J-102X	MG RESISTOR		
	R 677	NRSA02J-102X	MG RESISTOR		
	R 678	NRSA02J-102X	MG RESISTOR		
	R 679	NRSA02J-102X	MG RESISTOR		
	R 680	NRSA02J-102X	MG RESISTOR		
	R 681	NRSA02J-102X	MG RESISTOR		
	R 682	NRSA02J-102X	MG RESISTOR		
	R 683	NRSA02J-102X	MG RESISTOR		
	R 684	NRSA02J-271X	MG RESISTOR		
	R 685	NRSA02J-102X	MG RESISTOR		
	R 686	NRSA02J-101X	MG RESISTOR		
	R 687	NRSA02J-102X	MG RESISTOR		
	R 688	NRSA02J-101X	MG RESISTOR		
	R 689	NRSA02J-102X	MG RESISTOR		
	R 690	NRSA02J-101X	MG RESISTOR		
	R 691	NRSA02J-101X	MG RESISTOR		
	R 692	NRSA02J-101X	MG RESISTOR		
	R 693	NRSA02J-471X	MG RESISTOR		
	R 694	NRSA02J-102X	MG RESISTOR		
	R 801	NRSA02J-222X	MG RESISTOR		
	R 802	NRSA02J-472X	MG RESISTOR		
	R 803	NRSA02J-123X	MG RESISTOR		
	R 804	NRSA02J-154X	MG RESISTOR		
	R 805	NRSA02J-123X	MG RESISTOR		
	R 806	NRSA02J-223X	MG RESISTOR		
	R 807	NRSA02J-222X	MG RESISTOR		
	R 808	NRSA02J-223X	MG RESISTOR		
	R 811	NRSA02J-473X	MG RESISTOR		
	R 812	NRSA02J-223X	MG RESISTOR		
	R 831	NRSA02J-151X	MG RESISTOR		
	R 832	NRSA02J-103X	MG RESISTOR		
	R 842	NRSA02J-472X	MG RESISTOR		
	R 851	NRSA02J-102X	MG RESISTOR		
	R 852	NRSA02J-102X	MG RESISTOR		
	R 853	NRSA02J-102X	MG RESISTOR		
	R 854	NRSA02J-102X	MG RESISTOR		
	R 855	NRSA02J-102X	MG RESISTOR		
	R 856	NRSA02J-102X	MG RESISTOR		
	R 857	NRSA02J-272X	MG RESISTOR		
	R 859	NRSA02J-181X	MG RESISTOR		
	R 861	NRSA02J-102X	MG RESISTOR		
	R 862	NRSA02J-102X	MG RESISTOR		
	R 863	NRSA02J-102X	MG RESISTOR		
	R 864	NRSA02J-102X	MG RESISTOR		
	R 865	NRSA02J-102X	MG RESISTOR		
	R 866	NRSA02J-102X	MG RESISTOR		
	R 880	NRSA02J-102X	MG RESISTOR		
	R 881	NRSA02J-102X	MG RESISTOR		
	R 882	NRSA02J-102X	MG RESISTOR		
	R 883	NRSA02J-102X	MG RESISTOR		
	R 884	NRSA02J-102X	MG RESISTOR		
	R 885	NRSA02J-102X	MG RESISTOR		
	R 886	NRSA02J-102X	MG RESISTOR		
	R 887	NRSA02J-102X	MG RESISTOR		
	W 601	QUB220-07HPDT	SIN TWIST WIRE	D.GND	
	X 251	QAX0360-001Z	CRYSTAL	FOR IC251	
	X 651	QAX0413-001Z	CRYSTAL	FOR IC651	

■ Electrical parts list (CD select switch board)

Block No. 07

△	Item	Parts number	Parts name	Remarks	Area
	CN804	QGB2016J1-07	CONNECTOR		
	SW 1	QSW0859-001	DETECT SWITCH		
	SW 2	QSW0859-001	DETECT SWITCH		
	SW 3	QSW0859-001	DETECT SWITCH		
	SW 4	QSW0859-001	DETECT SWITCH		
	SW 5	QSW0859-001	DETECT SWITCH		
	SW 6	QSW0859-001	DETECT SWITCH		

MX-J900/MX-J950R

■ Electrical parts list (CD servo board)

Block No. 06

△	Item	Parts number	Parts name	Remarks	Area
	R 673	NRSA02J-102X	MG RESISTOR		
	R 674	NRSA02J-101X	MG RESISTOR		
	R 675	NRSA02J-102X	MG RESISTOR		
	R 676	NRSA02J-102X	MG RESISTOR		
	R 677	NRSA02J-102X	MG RESISTOR		
	R 678	NRSA02J-102X	MG RESISTOR		
	R 679	NRSA02J-102X	MG RESISTOR		
	R 680	NRSA02J-102X	MG RESISTOR		
	R 681	NRSA02J-102X	MG RESISTOR		
	R 682	NRSA02J-102X	MG RESISTOR		
	R 683	NRSA02J-102X	MG RESISTOR		
	R 684	NRSA02J-271X	MG RESISTOR		
	R 685	NRSA02J-102X	MG RESISTOR		
	R 686	NRSA02J-101X	MG RESISTOR		
	R 687	NRSA02J-102X	MG RESISTOR		
	R 688	NRSA02J-101X	MG RESISTOR		
	R 689	NRSA02J-102X	MG RESISTOR		
	R 690	NRSA02J-101X	MG RESISTOR		
	R 691	NRSA02J-101X	MG RESISTOR		
	R 692	NRSA02J-101X	MG RESISTOR		
	R 693	NRSA02J-471X	MG RESISTOR		
	R 694	NRSA02J-102X	MG RESISTOR		
	R 801	NRSA02J-222X	MG RESISTOR		
	R 802	NRSA02J-472X	MG RESISTOR		
	R 803	NRSA02J-123X	MG RESISTOR		
	R 804	NRSA02J-154X	MG RESISTOR		
	R 805	NRSA02J-123X	MG RESISTOR		
	R 806	NRSA02J-223X	MG RESISTOR		
	R 807	NRSA02J-222X	MG RESISTOR		
	R 808	NRSA02J-223X	MG RESISTOR		
	R 811	NRSA02J-473X	MG RESISTOR		
	R 812	NRSA02J-223X	MG RESISTOR		
	R 831	NRSA02J-151X	MG RESISTOR		
	R 832	NRSA02J-103X	MG RESISTOR		
	R 842	NRSA02J-472X	MG RESISTOR		
	R 851	NRSA02J-102X	MG RESISTOR		
	R 852	NRSA02J-102X	MG RESISTOR		
	R 853	NRSA02J-102X	MG RESISTOR		
	R 854	NRSA02J-102X	MG RESISTOR		
	R 855	NRSA02J-102X	MG RESISTOR		
	R 856	NRSA02J-102X	MG RESISTOR		
	R 857	NRSA02J-272X	MG RESISTOR		
	R 859	NRSA02J-181X	MG RESISTOR		
	R 861	NRSA02J-102X	MG RESISTOR		
	R 862	NRSA02J-102X	MG RESISTOR		
	R 863	NRSA02J-102X	MG RESISTOR		
	R 864	NRSA02J-102X	MG RESISTOR		
	R 865	NRSA02J-102X	MG RESISTOR		
	R 866	NRSA02J-102X	MG RESISTOR		
	R 880	NRSA02J-102X	MG RESISTOR		
	R 881	NRSA02J-102X	MG RESISTOR		
	R 882	NRSA02J-102X	MG RESISTOR		
	R 883	NRSA02J-102X	MG RESISTOR		
	R 884	NRSA02J-102X	MG RESISTOR		
	R 885	NRSA02J-102X	MG RESISTOR		
	R 886	NRSA02J-102X	MG RESISTOR		
	R 887	NRSA02J-102X	MG RESISTOR		
	W 601	QUB220-07HPDT	SIN TWIST WIRE	D.GND	
	X 251	QAX0360-001Z	CRYSTAL	FOR IC251	
	X 651	QAX0413-001Z	CRYSTAL	FOR IC651	

■ Electrical parts list (CD select switch board)

Block No. 07

△	Item	Parts number	Parts name	Remarks	Area
	CN804	QGB2016J1-07	CONNECTOR		
	SW 1	QSW0859-001	DETECT SWITCH		
	SW 2	QSW0859-001	DETECT SWITCH		
	SW 3	QSW0859-001	DETECT SWITCH		
	SW 4	QSW0859-001	DETECT SWITCH		
	SW 5	QSW0859-001	DETECT SWITCH		
	SW 6	QSW0859-001	DETECT SWITCH		

■ Electrical parts list
(Head amplifier& mechanism control board) Block No. 08

△	Item	Parts number	Parts name	Remarks	Area	△	Item	Parts number	Parts name	Remarks	Area
	C 101	NCS21HJ-561X	C CAPACITOR				CN302	QGF1205F1-06	CONNECTOR		
	C 102	NCS21HJ-331X	C CAPACITOR				CN303	QGB2011M1-10	B TO B CONNECTO		
	C 103	NCS21HJ-561X	C CAPACITOR				CN304	QGB2011M1-10	B TO B CONNECTO		
	C 104	NCS21HJ-221X	C CAPACITOR				CN305	QGF1205F1-10	CONNECTOR		
	C 105	QEK40JM-227	E CAPACITOR	220MF 20% 6.3V			CN306	QGF1205F1-11	CONNECTOR		
	C 106	NCB21HK-333X	C CAPACITOR				D 307	HZM5.1NB2-X	CHIP Z DIODE CM		
	C 107	QEK41EM-475	E CAPACITOR	4.7MF 20% 25V			D 308	HZM5.1NB2-X	CHIP Z DIODE CM		
	C 108	NCB21HK-393X	C CAPACITOR				D 309	MA704A-X	S.K.DIODE		
	C 110	NCS21HJ-221X	C CAPACITOR				IC301	BA3126N	IC		
	C 111	QEK41HM-104	E CAPACITOR	.10MF 20% 50V			IC302	AN7345K	IC		
	C 112	QEK41CM-106	E CAPACITOR	10MF 20% 16V			IC303	BU4094BCF-X	IC		
	C 113	NCB21HK-332X	C CAPACITOR				IC304	BU4094BCF-X	IC		
	C 114	QEK41EM-475	E CAPACITOR	4.7MF 20% 25V			L 202	QQR0779-001Z	INDUCTOR	EMC	
	C 115	NCB21HK-153X	C CAPACITOR				L 301	QQR0620-001	OSC COIL(BIAS)		
	C 116	NCB21HK-822X	C CAPACITOR				L 303	QQL01BK-100Z	INDUCTOR		
	C 117	NCB21HK-223X	C CAPACITOR				Q 102	DTC144TKA-X	TRANSISTOR		
	C 119	NCB21HK-563X	C CAPACITOR				Q 103	DTC144EKA-X	TRANSISTOR		
	C 120	NCS21HJ-330X	C CAPACITOR				Q 105	2SC3576-JVC-T	TRANSISTOR		
	C 201	NCS21HJ-561X	C CAPACITOR				Q 202	DTC144TKA-X	TRANSISTOR		
	C 202	NCS21HJ-331X	C CAPACITOR				Q 203	DTC144EKA-X	TRANSISTOR		
	C 203	NCS21HJ-561X	C CAPACITOR				Q 205	2SC3576-JVC-T	TRANSISTOR		
	C 204	NCS21HJ-221X	C CAPACITOR				Q 302	2SC2001/K/-T	TRANSISTOR		
	C 205	QEK40JM-227	E CAPACITOR	220MF 20% 6.3V			Q 303	2SC2001/K/-T	TRANSISTOR		
	C 206	NCB21HK-333X	C CAPACITOR				Q 304	2SC3576-JVC-T	TRANSISTOR		
	C 207	QEK41EM-475	E CAPACITOR	4.7MF 20% 25V			Q 305	2SC3576-JVC-T	TRANSISTOR		
	C 208	NCB21HK-393X	C CAPACITOR				Q 306	2SC2412K/RS/-X	CHIP TRANSISTOR		
	C 210	NCS21HJ-221X	C CAPACITOR				Q 307	2SC2412K/RS/-X	CHIP TRANSISTOR		
	C 211	QEK41HM-104	E CAPACITOR	.10MF 20% 50V			Q 308	2SC2412K/RS/-X	CHIP TRANSISTOR		
	C 212	QEK41CM-106	E CAPACITOR	10MF 20% 16V			Q 309	2SC2412K/RS/-X	CHIP TRANSISTOR		
	C 213	NCB21HK-332X	C CAPACITOR				Q 312	2SB562/C/-T	TRANSISTOR		
	C 214	QEK41EM-475	E CAPACITOR	4.7MF 20% 25V			Q 313	2SC2412K/RS/-X	CHIP TRANSISTOR		
	C 215	NCB21HK-153X	C CAPACITOR				Q 314	2SB562/C/-T	TRANSISTOR		
	C 216	NCB21HK-822X	C CAPACITOR				Q 315	2SC2412K/RS/-X	CHIP TRANSISTOR		
	C 217	NCB21HK-223X	C CAPACITOR				Q 316	2SA952L/K/-T	TRANSISTOR		
	C 219	NCB21HK-563X	C CAPACITOR				Q 317	DTC124EKA-X	TRANSISTOR		
	C 220	NCS21HJ-330X	C CAPACITOR				Q 321	DTC144EKA-X	TRANSISTOR		
	C 301	QEK41CM-106	E CAPACITOR	10MF 20% 16V			Q 322	DTC144EKA-X	TRANSISTOR		
	C 302	QEK41CM-476	E CAPACITOR	47MF 20% 16V			Q 323	2SC2412K/RS/-X	CHIP TRANSISTOR		
	C 303	QEK41CM-226	E CAPACITOR	22MF 20% 16V			R 102	NRSA02J-102X	MG RESISTOR		
	C 304	QEK41EM-475	E CAPACITOR	4.7MF 20% 25V			R 103	NRSA02J-183X	MG RESISTOR		
	C 305	NCB21HK-393X	C CAPACITOR				R 105	NRSA02J-220X	MG RESISTOR		
	C 306	QEK40JM-227	E CAPACITOR	220MF 20% 6.3V			R 106	NRSA02J-392X	MG RESISTOR		
	C 308	NCB21HK-562X	C CAPACITOR				R 107	NRSA02J-123X	MG RESISTOR		
	C 309	NCB21HK-562X	C CAPACITOR				R 108	NRSA02J-222X	MG RESISTOR		
	C 310	NCB21HK-223X	C CAPACITOR				R 109	NRSA02J-152X	MG RESISTOR		
	C 311	NCB21HK-682X	C.CAPACITOR				R 111	NRSA02J-562X	MG RESISTOR		
	C 313	QEKJ1AM-107Z	E CAPACITOR	100MF 20% 10V			R 112	NRSA02J-122X	MG RESISTOR		
	C 314	QCZ0205-155Z	ML C CAPACITOR	1.5MF			R 113	NRSA02J-271X	MG RESISTOR		
	C 315	QCZ0205-155Z	ML C CAPACITOR	1.5MF			R 114	NRSA02J-391X	MG RESISTOR		
	C 316	QFG32AJ-103Z	PP CAPACITOR	.010MF 5% 100V			R 115	NRSA02J-332X	MG RESISTOR		
	C 318	NCB21HK-103X	C CAPACITOR				R 117	NRSA02J-332X	MG RESISTOR		
	C 319	QFG32AJ-821Z	TF CAPACITOR	820PF 5% 100V			R 118	NRSA02J-152X	MG RESISTOR		
	C 321	NCB21HK-103X	C CAPACITOR				R 119	NRSA02J-203X	MG RESISTOR		
	C 322	QFG32AJ-152Z	M CAPACITOR	1500PF 5% 100V			R 120	NRSA02J-102X	MG RESISTOR		
	C 327	QEK41CM-476	E CAPACITOR	47MF 20% 16V			R 121	NRSA02J-122X	MG RESISTOR		
	C 328	NCS21HJ-151X	C CAPACITOR				R 202	NRSA02J-102X	MG RESISTOR		
	C 329	NCS21HJ-151X	C CAPACITOR				R 203	NRSA02J-183X	MG RESISTOR		
	C 330	NCS21HJ-151X	C CAPACITOR				R 205	NRSA02J-220X	MG RESISTOR		
	C 332	NCS21HJ-151X	C CAPACITOR				R 206	NRSA02J-392X	MG RESISTOR		
	C 335	NCB21HK-103X	C CAPACITOR				R 207	NRSA02J-123X	MG RESISTOR		
	C 336	NCB21HK-103X	C CAPACITOR				R 208	NRSA02J-222X	MG RESISTOR		
	C 337	NCB21HK-103X	C CAPACITOR				R 209	NRSA02J-152X	MG RESISTOR		
	C 338	NCB21HK-103X	C CAPACITOR				R 211	NRSA02J-562X	MG RESISTOR		
	C 339	QEK41CM-476	E CAPACITOR	47MF 20% 16V			R 212	NRSA02J-122X	MG RESISTOR		
	C 340	NCB21HK-103X	C CAPACITOR				R 213	NRSA02J-271X	MG RESISTOR		
	C 341	QEKJ1AM-107Z	E CAPACITOR	100MF 20% 10V			R 214	NRSA02J-391X	MG RESISTOR		
	C 342	QEK41EM-475	E CAPACITOR	4.7MF 20% 25V			R 215	NRSA02J-332X	MG RESISTOR		
	C 343	QET41CM-106	E CAPACITOR	10MF 20% 16V			R 217	NRSA02J-332X	MG RESISTOR		
	C 344	NCB21HK-472X	C CAPACITOR				R 218	NRSA02J-152X	MG RESISTOR		
	C 345	NCS21HJ-331X	C CAPACITOR				R 219	NRSA02J-203X	MG RESISTOR		
	C 350	QFLM1HJ-102Z	M CAPACITOR	1000PF 5% 50V			R 220	NRSA02J-102X	MG RESISTOR		
	CN301	QGF1205F1-06	CONNECTOR				R 221	NRSA02J-122X	MG RESISTOR		

MX-J900/MX-J950R

■ Electrical parts list (Head amplifier& mechanism control board)

Block No. 08

△	Item	Parts number	Parts name	Remarks	Area
	R 301	NRS181J-221X	MG RESISTOR		
	R 302	NRS181J-101X	MG RESISTOR		
	R 304	NRSA02J-393X	MG RESISTOR		
	R 305	NRSA02J-103X	MG RESISTOR		
	R 306	NRSA02J-103X	MG RESISTOR		
	R 307	NRSA02J-103X	MG RESISTOR		
	R 308	NRSA02J-152X	MG RESISTOR		
	R 309	NRSA02J-152X	MG RESISTOR		
	R 310	NRS181J-820X	MG RESISTOR		
	R 311	NRS181J-820X	MG RESISTOR		
	R 313	NRSA02J-3R3X	MG RESISTOR		
	R 314	NRSA02J-223X	MG RESISTOR		
	R 315	NRSA02J-100X	MG RESISTOR		
	R 316	NRSA02J-223X	MG RESISTOR		
	R 317	NRSA02J-100X	MG RESISTOR		
	R 318	NRSA02J-123X	MG RESISTOR		
	R 319	NRSA02J-152X	MG RESISTOR		
	R 321	NRSA02J-123X	MG RESISTOR		
	R 322	NRSA02J-152X	MG RESISTOR		
	R 327	NRSA02J-474X	MG RESISTOR		
	R 328	NRSA02J-222X	MG RESISTOR		
	R 329	NRSA02J-222X	MG RESISTOR		
	R 330	NRSA02J-0R0X	MG RESISTOR		
	R 335	NRSA02J-222X	MG RESISTOR		
	R 336	NRSA02J-392X	MG RESISTOR		
	R 338	NRSA02J-222X	MG RESISTOR		
	R 339	NRSA02J-222X	MG RESISTOR		
	R 341	NRSA02J-222X	MG RESISTOR		
	R 343	NRSA02J-0R0X	MG RESISTOR		
	R 345	NRSA02J-222X	MG RESISTOR		
	R 346	NRSA02J-0R0X	MG RESISTOR		
	R 347	NRSA02J-392X	MG RESISTOR		
	R 348	NRSA02J-222X	MG RESISTOR		
	R 350	NRSA02J-472X	MG RESISTOR		
	R 351	NRSA02J-151X	MG RESISTOR		
	R 353	NRSA02J-472X	MG RESISTOR		
	R 354	NRSA02J-151X	MG RESISTOR		
	R 355	NRSA02J-332X	MG RESISTOR		
	R 357	NRSA02J-103X	MG RESISTOR		
	R 358	NRSA02J-222X	MG RESISTOR		
	R 359	NRSA02J-123X	MG RESISTOR		
	R 360	NRSA02J-433X	MG RESISTOR		
	R 361	NRSA02J-183X	MG RESISTOR		
	R 362	NRSA02J-123X	MG RESISTOR		
	R 363	NRSA02J-183X	MG RESISTOR		
	R 364	NRSA02J-433X	MG RESISTOR		
	R 365	NRSA02J-203X	MG RESISTOR		
	R 366	NRSA02J-123X	MG RESISTOR		
	R 367	NRSA02J-102X	MG RESISTOR		
	R 368	NRSA02J-391X	MG RESISTOR		
	R 369	NRSA02J-391X	MG RESISTOR		
	R 371	NRS181J-222X	MG RESISTOR		
	R 374	NRSA02J-912X	MG RESISTOR		
	R 375	NRSA02J-683X	MG RESISTOR		
	R 376	NRS181J-6R8X	MG RESISTOR		
	VR10	QVP0008-503Z	SEMI V RESISTOR		
	VR20	QVP0008-503Z	SEMI V RESISTOR		
	VR30	QVP0008-103Z	SEMI V RESISTOR		
	WIRE	EWR34D-10CS	FLAT WIRE		

■ Electrical parts list (Cassette switch board)

Block No. 09

△	Item	Parts number	Parts name	Remarks	Area
	CN 1	QGB2011L1-10	B TO B CONNECTO		
	D 1	1SR139-400-T2	SI DIODE		
	IC 1	SG-105F3-BB,C	PHOTO SENSER		
	P 1	QNZ0104-001	POST PIN		
	SW 2	QSW0832-001	LEAF SWITCH	TAPE	
	SW 4	QSW0832-001	LEAF SWITCH	70U	
	SW 6	QSW0507-001	SWITCH		

■ Electrical parts list (Cassette switch board)

Block No. 10

△	Item	Parts number	Parts name	Remarks	Area
	CN 1	QGB2011L1-10	B TO B CONNECTO		
	D 1	1SR139-400-T2	SI DIODE		
	IC 1	SG-105F3-BB,C	PHOTO SENSER		
	P 1	QNZ0104-001	POST PIN		
	SW 1	QSW0832-001	LEAF SWITCH	R.REC	
	SW 2	QSW0832-001	LEAF SWITCH	TAPE	
	SW 4	QSW0832-001	LEAF SWITCH	70U	
	SW 5	QSW0832-001	LEAF SWITCH	F.REC	
	SW 6	QSW0507-001	SWITCH		

-MEMO-

Packing materials and accessories parts list

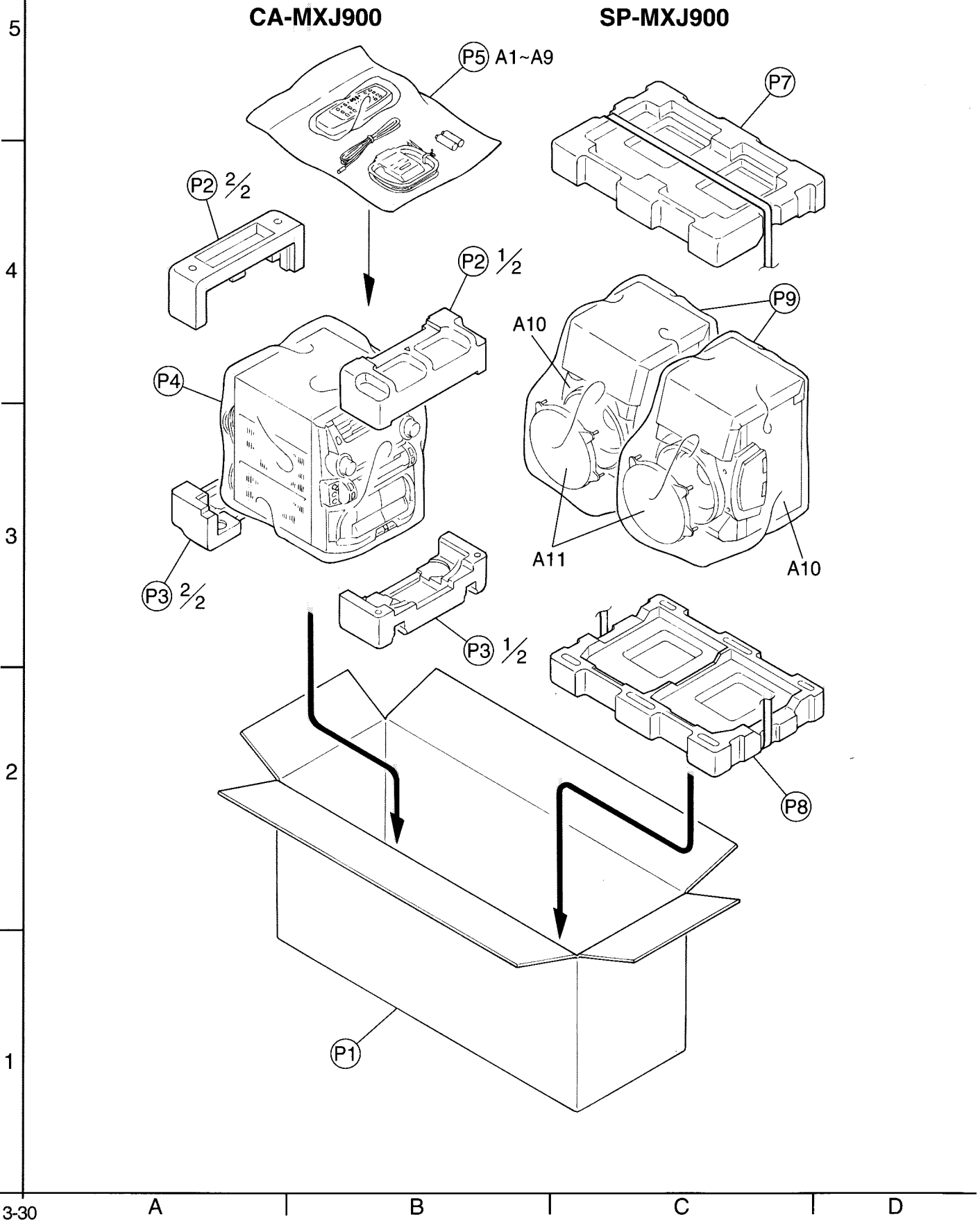
Block No.

M	5	M	M
---	---	---	---

Block No.

M	6	M	M
---	---	---	---

MX-J900



■ Packing parts list (MX-J900)

Block No. M5MM

△	Item	Parts number	Parts name	Q'ty	Description	Area
	P 1	GV20084-001A	PACKING CASE	1		
	P 2	GV10036-001A	TOP CUSHION	1		
	P 3	GV10037-001A	BOTTOM CUSHION	1		
	P 4	QPC06507015P	POLY BAG	1		
	P 5	QPC02503515P	POLY BAG	1		
	P 7	720-TJ900J-00	TOP CUSHION	1	FOR SPEAKER	
	P 8	720-BJ900J-00	BOTTOM CUSHION	1	FOR SPEAKER	
	P 9	700-120052-10	POLY BAG	2	FOR SPEAKER	

■ Accessories parts list (MX-J900)

Block No. M6MM

△	Item	Parts number	Parts name	Q'ty	Description	Area
	A 1	GVT0037-001A	INST BOOK	1	ENG	J
		GVT0037-002A	INST BOOK	1	ENG,FRE	C
	A 2	BT-52004-1	WARRANTY CARD	1		C
	A 3	BT-51020-2	REGIST CARD	1		J
	A 4	BT-20071B	JVC CENTER LIST	1		C
	A 5	QAL0014-001	AM LOOP ANT	1		
	A 6	EWP503-001	ANT.WIRE	1		
	A 8	-----	BATTERY	1		
	A 9	RM-SMXJ900J	REMOCON	1		
	A 10	MXJ900K-SPBOX-R	SPEAKER BOX(R)	1		
		MXJ900K-SPBOX-L	SPEAKER BOX(L)	1		
	A 11	201-00J900-10	SPEAKER NET	2		

Packing materials and accessories parts list

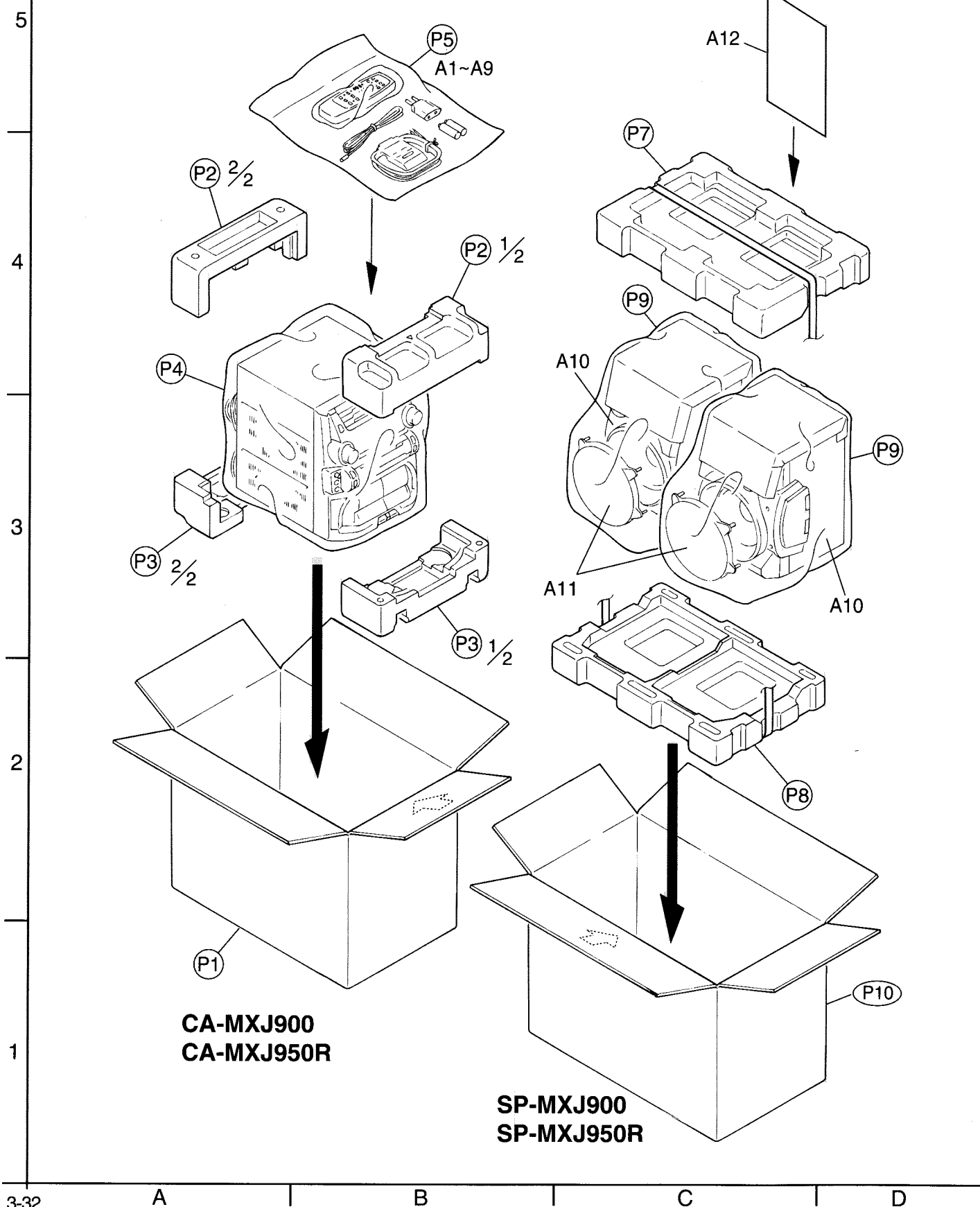
Block No.

M	7	M	M
---	---	---	---

Block No.

M	8	M	M
---	---	---	---

CA-MXJ900/SP-MXJ900
CA-MXJ950R/SP-MXJ950R



CA-MXJ900
CA-MXJ950R

SP-MXJ900
SP-MXJ950R

■ Packing parts list (CA-MXJ900/CA-MXJ950R/SP-MXJ900/SP-MXJ950R)

Block No. M7MM

A	Item	Parts number	Parts name	Q'ty	Description	Area
	P 1	GV10042-002A	PACKING CASE	1	CA-MXJ900	
		GV10042-003A	PACKING CASE	1	CA-MXJ950R	
	P 2	GV10034-001A	UPPER CUSHION	1		
	P 3	GV10035-001A	BOTTOM CUSHION	1		
	P 4	QPC06507015P	POLY BAG	1		
	P 5	QPC02503515P	POLY BAG	1		
	P 7	720-TJ900U-00	UPPER CUSHION	1	SP-MXJ900/SP-MXJ950R	
	P 8	720-BJ900U-00	BOTTOM CUSHION	1	SP-MXJ900/SP-MXJ950R	
	P 9	700-120052-10	POLY BAG	2	SP-MXJ900/SP-MXJ950R	
	P 10	730-00J900-10	PACKING CASE	1	SP-MXJ900	
		730-00J950-10	PACKING CASE	1	SP-MXJ950R	

■ Accessories parts list (CA-MXJ900/CA-MXJ950R/SP-MXJ900/SP-MXJ950R)

Block No. M8MM

A	Item	Parts number	Parts name	Q'ty	Description	Area
	A 1	GVT0037-003A	INSTRUCTION BOOK	1	ENG,SPA,POR,CHI,ARA	U
		GVT0037-008A	INSTRUCTION BOOK	1	ENG	B
		GVT0037-006A	INSTRUCTION BOOK	1	ENG,GER,FRE,DUT,SPA,ITA	E
		GVT0037-007A	INSTRUCTION BOOK	1	GER,FRE,DUT,SWE,DAN,FIN	EN
	A 2	BT-54013-1	WARRANTY CARD	1		B,E,EN
		BT-56004-6	WARRANTY CARD	1		U
	A 3	VNA3000-202	REGISTER CARD	1		B
	A 5	QAL0014-001	AM LOOP ANT	1		
	A 6	EWP503-001	ANT.WIRE	1		
	A 7	QAM0112-001	AC PLUG ADAPTER	1		
	A 8	-----	BATTERY	1		
	A 9	RM-SMXJ900U	REMOCON	1	CA-MXJ900	
		RM-SMXJ950R	REMOCON	1	CA-MXJ950R	
	A 10	MXJ900K-SPBOX-L	SPEAKER BOX(L)	1	SP-MXJ900/SP-MXJ950R	
		MXJ900K-SPBOX-R	SPEAKER BOX(R)	1	SP-MXJ900/SP-MXJ950R	
	A 11	201-00J900-10	SPEAKER NET	2	SP-MXJ900/SP-MXJ950R	
	A 12	GVT0040-001A	INST.BOOK(SP-MXJ900)	1	ENG,SPA,POR,CHI,ARA	
		GVT0041-001A	INST.BOOK(SP-MXJ950R)	1	ENG,GER,FRE,DUT,SPA,ITA SWE,FIN,DAN	

MX-J900
MX-J950R

JVC

VICTOR COMPANY OF JAPAN, LIMITED

AUDIO DIVISION, 10-1, 1chome, Ohwatari-machi, Maebashi-city, 371-8543, Japan